

en	Original instructions - Mitre saw	6
fr	Manuel d'utilisation original - Scie à onglets radiale	25
es	Manual de instrucciones original: sierra tronzadora	46

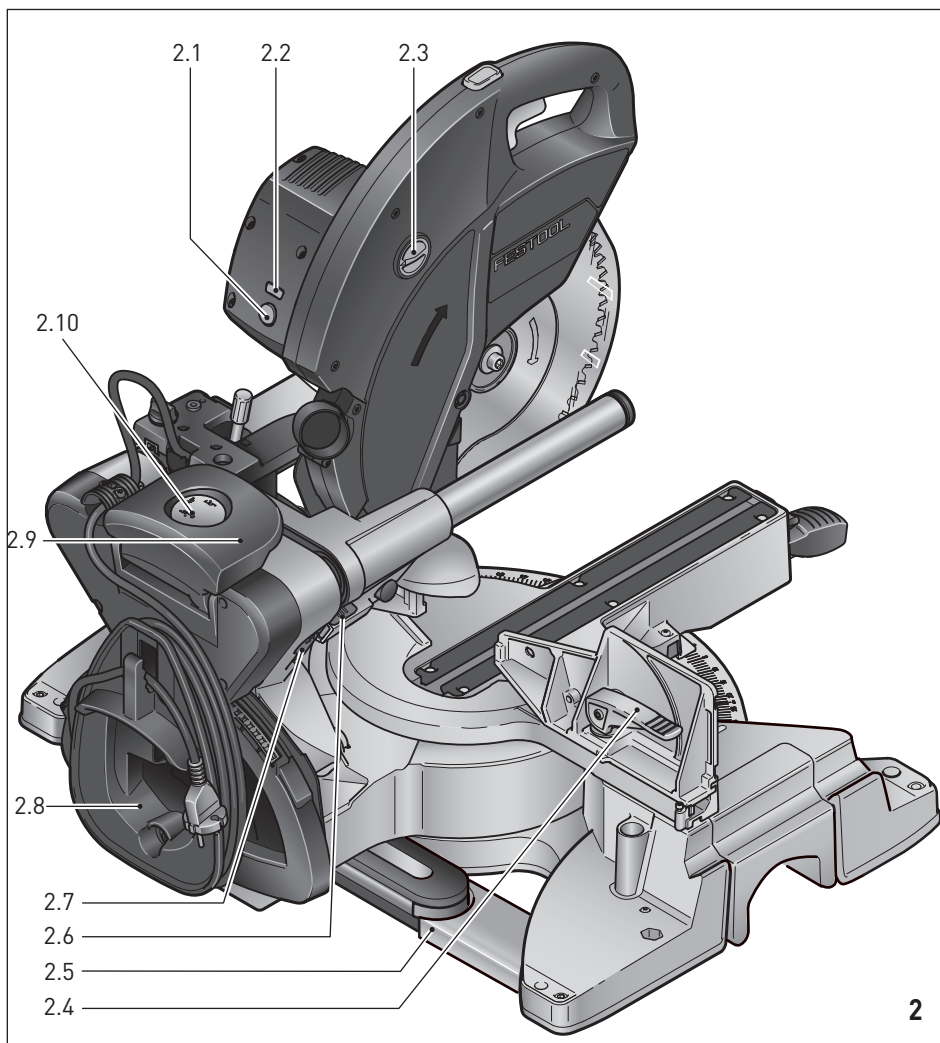
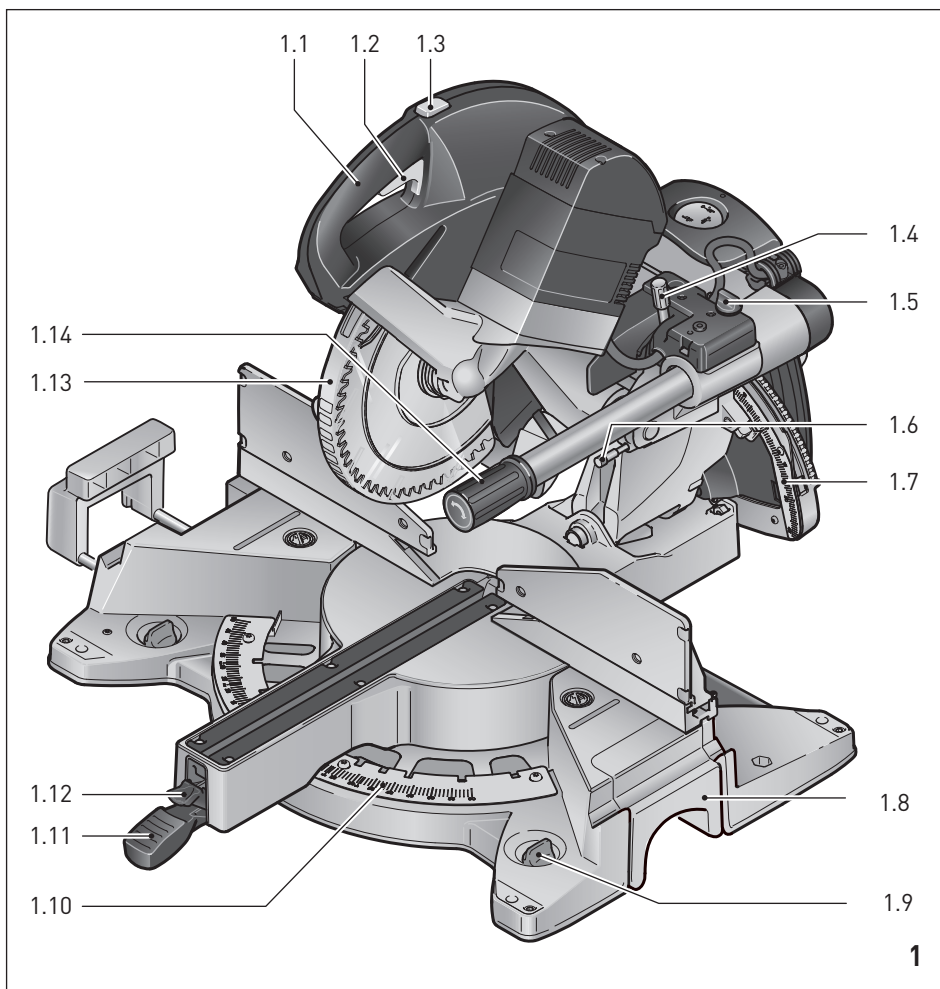


Read all instructions before using
Lire toutes les instructions avant de démarrer les travaux.
Lea y comprende todas las instrucciones antes de usar.



KAPEX KS 120 REB





Contents

1	Symbols.....	6
2	About this manual.....	7
3	Safety warnings.....	7
4	Intended use.....	11
5	Specifications.....	11
6	Parts of the machine.....	11
7	Operation.....	12
8	Settings.....	14
9	Working with the power tool.....	18
10	Service and maintenance.....	21
11	Accessories.....	24
12	Environment.....	24

1 Symbols



Warning of general danger



Warning of electric shock



Read the operating instructions and safety instructions.



Danger area! Keep hands away!



Wear protective goggles.



Wear a dust mask.



Wear ear protection.



Caution! Laser beams!



Wear protective gloves.



Do not dispose of it with domestic waste.



Safety class II



Tip or advice



Handling instruction



Electronics with adjustable and constant speed as well as temperature monitoring



FastFix Tool replacement



Quick-acting brake for safe work



Wood



Laminated wooden panels



Eternit fibre cement panel



Aluminium

W Watt

mm Millimetre

" Inch

rpm
min⁻¹ Revolutions per minute

A Ampere

V Volt

Hz Hertz

n₀ no load speed

kg Kilogram

lb. Pound

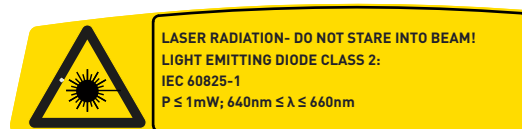
° angular degree

AVERTISSEMENT Portez une protection oculaire. Veillez à ce que votre corps, notamment vos mains, soit toujours en dehors de la trajectoire de la lame de scie. Tout contact avec la lame provoque des blessures graves. Contrôlez le système de protection pour vous assurer qu'il fonctionne correctement. N'effectuez aucune opération à main levée. N'approchez jamais vos mains de la lame de scie. Avant de déplacer la pièce à usiner ou de modifier des réglages, mettez l'appareil à l'arrêt et attendez jusqu'à ce que la lame de scie soit complètement immobile.

WARNING Wear eye protection. Keep hands and body out of the path of the saw blade. Contact with blade will result in serious injury. Check guarding system to make sure it is functioning correctly. Do not perform any operation freehand. Never reach around saw blade. Turn off tool and wait for saw blade to stop before moving workpiece or changing settings.

ADVERTENCIA Lleve protección ocular. Mantenga las manos y las demás partes del cuerpo alejadas de la trayectoria de la hoja de sierra. El contacto con la hoja ocasiona lesiones graves. Compruebe el sistema de protección para asegurarse de que funciona correctamente. No efectúe ninguna operación a mano alzada. Nunca se acerque demasiado a la hoja de sierra ni la toque. Desconecte la herramienta y espere a que la hoja se detenga antes de desplazar la pieza de trabajo o de modificar los ajustes.

WARNING wear eye protection. Keep hands and body out of the path of the saw blade. Contact with blade will result in serious injury. Check guarding system to make sure it is functioning correctly. Do not perform any operation freehand. Never reach around saw blade. Turn off tool and wait for saw blade to stop before moving workpiece or changing settings.



LASER BEAM do not look in the beam !Light emitting diode class 2, EN 60825-1 P ≤ 1 mW; 640 nm ≤ λ ≤ 660 nm.

2 About this manual

Save these instructions

It is important for you to read and understand this manual. The information it contains relates to protecting **your safety** and **preventing problems**. The symbols below are used to help you recognize this information.



DANGER Description of imminent hazard and failure to avoid hazard will result in death.



WARNING Description of hazard and possible resulting injuries or death.



CAUTION Description of hazard and possible resulting injuries.

NOTICE Description of possible damage of the device or its surroundings.

3 Safety warnings

3.1 General power tool safety warnings



WARNING! Read all safety warnings, instructions, illustrations and specifications provided with this power tool. Failure to follow all instructions listed below may result in electric shock, fire and/or serious injury.

Save all warnings and instructions for future reference.

The term "power tool" in the warnings refers to your mains-operated (corded) power tool or battery-operated (cordless) power tool.

1 WORK AREA SAFETY

- Keep work area clean and well lit.** Cluttered or dark areas invite accidents.
- Do not operate power tools in explosive atmospheres, such as in the presence of flammable liquids, gases or dust.** Power tools create sparks which may ignite the dust or fumes.
- Keep children and bystanders away while operating a power tool.** Distractions can cause you to lose control.

2 ELECTRICAL SAFETY

- Power tool plugs must match the outlet. Never modify the plug in any way. Do not use any adapter plugs with earthed (grounded) power tools.** Unmodified plugs and matching outlets will reduce risk of electric shock.

- Avoid body contact with earthed or grounded surfaces, such as pipes, radiators, ranges and refrigerators.** There is an increased risk of electric shock if your body is earthed or grounded.
- Do not expose power tools to rain or wet conditions.** Water entering a power tool will increase the risk of electric shock.
- Do not abuse the cord. Never use the cord for carrying, pulling or unplugging the power tool. Keep cord away from heat, oil, sharp edges or moving parts.** Damaged or entangled cords increase the risk of electric shock.
- When operating a power tool outdoors, use an extension cord suitable for outdoor use.** Use of a cord suitable for outdoor use reduces the risk of electric shock.
- If operating a power tool in a damp location is unavoidable, use a residual current device (RCD) protected supply.** Use of an RCD reduces the risk of electric shock.

3 PERSONAL SAFETY

- Stay alert, watch what you are doing and use common sense when operating a power tool. Do not use a power tool while you are tired or under the influence of drugs, alcohol or medication.** A moment of inattention while operating power tools may result in serious personal injury.
- Use personal protective equipment. Always wear eye protection.** Protective equipment such as a dust mask, non-skid safety shoes, hard hat or hearing protection used for appropriate conditions will reduce personal injuries.
- Prevent unintentional starting. Ensure the switch is in the off-position before connecting to power source and/or battery pack, picking up or carrying the tool.** Carrying power tools with your finger on the switch or energising power tools that have the switch on invites accidents.
- Remove any adjusting key or wrench before turning the power tool on.** A wrench or a key left attached to a rotating part of the power tool may result in personal injury.
- Do not overreach. Keep proper footing and balance at all times.** This enables better control of the power tool in unexpected situations.
- Dress properly. Do not wear loose clothing or jewellery. Keep your hair and cloth-**

- ing away from moving parts.** Loose clothes, jewellery or long hair can be caught in moving parts.
- g. **If devices are provided for the connection of dust extraction and collection facilities, ensure these are connected and properly used.** Use of dust collection can reduce dust-related hazards.
- h. **Do not let familiarity gained from frequent use of tools allow you to become complacent and ignore tool safety principles.** A careless action can cause severe injury within a fraction of a second.

4 POWER TOOL USE AND CARE

- a. **Do not force the power tool. Use the correct power tool for your application.** The correct power tool will do the job better and safer at the rate for which it was designed.
- b. **Do not use the power tool if the switch does not turn it on and off.** Any power tool that cannot be controlled with the switch is dangerous and must be repaired.
- c. **Disconnect the plug from the power source and/or remove the battery pack, if detachable, from the power tool before making any adjustments, changing accessories, or storing power tools.** Such preventive safety measures reduce the risk of starting the power tool accidentally.
- d. **Store idle power tools out of the reach of children and do not allow persons unfamiliar with the power tool or these instructions to operate the power tool.** Power tools are dangerous in the hands of untrained users.
- e. **Maintain power tools and accessories. Check for misalignment or binding of moving parts, breakage of parts and any other condition that may affect the power tool's operation. If damaged, have the power tool repaired before use.** Many accidents are caused by poorly maintained power tools.
- f. **Keep cutting tools sharp and clean.** Properly maintained cutting tools with sharp cutting edges are less likely to bind and are easier to control.
- g. **Use the power tool, accessories and tool bits etc. in accordance with these instructions, taking into account the working conditions and the work to be performed.** Use of the power tool for operations different from those intended could result in a hazardous situation.

- h. **Keep handles and grasping surfaces dry, clean and free from oil and grease.** Slippery handles and grasping surfaces do not allow for safe handling and control of the tool in unexpected situations.

5 SERVICE

- a. **Have your power tool repaired by qualified specialists only and always use original spare parts.** This ensures that the safety of the power tool is maintained.
- b. **Only use original parts for repairs and maintenance.** The use of incompatible accessories or spare parts can result in electric shocks or other injuries.

3.2 Safety instructions for mitre saws

- **Mitre saws are intended to cut wood or wood-like products, they cannot be used with abrasive cut-off wheels for cutting ferrous material such as bars, rods, studs, etc.** Abrasive dust causes moving parts such as the lower guard to jam. Sparks from abrasive cutting will burn the lower guard, the kerf insert and other plastic parts.
- **Use clamps to support the workpiece whenever possible. If supporting the workpiece by hand, you must always keep your hand at least 100 mm from either side of the saw blade. Do not use this saw to cut pieces that are too small to be securely clamped or held by hand.** If your hand is placed too close to the saw blade, there is an increased risk of injury from blade contact.
- **The workpiece must be stationary and clamped or held against both the fence and the table. Do not feed the workpiece into the blade or cut "freehand" in any way.** Unrestrained or moving workpieces could be thrown at high speeds, causing injury.
- **Push the saw through the workpiece. Do not pull the saw through the workpiece. To make a cut, raise the saw head and pull it out over the workpiece without cutting start the motor, press the saw head down and push the saw through the workpiece.** Cutting on the pull stroke is likely to cause the saw blade to climb on top of the workpiece and violently throw the blade assembly towards the operator.
- **Never cross your hand over the intended line of cutting either in front or behind the**

- saw blade.** Supporting the workpiece “cross handed” i.e. holding the workpiece to the right of the saw blade with your left hand or vice versa is very dangerous.
- **Do not reach behind the fence with either hand closer than 100 mm from either side of the saw blade, to remove wood scraps, or for any other reason while the blade is spinning.** The proximity of the spinning saw blade to your hand may not be obvious and you may be seriously injured.
 - **Inspect your workpiece before cutting. If the workpiece is bowed or warped, clamp it with the outside bowed face toward the fence. Always make certain that there is no gap between the workpiece, fence and table along the line of the cut.** Bent or warped workpieces can twist or shift and may cause binding on the spinning saw blade while cutting. There should be no nails or foreign objects in the workpiece.
 - **Do not use the saw until the table is clear of all tools, wood scraps, etc., except for the workpiece.** Small debris or loose pieces of wood or other objects that contact the revolving blade can be thrown with high speed.
 - **Cut only one workpiece at a time.** Stacked multiple workpieces cannot be adequately clamped or braced and may bind on the blade or shift during cutting.
 - **Ensure the mitre saw is mounted or placed on a level, firm work surface before use.** A level and firm work surface reduces the risk of the mitre saw becoming unstable.
 - **Plan your work. Every time you change the bevel or mitre angle setting, make sure the adjustable fence is set correctly to support the workpiece and will not interfere with the blade or the guarding system.** Without turning the tool “ON” and with no workpiece on the table, move the saw blade through a complete simulated cut to assure there will be no interference or danger of cutting the fence.
 - **Provide adequate support such as table extensions, saw horses, etc. for a workpiece that is wider or longer than the table top.** Workpieces longer or wider than the mitre saw table can tip if not securely supported. If the cut-off piece or workpiece tips, it can lift the lower guard or be thrown by the spinning blade.
 - **Do not use another person as a substitute for a table extension or as additional support.** Unstable support for the workpiece can cause the blade to bind or the workpiece to shift during the cutting operation pulling you and the helper into the spinning blade.
 - **The cut-off piece must not be jammed or pressed by any means against the spinning saw blade.** If confined, i.e. using length stops, the cut-off piece could get wedged against the blade and thrown violently.
 - **Always use a clamp or a fixture designed to properly support round material such as rods or tubing.** Rods have a tendency to roll while being cut, causing the blade to “bite” and pull the work with your hand into the blade.
 - **Let the blade reach full speed before contacting the workpiece.** This will reduce the risk of the workpiece being thrown.
 - **If the workpiece or blade becomes jammed, turn the mitre saw off. Wait for all moving parts to stop and disconnect the plug from the power source and/or remove the battery pack. Then work to free the jammed material.** Continued sawing with a jammed workpiece could cause loss of control or damage to the mitre saw.
 - **After finishing the cut, release the switch, hold the saw head down and wait for the blade to stop before removing the cut-off piece.** Reaching with your hand near the coasting blade is dangerous.
 - **Hold the handle firmly when making an incomplete cut or when releasing the switch before the saw head is completely in the down position.** The braking action of the saw may cause the saw head to be suddenly pulled downward, causing a risk of injury.
- ### 3.3 Tools and tool parts
-
- **Always use the correct size of saw blade with a compatible location hole (e.g. star-shaped or circular).** Saw blades that do not fit correctly with the assembly parts will run unevenly and may cause fragments to break off from the material and be ejected. These fragments may hit the eyes of the user or any persons standing in the vicinity.
 - Deformed or cracked saw blades and saw blades with blunt or broken cutting edges must not be used.

- Only use saw blades that are designed for at least the maximum speed of the saw.
- Only transport the saw blade in suitable packaging. We recommend you use the original packaging.
- Use only saw blades recommended by the tool manufacturer, and suitable for sawing the materials to be cut. This prevents overheating of the saw teeth during sawing.

3.4 Further safety instructions

- **Only use saw blades that correspond to the specifications for intended use.** Saw blades that do not fit correctly with the assembly parts will run unevenly and may cause fragments to break off from the material and be ejected. These fragments may hit the eyes of the user or any persons standing in the vicinity.
- **Only use saw blades with a chip angle $\leq 0^\circ$.** A chip angle $> 0^\circ$ will pull the saw into the workpiece. There is a risk of injury caused by saw kickback and the rotating workpiece.
- **Before each use, check that the pendulum guard is working correctly.** Only use this power tool when it is in perfect working order.
- **Never reach into the chip ejector with your hands.** Rotating parts may injure your hands.
- **Dust that is harmful to your health may be produced as you work (e.g. paint products containing lead and some types of wood).** Contact with or inhalation of this dust may pose a risk for the operating personnel or persons in the vicinity. Observe the safety regulations that apply in your country.



- Wear a P2 respiratory mask to protect your health. In enclosed spaces, ensure that there is sufficient ventilation and connect a mobile dust extractor.
- Replace any sawn-off or damaged limit stops. Damaged limit stops may be ejected when you work with the saw. Any persons standing in the vicinity of the saw may be injured.
- **Only use original Festool accessories and consumables.** Only accessories tested and approved by Festool are safe and perfectly adapted to the machine and application.
- The power tool should only be used indoors and in a dry environment.

3.5 Aluminium processing



When sawing aluminium, the following measures must be taken for safety reasons:

- Install an upstream residual-current circuit breaker (RCD, PRCD).
- Connect the power tool to a suitable dust extractor.
- Regularly clean dust deposits from the motor housing on the power tool.
- Use an aluminium saw blade.



Wear protective goggles.

3.6 Laser-specific safety information

- **Never direct the laser beam at people.** It may cause accidents as a result of the glare.
- **Never look directly into the laser beam or its reflection.** However, if you make direct contact with the laser beam, close your eyes immediately and move your head from the beam. Direct eye contact with the laser beam can cause damage to the eye.
- **Do not make any modifications to the laser.** A modified laser can generate additional risks.

3.7 Other risks

In spite of compliance with all relevant design regulations, dangers may still present themselves when the machine is operated, e.g.:

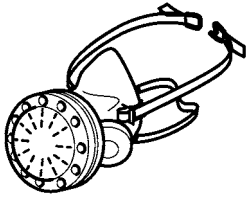
- Touching rotating parts from the side: Saw blade, clamping flange, flange screw,
- Touching live parts when the housing is open and the mains plug is still plugged in,
- Workpiece parts being thrown off,
- Parts of damaged tools being thrown off,
- Noise emissions,
- Dust emissions.

3.8 Health hazard by dust



WARNING! various dust created by power sanding, sawing, grinding, drilling and other construction activities contains chemicals known (to the State of California) to cause cancer, birth defects or other reproductive harm. Some examples of these chemicals are:

- lead from lead-based paints,
- crystalline silica from bricks and cement and other masonry products, and
- arsenic and chromium from chemically treated lumber.



The risk from these exposures varies, depending on how often you do this type of work. To reduce your exposure to these chemicals: work in a well ventilated area, and work with approved safety equipment, such as dust masks that are specially designed to filter out microscopic particles. Wash hands after handling.



WARNING

TO REDUCE THE RISK OF INJURY, USER MUST READ INSTRUCTION MANUAL.

4 Intended use

The power tool is a stationary unit designed for sawing blocks of wood, plastic and similar materials. Do not use it to process other materials, in particular steel, concrete and mineral materials.

When fitted with the special saw blades offered by Festool, these machines can also be used for sawing unhardened ferrous metal and non-ferrous metal.



The user is liable for improper or non-intended use.

4.1 Saw blades

The saw blades must comply with the following data:

- Saw blade diameter 10-1/4" (260 mm)
- Cutting width 3/32" (2.5 mm) (corresponds to the tooth width)
- Locating bore 1-3/16" (30 mm)
- Standard blade thickness 1/16" (1.8 mm)
- Saw blade in accordance with EN 847-1
- Saw blade with chip angle $\leq 0^\circ$

Festool saw blades comply with EN 847-1.

Only saw materials for which the saw blade in question has been designed.

5 Specifications

Mitre saw	KS 120 REB
Performance	13 A
Speed (idle)	1400–3600 rpm
Tool spindle dia.	1-3/16" (30 mm)

Mitre saw	KS 120 REB
Weight according to EPTA-Procedure 01:2014	52 lb. (24 kg)
For maximum workpiece dimensions see the section on Working with the power tool.	

6 Parts of the machine

- [1.1]** Handle
- [1.2]** On/off switch
- [1.3]** Safety lock
- [1.4]** Cutting depth limiter lever
- [1.5]** Rotary knob for clamping the pulling unit
- [1.6]** Transport lock
- [1.7]** Scale for mitre angle (vertical)
- [1.8]** Extension table
- [1.9]** Rotary knob for extension table
- [1.10]** Scale for mitre angle (horizontal)
- [1.11]** Clamping lever for mitre angle (horizontal)
- [1.12]** Notch lever for preset mitre angle (horizontal)
- [1.13]** Pendulum guard
- [1.14]** Rotary handle for precision adjustment of mitre angle (vertical)
- [2.1]** On/off switch for laser
- [2.2]** Speed adjusting wheel
- [2.3]** FastFix spindle stop
- [2.4]** Clamping lever for stop ruler
- [2.5]** Bevel holder
- [2.6]** Release lever for special cutting position
- [2.7]** Lever for special cutting position
- [2.8]** Cable winder with integral carry handle
- [2.9]** Clamping lever for mitre angle (vertical)
- [2.10]** Selector switch for mitre angle range (vertical)

The pictures for the functional description are on a fold-out page at the beginning of the instruction manual. While reading the manual

you can fold out the page for comparison and quick reference.

7 Operation



WARNING

Unauthorised voltage or frequency.

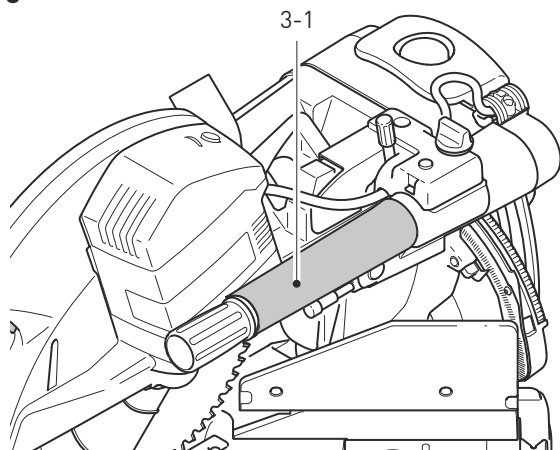
Risk of accidents

- ▶ The mains voltage and the frequency of the power source must correspond to the specifications on the name plate.
- ▶ In North America, only Festool machines with the voltage specifications 120 V / 60 Hz may be used.

Before initial operation

- Remove the transport safety device [3.1] on the guide rod.

3



Switching on/off

- Press the on/off switch until you feel resistance in order to unlock the saw unit and the pendulum guard.
- Press the safety lock [1.3].
- Press the on/off switch [1.2] all the way in to switch on the machine.
- Release the on/off switch again to switch off the machine.

7.1 Setting up the machine



WARNING

Risk of injury, electric shock

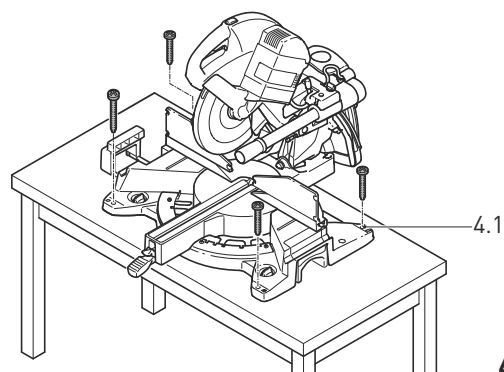
- ▶ Always disconnect the mains plug from the socket before performing any work on the machine.

Install the machine on a level and stable work surface before using it (e.g. the UG-KAPEX un-

derframe, the MFT multifunction table or a workbench).

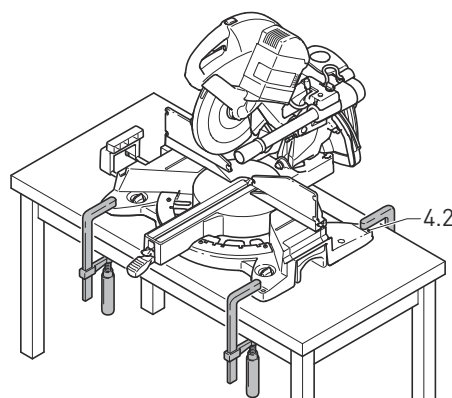
You have the following installation options

Screws: Use four screws to secure the machine to the work surface. Use the holes [4.1] at the four support points on the saw table to do this.



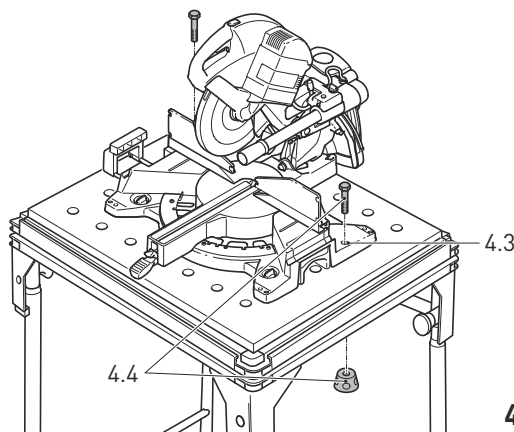
4a

Fastening clamps: Use four fastening clamps to secure the machine to the work surface. The flat surfaces [4.2] at the four support points on the saw table can be used as clamping surfaces.



4b

Clamping set (for MFT): Secure the machine onto the Festool MFT multifunction table using the clamping set [4.4, 494693]. Use the two screw holes [4.3] to do this.

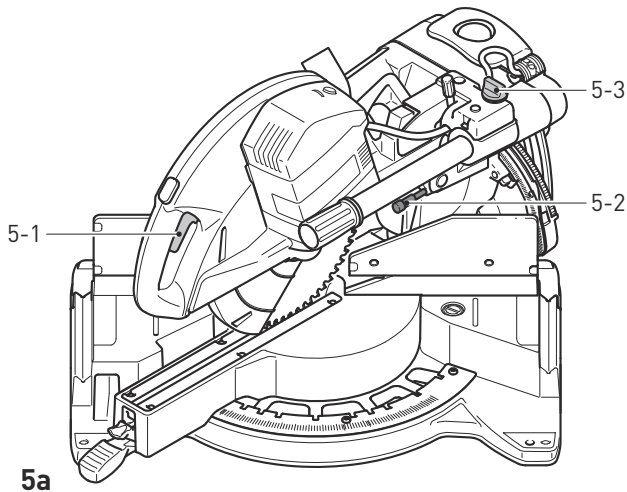


4c

UG-KAPEX underframe: attach the machine to the underframe as described in the assembly instructions which accompany the underframe.

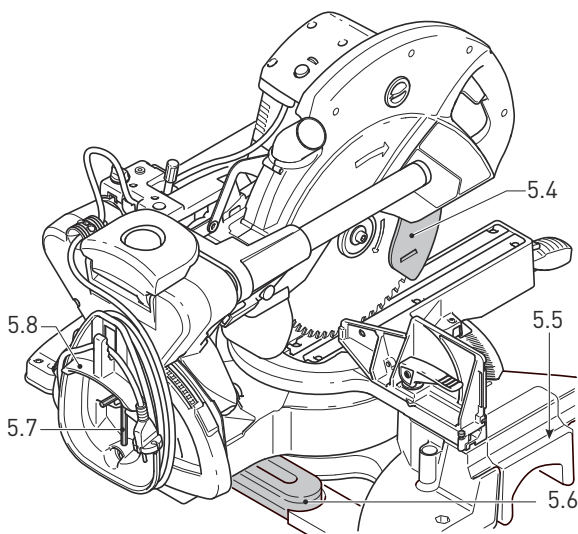
7.2 Transportation

Securing the machine (transport position)



5a

- ▶ Press the on/off switch **[5.1]**.
- ▶ Swivel the saw unit down all the way to the stop.
- ▶ Press the lock **[5.2]**. The saw unit will now remain in the lower position.
- ▶ Tighten the rotary knob **[5.3]** to secure the saw unit in the rear position.



5b

- ▶ Wrap the power cable onto the cable winder **[5.8]** for transport.
- ▶ Put the hex key **[5.7]** and the bevel **[5.6]** away in the holders intended for this purpose.



WARNING

Risk of injury

- ▶ Never lift or carry the machine by the movable pendulum guard **[5.4]**.
- ▶ To carry the machine, hold it by the side of the saw table **[5.5]** and by the carry handle **[5.8]** in the cable winder.

Unlocking the machine (working position)

- ▶ Push the saw unit down slightly and pull the transport safety device **[5.2]**.
- ▶ Swivel the saw unit upwards.
- ▶ Unscrew the rotary knob **[5.3]**.

7.3 Extension Cord

If an extension cord is required, it must have sufficient cross-section to prevent an excessive drop in voltage or overheating. An excessive drop in voltage reduces the output and can lead to failure of the motor. The table below shows you the correct cord diameter as a function of the cord length for this tool.

Cord Size in A.W.G

Tool`s Ampere Rating	Cord Length in Feet			
	25	50	100	150
3-6	18	16	16	14
6-8	18	16	14	12
8-10	18	16	14	12
10-12	16	16	14	12
12-16	14	12	-	-

Wire Sizes in mm²

Tool`s Ampere Rating	Cord Length in Meters			
	15	30	60	120
3-6	0.75	0.75	1.5	2.5
6-8	0.75	1.0	2.5	4.0
8-10	0.75	1.0	2.5	4.0
10-12	1.0	2.5	4.0	-
12-16	-	-	-	-

Use only NRTL listed extension cords.

Never use two extension cords together. Instead, use one long one.

(i) The lower the AWG number, the stronger the cord.

8 Settings

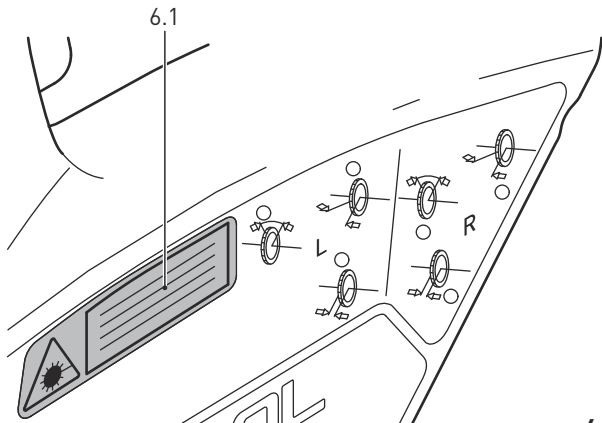


WARNING

Risk of injury, electric shock

- ▶ Always disconnect the mains plug from the socket before performing any work on the machine.

Replace the adhesive warning label **[6.1]** for the laser with the label in your language that is enclosed with the tool.



6

8.1 Selecting the saw blade

Festool saw blades are identified by a coloured ring. The colour of the ring represents the material for which the saw blade is suited.

Colour	Material	Symbol
Yellow	Wood	
Red	Laminated wooden panels	
Green	Eternit fibre cement panels	
Blue	Aluminium, plastic	

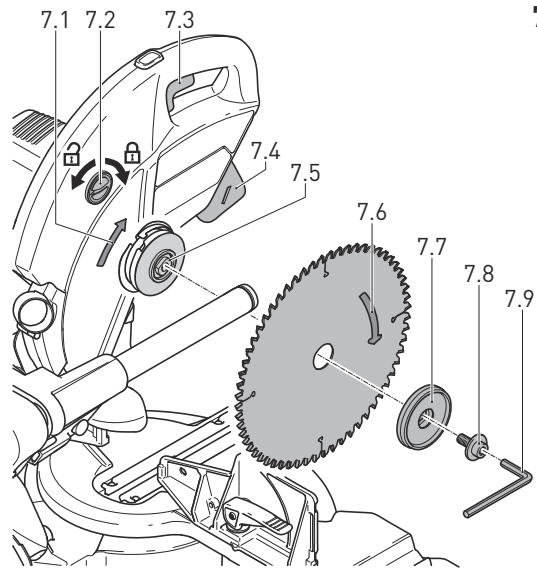
8.2 Tool replacement



WARNING

Risk of injury

- ▶ Observe the following instructions:



7

- Disconnect the mains plug from the socket before changing tools.
- Only use the spindle stop **[7.2]** when the saw blade is at a standstill.
- The saw blade becomes very hot during operation; do not touch it before it has cooled down.
- Wear protective gloves due to the risk of injury from sharp blades while changing tools.

Removing the saw blade

- ▶ Move the machine into the working position.
- ▶ Press the spindle stop **[7.2]** and turn it clockwise by 90°.
- ▶ Fully loosen the screw **[7.8]** using the hex key **[7.9]** (left-hand thread).
- ▶ Press the on/off switch **[7.3]** and open the lock of the pendulum guard.
- ▶ Fully open the pendulum guard **[7.4]**.
- ▶ Remove the clamping flange **[7.7]** and the saw blade.

Fitting the saw blade

- ▶ Clean all parts before installing them (saw blade, flange, screw).
- ▶ Place the saw blade on the tool spindle **[7.5]**.

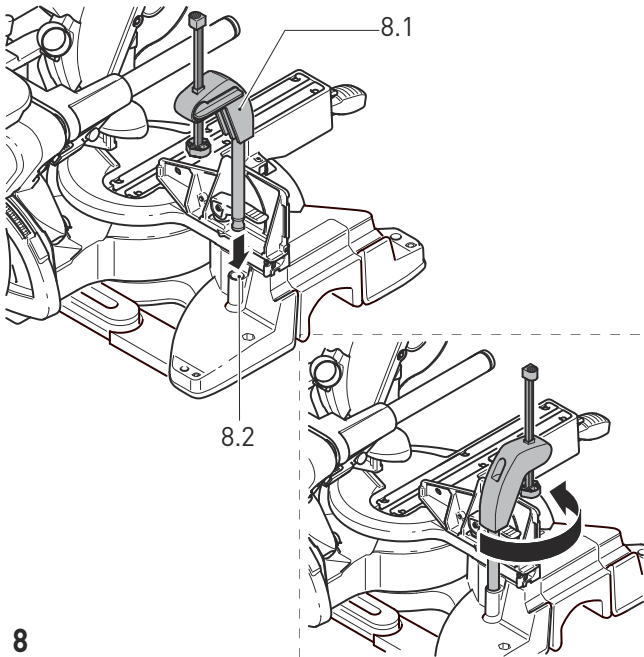


WARNING

Risk of injury

- ▶ Make sure that the rotational directions of the saw blade **[7.6]** and the machine **[7.1]** correspond to each other.
- ▶ Secure the saw blade with the flange **[7.7]** and the screw **[7.8]**.
- ▶ Firmly tighten the screw **[7.8]** (left-hand thread).
- ▶ Press the spindle stop **[7.2]** and turn it anti-clockwise by 90°.

8.3 Workpiece clamp



8

Fitting the workpiece clamp

- ▶ Fit the workpiece clamp [8.1] into one of the two holes [8.2]. The clamping unit must point towards the rear.
- ▶ Twist the workpiece clamp so that the clamping unit faces forward.

8.4 Dust extraction



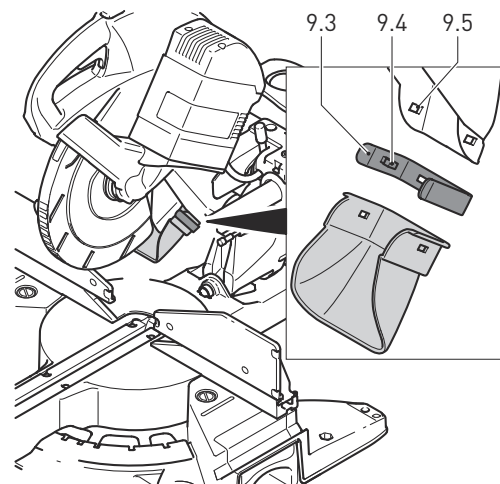
WARNING

Health hazard posed by dust

- ▶ Always work with an extractor.
- ▶ Only use a dust extractor designed to collect the specific type of dust and particles from the material being cut.
- ▶ Follow OSHA and NFPA regulations to ensure a safe work environment.

(1-7/16" (36 mm) recommended due to the reduced risk of clogging) can be connected to the extractor connector [9.1].

The flexible chip deflector [9.2] improves the collection of dust and chips. Therefore, never work without a fitted chip deflector.



9b

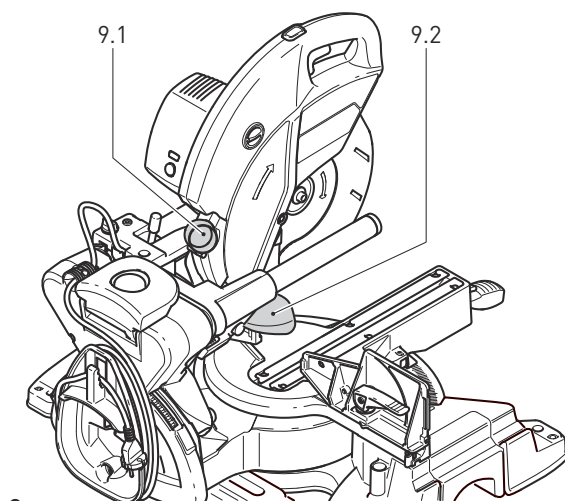
The chip deflector is clamped in position on the guard with the clamp [9.3]. For this, the hooks [9.4] of the clamp must lock into the recesses [9.5] of the guard.

8.5 Adjusting the table extension

- ▶ Open the rotary knob [1.9].
- ▶ Pull out the table extension [1.8] far enough that the workpiece is laid out fully.
- ▶ Close the rotary knob.

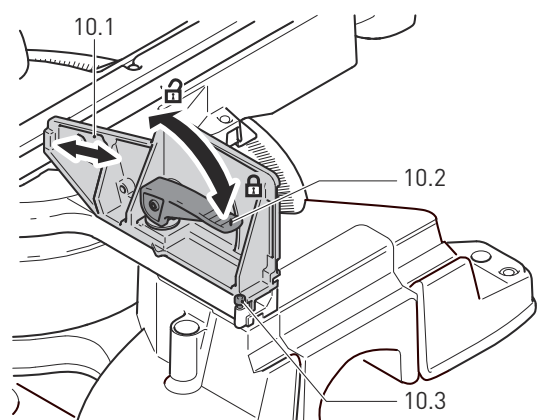
ⓘ If, despite the table extension being extended as far as possible, the workpiece protrudes over the table, the workpiece must be supported by other means.

8.6 Workpiece stop



9a

A Festool dust extractor with an extractor hose diameter of 1-7/16" or 1-16" (36 mm or 27 mm).



10

Adjusting the stop ruler

For mitre cuts, you must adjust the stop rulers [10.1] so that they do not impede the functionality of the pendulum guard or come into contact with the saw blade.

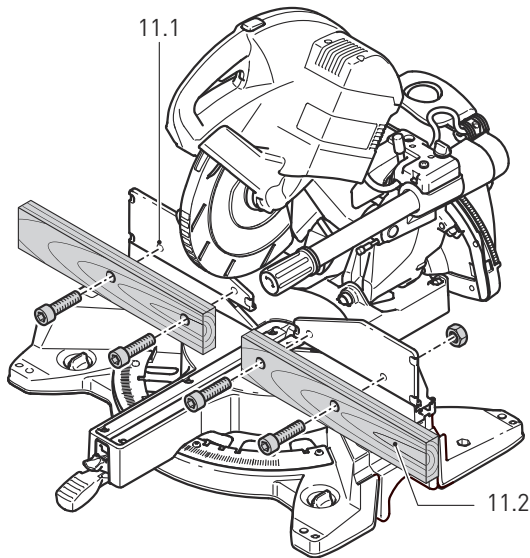
- ▶ Open the clamping lever **[10.2]**.
- ▶ Move the stop ruler until the shortest distance to the saw blade when working is a maximum of 3/16" (4.5 mm).
- ▶ Close the clamping lever again.

Removing the stop ruler

A stop ruler may need to be removed for some mitre cuts, since it may otherwise collide with the saw unit.

- ▶ Insert the screw **[10.3]** into the threaded hole and tighten it as far as possible (downwards).
- ▶ You will then be able to pull out the stop ruler sideways.
- ▶ Loosen the screw again by three rotations once you have reinserted the stop ruler.

Auxiliary stop



11

To increase the stop area, you can install an auxiliary stop made of wood **[11.2]** in the holes **[11.1]** in each of the two stop rulers. This allows you to set up larger workpieces more securely.

In doing this, be aware of the following:

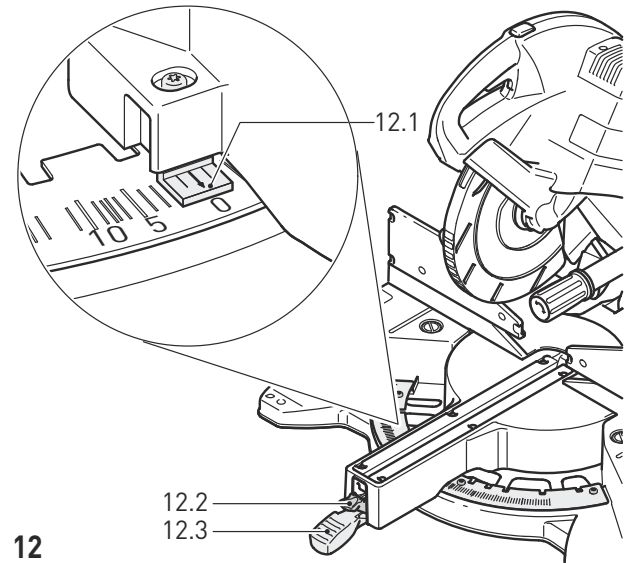
- The screws you use to secure the auxiliary stops must not protrude from the surface.
- The auxiliary stops must only be used for 0° cuts.
- The auxiliary stops must not impede the functionality of the guards.

8.7 Horizontal mitre angle

The horizontal mitre angle can be continuously adjusted between 50° (left side) and 60° (right side). In addition, there are snap-in positions for common mitre angles.

The arrow of the indicator **[12.1]** points to the set horizontal mitre angle. The two markings on the right and left of the indicator arrow enable

precise setting of half-degree angles. For this to work, both of these markings must line up with the degree dashes on the scale.



12

Standard horizontal mitre angles

The following mitre angles have snap-in positions:

Left: 0°, 15°, 22.5°, 30°, 45°

Right: 0°, 15°, 22.5°, 30°, 45°, 60°

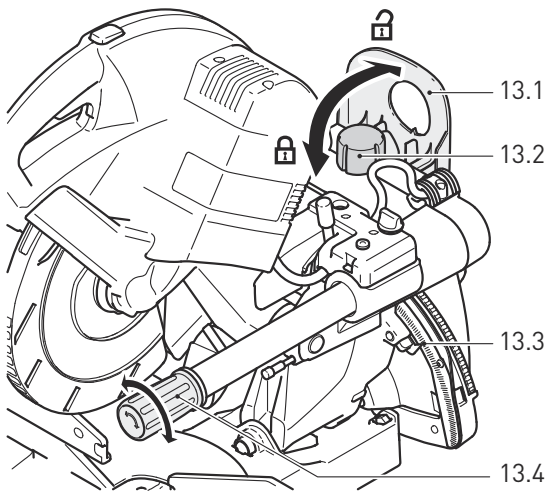
- ▶ Move the machine into the working position.
- ▶ Pull the clamping lever **[12.3]** upwards.
- ▶ Press the notch lever **[12.2]** downwards.
- ▶ Rotate the saw table until you get to the mitre angle you want.
- ▶ Release the notch lever. You must feel the notch lever engage.
- ▶ Press the clamping lever downwards.

Optional horizontal mitre angles

- ▶ Move the machine into the working position.
- ▶ Pull the clamping lever **[12.3]** upwards.
- ▶ Press the notch lever **[12.2]** downwards.
- ▶ Rotate the saw table until you get to the mitre angle you want.
- ▶ Press the clamping lever downwards.
- ▶ Release the notch lever.

8.8 Vertical mitre angle

- ▶ Move the machine into the working position.
- ▶ Open the clamping lever **[13.1]**.
- ▶ Turn the selector switch **[13.2]** to the adjustment range you would like (0°–45°, +/-45° or +/-47°).
- ▶ Swivel the saw unit until the indicator **[13.3]** points to the mitre angle you would like. You can fine-tune the setting of the vertical mitre angle using the rotary handle for precision adjustment **[13.4]**.
- ▶ Close the clamping lever **[13.1]** again.

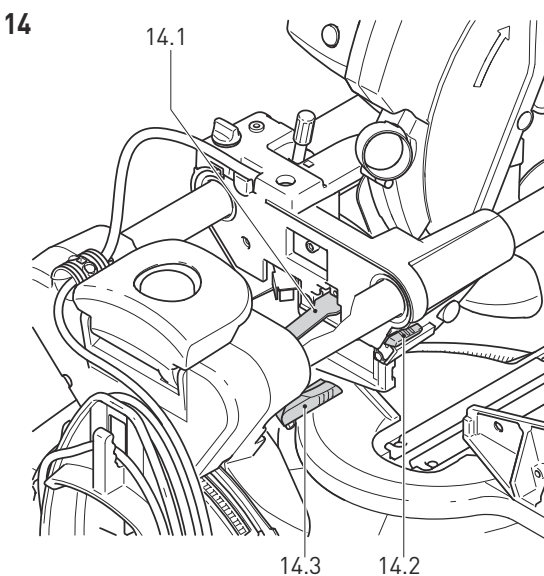


13

8.9 Special cutting position

Besides the usual position for cutting or trimming boards/panels, the machine has a special cutting position for trimming slats with heights of up to 4-3/4" (120 mm).

- ▶ Pull the saw unit forwards.
- ▶ Swivel the lever **[14.3]** downwards.
- ▶ Push the saw unit back until the metal bracket **[14.1]** hooks into the rear opening of the saw unit.
- ▶ In this position, you can now trim slats of up to 4-3/4" (120 mm) in height at the stop. The pull function and the vertical swivel function of the mitre saw are deactivated, however.
- ▶ To bring the machine back into its standard position, press the release lever **[14.2]** and pull the saw unit forwards. This will unhook the metal bracket **[14.1]** and the lever **[14.3]** will swivel back.



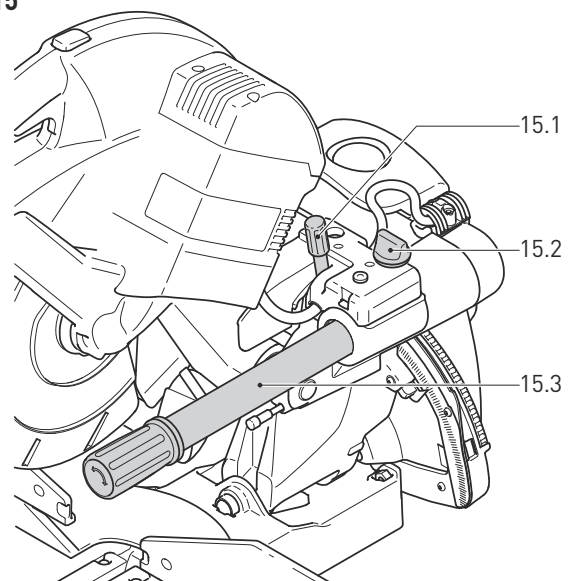
14

8.10 Cutting depth limiter

The continuously adjustable cutting depth limiter can be used to set the vertical swivelling range of the saw unit. Doing this enables workpieces to be grooved or faced.

- ⓘ Be aware of the limited grooving range: Continuous adjustment is only possible within the range 0 to 1-12/16" (0 to 45 mm). The possible length of the groove is also limited. E.g.: At a groove depth of 1-14/16" (48 mm) and a workpiece thickness of 3-1/2" (88 mm), this range lies between 1-1/2" and 10-5/8" (40 and 270 mm).
- ▶ Move the machine into the working position.
- ▶ Swivel the lever for the cutting depth limiter **[15.1]** downwards until it clicks into place. The saw unit can now be swivelled down only as far as the preset cutting depth.
- ▶ Set the cutting depth you would like by turning the cutting depth limiter lever.
- ▶ To deactivate the cutting depth limiter, swivel the cutting depth limiter lever back up again.

15



8.11 Fixed horizontal position

You can clamp the saw unit in place in any position you want along the guide rods **[15.3]** using the rotary knob **[15.2]**.

8.12 Switching on the laser

The machine has two lasers which mark the kerf to the left and right of the saw blade. You can use them to align the workpiece on both sides (left or right side of the saw blade/kerf).

- ▶ Press the button **[2.1]** to switch the laser on or off. If the machine is not in use for 30 minutes, the laser will automatically switch itself off and must be switched on again.

9 Working with the power tool



WARNING

Flying tool parts/workpiece parts

Risk of injury

- ▶ Wear protective goggles.
- ▶ Ensure that no other persons are close to the machine while it is being used.
- ▶ Always clamp workpieces tightly.
- ▶ The clamps must be fully laid out.



WARNING

The pendulum guard does not close

Risk of injury

- ▶ Stop the sawing process.
- ▶ Unplug the mains cable and remove the wood waste. If the pendulum guard is damaged, replace it.



WARNING

Risk of injury

- ▶ Observe the following instructions:
 - Correct working position:
 - At the front on the side of the operator;
 - Head-on to the saw;
 - Beside the line of cut.
 - During operation, always hold the power tool tightly by the handle **[1-1]** in your operating hand. Always keep your free hand outside of the hazardous area.
 - Always use and fix extension table **[1.8]** during operation (see chapter 8.5).
 - Only guide the power tool towards the workpiece when it is switched on.
 - Adjust the feed speed in order to prevent the machine from overloading and to prevent the plastic from melting if you are cutting plastics.
 - Do not work on the power tool if its electronics are defective as this may lead to excessive speeds. You can tell if the electronics are defective if there is no smooth start-up, if it is not possible to regulate the speed and in the event of generation of smoke or the smell of burning from the machine.

- Before beginning work, ensure that the saw blade cannot touch the stop rulers, workpiece clamp, fastening clamps or other machine parts.
- ⓘ Always disconnect the mains plug from the socket when the power tool is not in use. This optimises the service life of the electronics.

9.1 Workpiece dimensions

Maximum workpiece dimensions without extension using accessory parts

Mitre angles according to scale, horizontal/vertical	Height x width	
	[mm]	"
0°/0°	88 × 305	3-1/2 × 12-1/64"
45°/0°	88 × 215	3-1/2 × 8-1/2"
0°/45° right	35 × 305	1-3/8" × 12-1/64"
0°/45° left	55 × 305	2-3/16" × 12-1/64"
45°/45° right	35 × 215	1-3/8" × 8-1/2"
45°/45° left	55 × 215	2-3/16" × 8-1/2"

Maximum workpiece dimensions when installing together with the KA-KS 120

The maximum height and width of the workpiece do not change if accessory parts are installed.

Accessory part used	Length
KA-KS 120 (one side)	Up to 94-1/2" (2400 mm)
KA-KS 120 (both sides)	Up to 189" (4800 mm)

Long workpieces

Provide extra support for any workpieces that protrude over the sawing surface:

- ▶ Adjust the extension table (see section 8.5).
- ▶ If the workpiece still protrudes, retract the extension table and install the KA-KS 120 trimming attachment (see section 9.1).
- ▶ Use additional clamps to secure the workpiece.

Thin workpieces

During sawing, thin workpieces may wobble or break.

- ▶ During sawing, thin workpieces may wobble or break.

- ▶ Reinforce the workpiece: Clamp it together with wood offcuts.

Heavy workpieces

- ▶ To guarantee the stability of the machine, even when sawing heavy workpieces, adjust the support foot so that it is flush with the base.

9.2 Check that the pendulum guard can move



The pendulum guard must always be able to move freely and close independently.

- ▶ Pull out the mains plug.
- ▶ Take hold of the pendulum guard and, as a trial run, slide it into the saw unit. The pendulum guard must be easy to move and must be almost fully lowered into the pendulum hood.

Cleaning the area of the saw blade

- ▶ Always keep the area around the pendulum guard clean.
- ▶ Clear dust and chippings by blowing out with compressed air or using a brush.

9.3 Checking that the saw head can move

The saw head must always be able to move freely and swing up independently.

- ▶ Pull out the mains plug.
- ▶ Take hold of the saw head by the handle and, in a trial run, check that the independent upswing behaviour is correct by lowering it and then allowing it to return in a controlled manner.

Cleaning the saw head attachment

- ▶ Always keep the area around the saw head attachment clean.
- ▶ Clear dust and chippings by blowing them out with compressed air or using a brush.

9.4 Clamping the workpiece

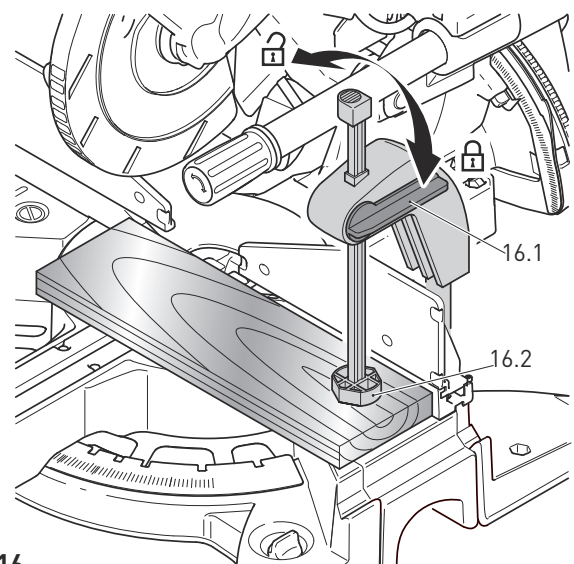
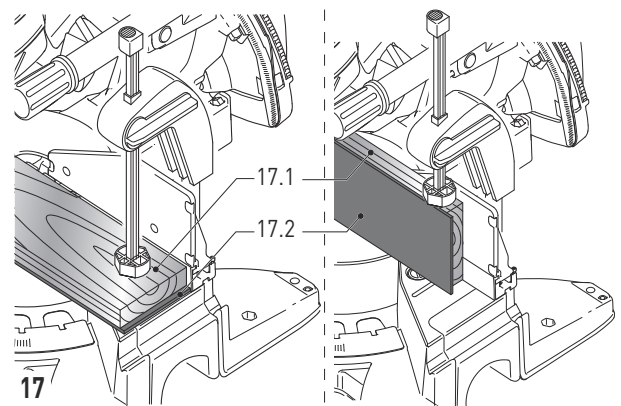


WARNING

Risk of injury

- ▶ Observe the following instructions:
 - **Secure fit** – always clamp the workpiece in position with the workpiece clamp. This requires the hold-down clamp [16.2] to be resting securely on the workpiece. (**Note:** Aids may be required depending on the workpiece contours, e.g. round contours). Do not process any workpieces that have not been securely clamped.

- **Size** – do not process workpieces that are too small. In the interests of safety, the cut piece remaining should be **at least 1-3/16" (30 mm)** long. Small workpieces may be pulled backwards by the saw blade and into the gap between the saw blade and the stop ruler.
- Take particular care that workpieces are not pulled backwards by the saw blade and into the gap between the saw blade and the stop ruler. The risk of this happening is especially high with horizontal mitre cuts.
- Reinforce very thin workpieces [17.1] by sawing through them together with an additional wooden slat [17.2] to support them. During sawing, very thin workpieces may wobble or break.



Proceed as follows to clamp the workpiece

- ▶ Place the workpiece on the saw table and push it against the stop rulers.
- ▶ Open the clamping lever [16.1] of the workpiece clamp.
- ▶ Twist the work piece clamp until the hold-down clamp [16.2] is positioned over the workpiece.

- ▶ Lower the hold-down clamp onto the workpiece.
- ▶ Close the clamping lever **[16.1]**.

9.5 Speed control

The speed can be continuously adjusted between 1400 and 3600 rpm using the adjusting wheel **[2.2]**. This enables you to optimise the cutting speed to suit each material.

Recommended position of the adjusting wheel

Wood	3–6
Plastic	3–5
Fibre materials	1–3
Aluminium and non-ferrous profiles	3–6

9.6 Cuts without pull movement

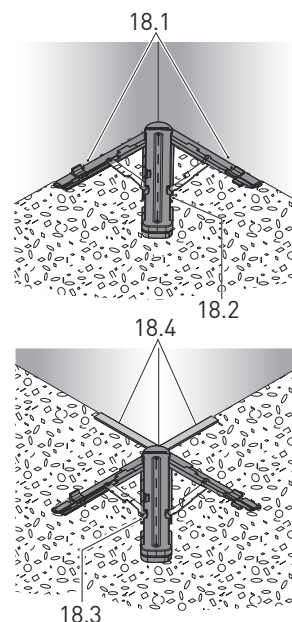
- ▶ Adjust the machine settings to the settings you would like.
- ▶ Clamp the workpiece in position.
- ▶ Push the saw unit towards the rear all the way to the stop (in the direction of the workpiece stop) and tighten the rotary knob **[1.5]** for clamping the pulling unit or secure the saw unit in the special cutting position.
- ▶ Switch on the machine.
- ▶ Slowly guide the saw unit downward by the handle **[1.1]** and saw through the workpiece at an even feed rate.
- ▶ Switch the machine off and wait until the saw blade has come to a complete standstill.
- ▶ Swivel the saw unit back up.

9.7 Cuts with pull movement

- ▶ Adjust the machine settings to the settings you would like.
- ▶ Clamp the workpiece in position.
- ▶ Pull the saw unit forwards along the guide rods.
- ▶ Switch on the machine.
- ▶ Slowly guide the saw unit downwards by the handle **[1.1]**.
- ▶ Push the saw unit towards the rear at an even feed rate and saw the workpiece.
- ▶ Switch off the machine.
- ▶ Wait until the saw blade has come to a complete standstill and only then swivel the saw unit upwards.

9.8 Bevel

The bevel can be used to gauge any angle (e.g. between two walls). The bevel therefore forms the angle bisection.



18

Gauging the interior angle

- ▶ Open the clamp **[18.2]**.
- ▶ Place the bevel with the two routers **[18.1]** against the interior angle.
- ▶ Close the clamp **[18.2]**.

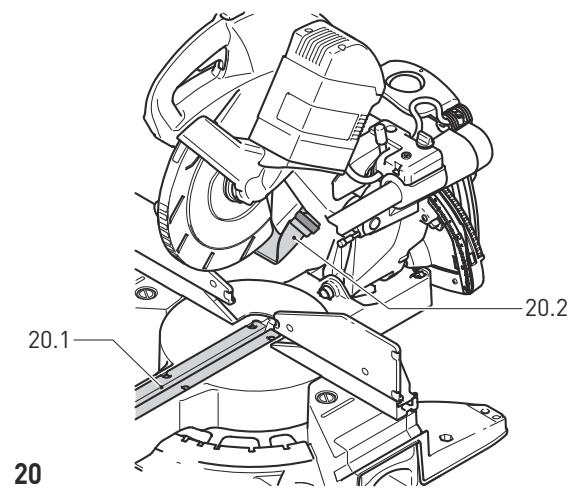
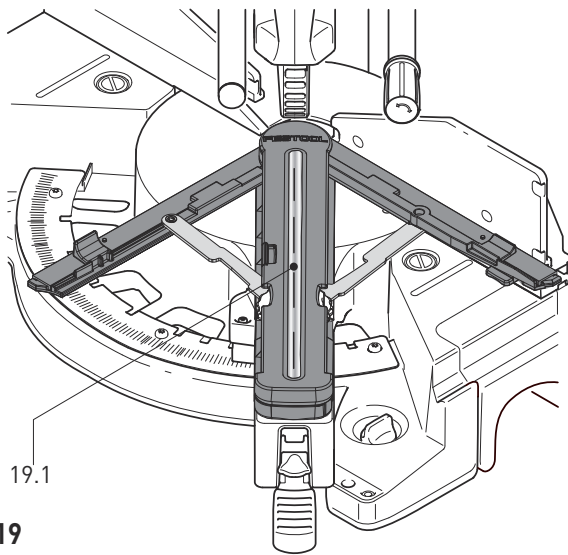
Gauging the exterior angle

- ▶ Open the clamp **[18.3]**.
- ▶ Push the aluminium profiles **[18.4]** of the two routers forwards.
- ▶ Place the bevel with the two routers **[18.4]** against the exterior angle.
- ▶ Close the clamp **[18.3]**.
- ▶ Push the aluminium profiles of the two routers back again.

Transferring the angle

- ▶ Place the bevel with one router against the stop ruler of the mitre saw.
- ▶ To set the angle bisector (horizontal mitre angle), swivel the saw unit until the laser beam is congruent with the line **[19.1]** of the bevel.

- ⓘ To do so, the bevel must be positioned so that it is parallel to the stop of the compound mitre saw. At the same time, apply pressure to the stop ruler by pressing in the recessed grip with your thumb.



10 Service and maintenance



WARNING

Any maintenance or repair work that requires opening of the motor or gear housing should only be carried out by an authorised Customer Service Centre (name supplied by your dealer)!

- Maintenance or repair work carried out by an unauthorised person can lead to the wrong connection of the power cord or other components, which in turn can lead to accidents with serious consequences.



CAUTION

Certain cleaning agents and solvents are harmful to plastic parts.

- Some of these include, but are not limited to: Gasoline, Acetone, Methyl Ethyl Ketone (MEK), Carbonyl Chloride, cleaning solutions containing Chlorine, Ammonia, and household cleaners containing Ammonia.
- Damaged safety devices and components must be repaired or replaced in a recognised specialist workshop, unless otherwise indicated in the operating instructions.
- Regularly clean the table top insert **[20.1]** as well as the extraction channel of the chip deflector **[20.2]** by blowing out with compressed air or using a brush to remove wood chips, dust deposits and remains of workpieces.

- To ensure constant air circulation, always keep the cooling air openings in the housing clean and free of blockages.



Cleaning the machine regularly, especially the adjusting devices and guides, is an important safety factor.

The tool is equipped with special self-disconnecting carbon brushes. If they wear out, the power supply is disconnected automatically and the tool stops.



Customer service and repairs must only be carried out by the manufacturer or service workshops. Find the nearest address at:

www.festoolusa.com/service



Always use original Festool spare parts. Order no. at:

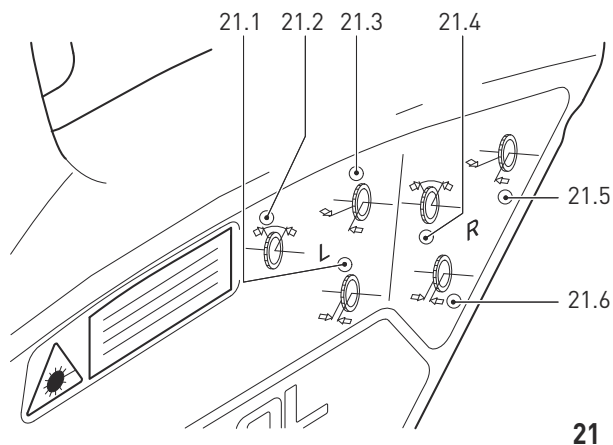
www.festoolusa.com/service

10.1 Adjusting the laser

- ⓘ The laser beam has been set correctly during manufacture. Only turn the adjusting screws out of position in the cases that are specified.

If the laser beams do not align with the cutting edge, you can readjust the two lasers. Use a screwdriver (3/32" (2.5 mm) width) to do this.

- Pierce the adhesive labels at the marked locations (**[21.1]** to **[21.6]**) with the screwdriver to access the adjusting screws underneath.
- Insert a sample workpiece into the machine to check the laser.
- Saw a groove into the workpiece.
- Swivel the head of the saw upward and check the setting.



21

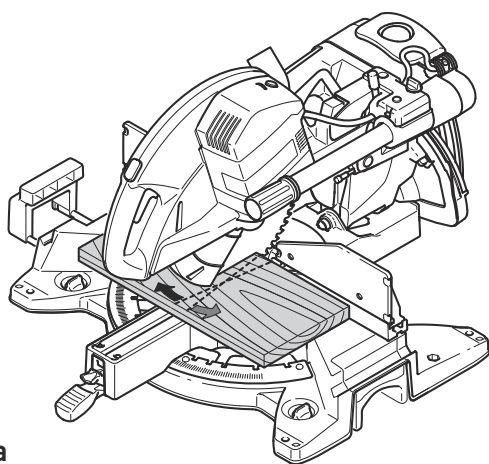
The laser beam is not visible

- ▶ Switch on the laser [1.2]
- ▶ Identify which of the lasers is not visible.
 - ▷ Turn the adjusting screws [21.2] for the left and [21.4] for the right laser beam until the laser appears on your work-piece.
 - ▷ As described, first set the (a) parallelism to the scribe mark, then (b) the inclination and finally, (c) the axial displacement of the laser beam.

a) The laser is not parallel to the scribe mark [figure 21A]

Adjust the parallelism.

- Left laser beam Adjusting screw [21.3]
- Right laser beam Adjusting screw [21.5]

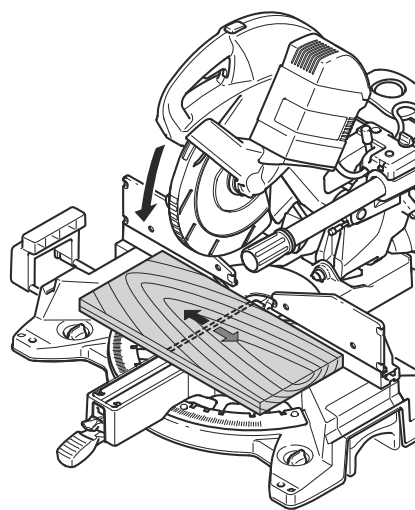


21a

b) During trimming, the laser beam migrates to the left or right [figure 21B]

Set the inclination until the laser beam no longer migrates during trimming.

- Left laser beam Adjusting screw [21.2]
- Right laser beam Adjusting screw [21.4]

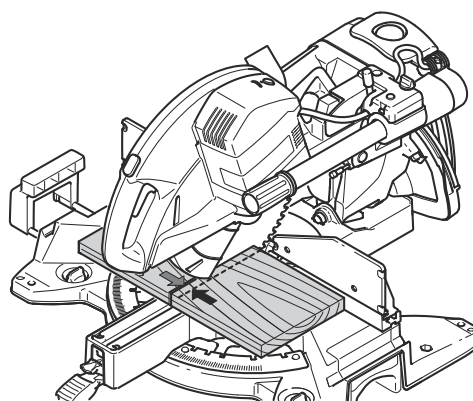


21b

c) The laser beam is not in the same place as the cut [figure 21C]

Adjust the axial displacement.

- Left laser beam Adjusting screw [21.1]
- Right laser beam Adjusting screw [21.6]



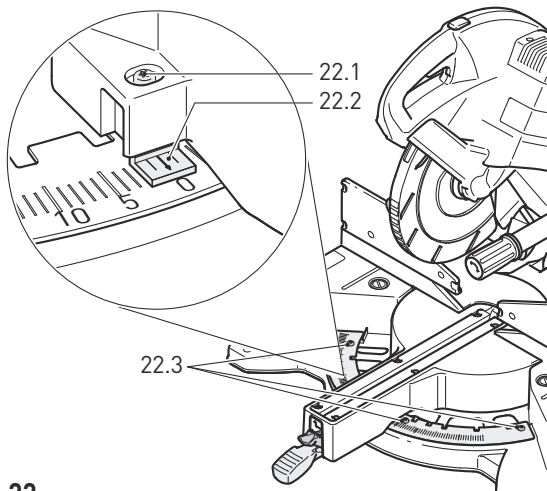
21c

10.2 Correcting horizontal mitre angles

If the indicator [22.2] of the snap-in mitre angles no longer points to the set value, you can adjust the indicator after loosening the screw [22.1].

Should the actual (sawn) mitre angle deviate from the angle you set, this can be corrected:

- ▶ Lock the saw unit in the 0° position.
- ▶ Loosen the three screws [22.3] which secure the scale onto the saw table.
- ▶ Move the scale with the saw unit until it matches the actual 0° value. You can check this against an angle between the stop ruler and the saw blade.
- ▶ Retighten the three screws [22.3].
- ▶ Check the angle adjustment by making a sample cut.

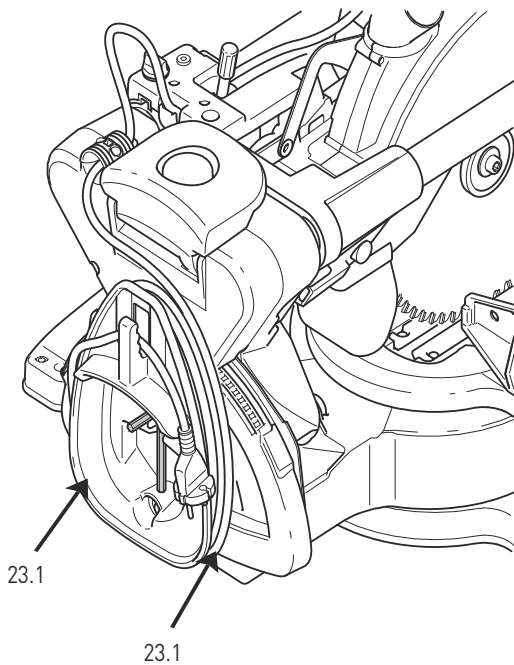


22

10.3 Correcting vertical mitre angles

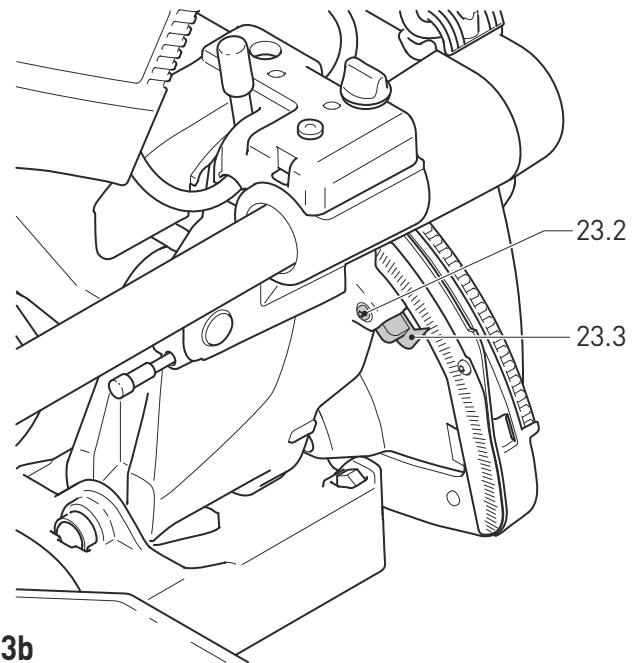
Should the actual value no longer correspond to the angle you set, this can be corrected:

- ▶ Lock the saw unit in the 0° position.
- ▶ Loosen the two screws **[23.1]**.
- ▶ Swivel the saw unit until it matches the actual 0° value. You can check this against an angle between the saw table and the saw blade.
- ▶ Retighten the two screws **[23.1]**.
- ▶ Check the angle adjustment by making a sample cut.



23a

Should the indicator **[23.3]** no longer point to the set value, you can adjust it after loosening the screw **[23.2]**.

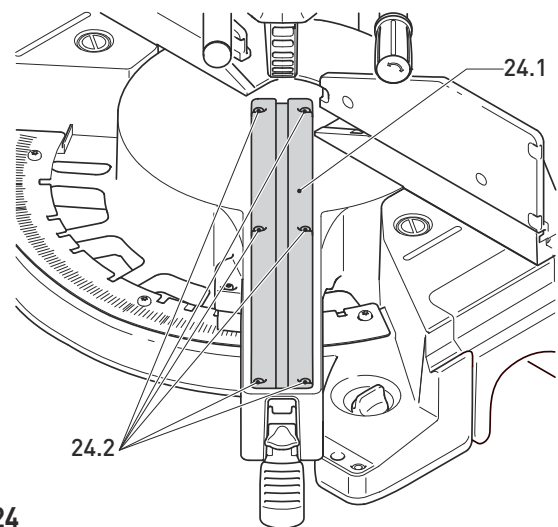


23b

10.4 Replacing the table top insert

Do not work with a worn-out table top insert **[24.1]**; replace it with a new one instead.

- ▶ Unscrew the six screws **[24.2]** to replace the table top insert.



24

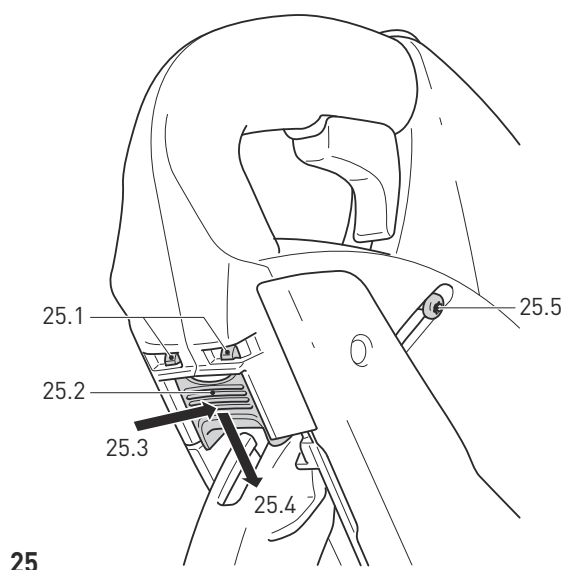
10.5 Cleaning/replacing the window for the laser

The window **[25.2]** which protects the laser can become dirty during operation. You can remove the window to clean or replace it.

- ▶ Loosen the screw **[25.5]** by approx. two rotations.
- ▶ At the same time, push the window in directions **[25.3]** and **[25.4]**.
- ▶ Remove the window.
- ▶ Clean the window or replace it with a new one.
- ▶ Insert the cleaned/new window. The two pins **[25.1]** of the window must engage in

the recesses of the upper guard as show in figure 21.

- ▶ Tighten the screw [25.5].



Check all warnings on the electric power tool for readability and completeness. Replace missing or illegible warnings.

11 Accessories

Use only original Festool accessories.

Refer to the Festool catalogue for the order numbers of accessories and tools or find them online at www.festoolusa.com.

In addition to the accessories described, Festool also provides a comprehensive range of system accessories that allow you to use your saw more effectively and in diverse applications, e.g.:

- Saw blades for different materials.
- KA-KS 120 table extension
- UG-KAPEX KS 120 underframe
- AB KS 120 crown stop

12 Environment

Do not dispose of the device as domestic waste! Dispose of machines, accessories and packaging at an environmentally responsible recycling centre. Observe the respective national regulations.

Sommaire

1	Symboles.....	25
2	À propos de ce manuel.....	26
3	Consignes de sécurité.....	26
4	Utilisation conforme.....	31
5	Caractéristiques techniques.....	31
6	Éléments de l'appareil.....	31
7	Mise en service.....	32
8	Réglages.....	34
9	Utilisation de l'outil électrique.....	38
10	Entretien et maintenance.....	42
11	Accessoires.....	45
12	Environnement.....	45

1 Symboles

-  Avertit d'un danger général
-  Avertit d'un risque de décharge électrique
-  Lire le mode d'emploi et les consignes de sécurité !
-  Zone de danger ! Ne pas mettre les mains !
-  Porter des lunettes de protection !
-  Porter une protection respiratoire !
-  Porter une protection auditive !
-  Attention, faisceaux laser !
-  Porter des gants de protection !
-  Ne pas jeter avec les ordures ménagères.
-  Classe de protection II
-  Conseil, information
-  Instruction
-  Système électronique à vitesse constante réglable et surveillance de la température
-  Système de changement d'outil FastFix



Frein pour un travail sûr



Bois



Panneaux de bois laminés



Panneaux en fibrociment Eternit



Aluminium

W Watt

mm millimètre

" Pouce

rpm

min⁻¹ Tours ou course par minute

tr/mi

n

A Ampère

V Volt

Hz Hertz

n₀ Vitesse de rotation à vide

kg kilogramme

lb. Livre

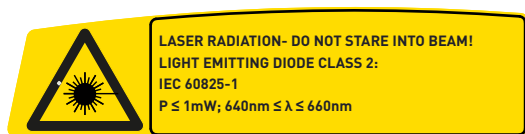
° degré angulaire

AVERTISSEMENT Portez une protection oculaire. Veillez à ce que votre corps, notamment vos mains, soit toujours en dehors de la trajectoire de la lame de scie. Tout contact avec la lame provoque des blessures graves. Contrôlez le système de protection pour vous assurer qu'il fonctionne correctement. N'effectuez aucune opération à main levée. N'approchez jamais vos mains de la lame de scie. Avant de déplacer la pièce à usiner ou de modifier des réglages, mettez l'appareil à l'arrêt et attendez jusqu'à ce que la lame de scie soit complètement immobile.

WARNING Wear eye protection. Keep hands and body out of the path of the saw blade. Contact with blade will result in serious injury. Check guarding system to make sure it is functioning correctly. Do not perform any operation freehand. Never reach around saw blade. Turn off tool and wait for saw blade to stop before moving workpiece or changing settings.

ADVERTENCIA Lleve protección ocular. Mantenga las manos y las demás partes del cuerpo alejadas de la trayectoria de la hoja de sierra. El contacto con la hoja ocasiona lesiones graves. Compruebe el sistema de protección para asegurarse de que funciona correctamente. No efectúe ninguna operación a mano alzada. Nunca se acerque demasiado a la hoja de sierra ni la toque. Desconecte la herramienta y espere a que la hoja se detenga antes de desplazar la pieza de trabajo o de modificar los ajustes.

AVERTISSEMENT portez une protection oculaire. Veillez à ce que votre corps, notamment vos mains, soit toujours en dehors de la trajectoire de la lame de scie. Tout contact avec la lame provoque des blessures graves. Contrôlez le système de protection pour vous assurer qu'il fonctionne correctement. N'effectuez aucune opération à main levée. N'approchez jamais vos mains de la lame de scie. Avant de déplacer la pièce à usiner ou de modifier des réglages, mettez l'appareil à l'arrêt et attendez jusqu'à ce que la lame de scie soit complètement immobile.



RAYONNEMENT LASER ne pas regarder le rayon! Diode émettrice de lumière classe 2, EN 60825-1 $P \leq 1 \text{ mW}$; $640 \text{ nm} \leq \lambda \leq 660 \text{ nm}$.

2 À propos de ce manuel

Conservez ces instructions

Il est important pour vous de lire et de comprendre ce manuel. Les informations qu'il contient, se rapporte à la protection **de votre sécurité** et **de prévention des problèmes**. Les symboles suivants sont utilisés pour vous aider à reconnaître cette information.



DANGER Description du risque imminent et l'incapacité à éviter tout risque qui peut entraîner la mort.



AVERTISSEMENT Description des dangers possibles et des blessures qui en résultent ou la mort.



ATTENTION Description des dangers et des éventuelles blessures qui en résultent.

AVIS Description des dommages potentiels sur l'appareil ou dans son environnement.

3 Consignes de sécurité

3.1 Consignes générales de sécurité pour outils électroportatifs



AVERTISSEMENT ! Veuillez lire toutes les consignes de sécurité, instructions, illustrations et caractéristiques techniques qui accompagnent le présent outil électroportatif. Des négligences relatives aux instructions suivantes peuvent occasionner un choc électrique, un incendie et/ou des blessures graves.

Conserver l'ensemble des consignes de sécurité et des instructions afin de pouvoir les consulter ultérieurement.

Le terme « outil électroportatif » utilisé dans les consignes de sécurité se rapporte aux outils électroportatifs fonctionnant sur secteur (avec câble) et aux outils électroportatifs fonctionnant sur batterie (sans câble).

1 SÉCURITÉ DU POSTE DE TRAVAIL

- Veillez à ce que la zone de travail soit propre et bien éclairée.** Un poste de travail en désordre ou mal éclairé peut entraîner des accidents.
- Ne vous servez pas de l'outil électroportatif dans un environnement où il y a un risque d'explosion dû à la présence de liquides inflammables, de gaz ou de poussières.** Les outils électroportatifs peuvent générer des étincelles susceptibles d'enflammer la poussière ou les vapeurs.
- Éloignez les enfants et d'autres personnes pendant l'utilisation de l'outil électroportatif.** Si vous êtes distrait, vous pouvez perdre le contrôle de l'outil électroportatif.

2 SÉCURITÉ ÉLECTRIQUE

- Le connecteur de l'outil électroportatif doit correspondre à la prise électrique. Le connecteur ne doit être modifié d'aucune façon. N'utilisez pas d'adaptateur avec des outils électroportatifs mis à la terre.** Des connecteurs intacts et des prises correspondantes diminuent le risque d'un choc électrique.
- Évitez tout contact avec des surfaces mises à la terre telles que des tuyaux, chauffages, cuisinières et réfrigérateurs.** Un risque élevé de choc électrique existe si votre corps est relié à la terre.
- Protégez les outils électroportatifs de la pluie et de l'humidité.** L'infiltration d'eau dans un outil électroportatif augmente le risque de choc électrique.
- Ne détournez pas l'utilisation du câble de raccordement pour porter l'outil électroportatif, l'accrocher ou pour tirer le connecteur de la prise. Éloignez le câble de la chaleur, de l'huile, de bords tranchants ou de pièces en mouvement.** Des câbles de raccordement endommagés ou enchevêtrés augmentent le risque de choc électrique.
- Si vous travaillez avec un outil électroportatif à l'extérieur, utilisez uniquement des rallonges prévues pour l'extérieur.** L'utilisation d'un câble prévu pour l'extérieur diminue le risque d'un choc électrique.
- Utilisez un disjoncteur à courant de défaut quand le fonctionnement de l'outil électroportatif en environnement humide ne peut pas être évité.** L'utilisation d'un disjoncteur à courant de défaut diminue le risque d'un choc électrique.

3 SÉCURITÉ DES PERSONNES

- a. **Soyez attentif à ce que vous faites, faites preuve de bon sens lorsque vous travaillez avec l'outil électroportatif. N'utilisez pas l'outil électroportatif si vous êtes fatigué ou si vous êtes sous l'influence de drogues, de l'alcool ou de médicaments.** Un moment d'inattention lors de l'utilisation de l'outil électroportatif peut entraîner des blessures graves.
- b. **Portez un équipement de protection individuelle et des lunettes de protection en permanence.** Le port d'un équipement de protection individuelle tel que masque contre la poussière, chaussures de sécurité antidérapantes, casque ou protection auditive, en fonction du type et de l'utilisation de l'outil électroportatif, diminue le risque de blessures.
- c. **Évitez toute mise en service involontaire. Assurez-vous que l'outil électroportatif est déconnecté avant de le raccorder à l'alimentation électrique et/ou à la batterie, avant de le soulever ou de le porter.** Si, en portant l'outil électroportatif, vous avez le doigt sur l'interrupteur ou si vous raccordez l'outil électroportatif connecté à l'alimentation électrique, cela peut entraîner des accidents.
- d. **Retirez les outils de réglage ou les clés anglaises avant de connecter l'outil électroportatif.** Un outil ou une clé qui se trouve dans une partie de l'outil électroportatif en rotation peut entraîner des blessures.
- e. **Évitez toute position de travail anormale. Veillez à maintenir une position stable et un bon équilibre à tout moment.** Vous pourrez ainsi à tout moment contrôler l'outil électroportatif dans des situations inattendues.
- f. **Portez des vêtements adaptés. Ne portez pas de vêtements amples ou de bijoux. Éloignez vos cheveux et vos vêtements des pièces en mouvement.** Des vêtements amples, des bijoux ou des cheveux longs pourraient se prendre dans les pièces en mouvement.
- g. **Si des dispositifs d'aspiration et de récupération des poussières peuvent être montés, raccordez-les et utilisez-les correctement.** L'utilisation d'une aspiration des poussières peut diminuer les dangers dus aux poussières.
- h. **Ne vous croyez pas faussement en sécurité et n'enfreignez pas les règles de sé-**

curité destinées aux outils électroportatifs, même si vous maîtrisez l'outil électroportatif après de multiples utilisations. Un manque d'attention peut en un quart de seconde entraîner de graves blessures.

4 UTILISATION ET TRAITEMENT DE L'OUTIL ÉLECTROPORTATIF

- a. **Ne surchargez pas l'outil électroportatif. Utilisez l'outil électroportatif destiné à votre travail.** L'outil électroportatif adapté vous permet de travailler mieux et avec plus de sécurité dans la plage de puissance indiquée.
- b. **N'utilisez aucun outil électroportatif dont l'interrupteur serait défectueux.** Un outil électroportatif qui ne peut plus être mis en marche ou arrêté est dangereux et doit être réparé.
- c. **Débranchez le connecteur de la prise de courant et/ou retirez une batterie amovible avant d'effectuer des réglages sur l'appareil, de remplacer des pièces d'outil ou de déposer l'outil électroportatif.** Cette mesure de précaution empêche un démarrage involontaire de l'outil électroportatif.
- d. **Rangez toujours les outils électroportatifs inutilisés hors de portée des enfants. Ne laissez aucune personne à laquelle vous ne faites pas confiance ou qui n'a pas lu ces consignes se servir de l'outil électroportatif.** Les outils électroportatifs sont dangereux lorsqu'ils sont utilisés par des personnes inexpérimentées.
- e. **Prenez soin de vos outils électroportatifs et outils. Vérifiez que les parties mobiles fonctionnent sans problème, qu'elles ne coincent pas et qu'il n'y a pas de parties cassées ou endommagées qui pourraient entraver le bon fonctionnement de l'outil électroportatif. Faites réparer les parties endommagées avant d'utiliser l'outil électroportatif.** De nombreux accidents sont dus à un mauvais entretien des outils électroportatifs.
- f. **Maintenez les outils de coupe affûtés et propres.** Des outils de coupe entretenus avec soin dotés de bords de coupe affûtés se coincent moins et sont plus faciles à utiliser.
- g. **Utilisez l'outil électroportatif, les outils, etc. en respectant ces instructions. Tenez compte des conditions de travail et de la tâche à effectuer.** L'utilisation des outils électroportatifs pour d'autres applications

que celles prévues peut entraîner des situations dangereuses.

- h. **Veillez à ce que les poignées et surfaces des poignées soient sèches, propres et exemptes d'huile ou de graisse.** Des poignées et surfaces de poignées glissantes ne permettent pas une utilisation en toute sécurité ni un contrôle de l'outil électroportatif dans des situations imprévues.

5 SERVICE

- a. **Faites réparer votre outil électroportatif uniquement par un personnel qualifié ; les réparations doivent être uniquement effectuées avec des pièces détachées d'origine,** afin de garantir la fiabilité de l'outil électroportatif.
- b. **Pour la réparation et l'entretien, n'utilisez que des pièces d'origine.** L'utilisation d'accessoires ou de pièces détachées non adaptés risque de provoquer une électrocution ou des blessures.

3.2 Consignes de sécurité spécifiques à l'appareil

- **Les scies à onglet sont conçues pour le bois ou les dérivés du bois ; elles ne peuvent pas être utilisées avec des produits ferreux tels que des barres, tiges, vis, etc.** La poussière abrasive entraîne un blocage des pièces mobiles telles que le capot de protection inférieur. Les étincelles brûlent le capot de protection inférieur, la plaque intercalaire ainsi que les autres pièces en plastique.
- **Fixez si possible la pièce avec des serre-joints. Si vous maintenez la pièce manuellement, veillez à toujours tenir votre main éloignée d'au moins 100 mm de chaque côté de la lame de scie. N'utilisez pas la scie pour couper des pièces trop petites pour être fixées ou maintenues à la main.** Si votre main est trop proche de la lame de scie, vous vous exposez à un risque élevé de blessures par contact avec la lame de scie.
- **La pièce doit être immobile et soit bien serrée soit appuyée contre la butée et la table. Ne pas pousser la pièce contre la lame de scie et ne jamais scier « à main levée ».** Les pièces qui ne sont pas fixées ou qui peuvent bouger risqueraient être projetées à une vitesse élevée et provoquer des blessures.
- **Scier la pièce en poussant la scie. Éviter de scier la pièce en tirant la scie. Pour réaliser une coupe, soulever la tête de scie et la tirer au-dessus de la pièce sans couper. Démarrer ensuite le moteur, abaisser la tête de scie et pousser la scie dans la pièce.** En cas de coupe en traction, la lame de scie risque de se soulever sur la pièce et d'être projetée brutalement vers l'utilisateur.
- **Ne jamais passer la main par-dessus la ligne de coupe prévue, que ce soit devant ou derrière la lame de scie.** Le maintien de la pièce avec les mains croisées, c'est-à-dire en tenant de la main gauche la pièce à droite de la lame ou vice versa, est très dangereux.
- **Lorsque la lame est en rotation, ne pas passer la main derrière la butée. Maintenir toujours une distance de sécurité d'au moins 100 mm entre la main et la lame de scie en rotation (de chaque côté de la lame, par ex. lors du retrait des copeaux de bois).** La proximité entre la lame de scie en rotation et la main n'est pas toujours visible et peut entraîner des blessures graves.
- **Avant le découpage, vérifier l'état de la pièce. Si la pièce est courbée ou tordue, elle doit être fixée avec le côté plié vers l'extérieur vers la butée. Toujours s'assurer que le long de la ligne de coupe, aucun écart ne s'est formé entre la pièce, la butée et la table.** Les pièces courbées ou tordues peuvent pivoter ou basculer et entraîner le blocage de la lame de scie en rotation lors du découpage. La pièce doit être exempte de clous ou tout autre corps étranger.
- **Utiliser la scie uniquement après avoir retiré de la table tous les outils, chutes de bois, etc. ; seule la pièce à scier doit se trouver sur la table.** Les petites chutes, morceaux de bois ou autres objets entrant en contact avec la lame en rotation peuvent être projetés à une vitesse élevée.
- **Ne découper qu'une seule pièce à la fois.** Les pièces empilées ne peuvent pas être serrées ou maintenues correctement et risquent de glisser ou de provoquer un blocage de la lame lors du sciage.
- **Avant l'utilisation, veiller à placer la scie à onglet sur une surface de travail plane et solide.** Une surface de travail plane et soli-

de contribue à assurer la stabilité de la scie à onglet.

- **Élaborer un plan de travail. À chaque réglage de l'angle d'onglet, veiller à ce que la butée réglable soit bien ajustée et maintienne la pièce sans entrer en contact avec la lame ou le capot de protection.** Une coupe complète doit être simulée sans allumer la machine et sans installer de pièce sur la table, afin de s'assurer que la lame de scie peut se déplacer correctement pendant toute l'opération et qu'il n'y a pas de risque de collision avec la butée pendant la coupe.
- **Pour les pièces plus larges ou plus longues que la surface de la table, assurer un support adéquat, par ex. des rallonges de table ou des chevalets.** Les pièces plus longues ou plus larges que la table de la scie à onglet peuvent basculer si elles ne sont pas maintenues correctement. Le basculement d'un morceau de bois coupé ou de la pièce peut soulever le capot de protection inférieur ou la pièce en question risque d'être projetée par la lame en rotation.
- **Ne pas demander à une personne de maintenir la pièce pour éviter d'utiliser une rallonge de table ou un support supplémentaire.** Si la pièce se trouve sur un support instable, la lame risque de se bloquer. La pièce peut également bouger pendant la coupe et entraîner l'utilisateur et son aide vers la lame en rotation.
- **La pièce découpée ne doit pas être poussée contre la lame de scie en rotation.** En cas de manque de place, par ex. lors de l'utilisation de butées longitudinales, la pièce coupée peut se prendre dans la lame et être projetée violemment.
- **Utiliser toujours un serre-joint ou un dispositif adapté pour maintenir correctement les pièces de section circulaire telles que les barres rondes ou les tubes.** Les barres rondes ont tendance à rouler lors de la coupe. Dans ce cas, la lame peut s'accrocher et la pièce ainsi que la main de l'utilisateur risquent d'être entraînées vers la lame.
- **Laisser la lame atteindre complètement la vitesse réglée avant de couper la pièce.** Cela diminue le risque que la pièce soit projetée.


- **Si la pièce ou la lame sont bloquées, mettre la scie à onglet à l'arrêt. Attendre que toutes les pièces en mouvement soient immobilisées puis débrancher la fiche secteur et/ou retirer la batterie. Retirer ensuite le matériau bloqué.** La poursuite du sciage en cas de blocage peut entraîner une perte de contrôle ou l'endommagement de la scie à onglet.
- **Une fois la coupe terminée, relâcher l'interrupteur, maintenir la tête de scie en bas et attendre jusqu'à l'arrêt complet de la lame avant de retirer la pièce coupée.** Il est très dangereux d'approcher la main de la lame encore en mouvement.
- **Maintenir fermement la poignée en cas d'interruption de la coupe ou de relâchement de l'interrupteur avant que la tête de sciage n'atteigne sa position inférieure.** La tête de sciage peut s'abaisser brusquement sous l'effet du freinage de la scie, ce qui provoque un risque de blessures.

3.3 Outils et pièces d'outils


- **Toujours utiliser des lames de scie d'une taille adaptée et qui s'ajustent au perçage (en forme de losange ou ronde).** Les lames de scie non adaptées aux pièces de montage présentent un fonctionnement irrégulier et peuvent entraîner la projection de copeaux du matériau. Ces copeaux peuvent atteindre les yeux de l'utilisateur ou des autres personnes présentes.
- Ne pas utiliser de lames de scie déformées, fendues ou présentant des taillants émoussés ou défectueux.
- Utiliser uniquement des lames de scie qui sont au moins prévues pour la vitesse maximale de la scie.
- Transporter la lame de scie uniquement dans un emballage adéquat. Pour cela, nous recommandons l'emballage d'origine.
- Utiliser uniquement des lames de scie recommandées par le fabricant et convenant au matériau que vous souhaitez usiner. Cela empêche une surchauffe des dents de scie au sciage.

3.4 Autres consignes de sécurité

- **Seules des lames de scie correspondant aux indications relatives à l'utilisation conforme sont autorisées.** Si les lames ne conviennent pas aux pièces de montage de la scie, elles n'ont pas un mouvement de rotation régulier et peuvent entraîner la

- projection de copeaux de matériau. Ces copeaux peuvent être projetés dans les yeux de l'utilisateur ou d'autres personnes situées à proximité.
- **Seules des lames de scie avec angle de coupe $\leq 0^\circ$ sont autorisées.** Un angle de coupe $> 0^\circ$ a pour effet de tirer la scie dans la pièce. Risques de blessures dues à des rebonds de la scie et à une rotation de la pièce.
- **Avant chaque utilisation, contrôler le bon fonctionnement du capot de protection pendulaire.** N'utiliser l'outil électroportatif que s'il fonctionne correctement.
- **Ne jamais mettre la main dans l'ouverture d'éjection des copeaux.** Les pièces en rotation peuvent entraîner des blessures des mains.
- **Pendant l'utilisation, des poussières dangereuses pour la santé peuvent être dégagées (par ex. dans le cas des revêtements au plomb ou de certaines essences de bois).** Le contact ou l'inhalation de ces poussières peut présenter un danger pour la santé de l'utilisateur ou des personnes se trouvant à proximité. Veuillez respecter les prescriptions de sécurité en vigueur dans votre pays.
-  Pour protéger votre santé, portez un masque de protection respiratoire de catégorie P2. Dans les espaces clos, assurer une ventilation suffisante et raccorder un aspirateur.
- Remplacez les butées détériorées par la lame de scie ou endommagées. Les butées endommagées risquent d'être projetées lors de l'utilisation de la scie. Les personnes situées à proximité peuvent être blessées.
- **Utiliser uniquement des accessoires et consommables Festool d'origine.** Seuls les accessoires testés et validés par Festool sont sûrs et parfaitement adaptés à la fois à l'appareil et à l'application.
- Utiliser l'outil électroportatif uniquement à l'intérieur et dans un environnement sec.

3.5 Sciage de l'aluminium

-  Pour des raisons de sécurité, prendre les mesures suivantes en cas de sciage d'aluminium :

- Installer en amont un disjoncteur-détecteur de fuites à la terre (disjoncteur différentiel, PRCD).
- Raccorder l'outil électroportatif à un aspirateur approprié.
- Retirer régulièrement les dépôts de poussière accumulés dans le carter moteur de l'outil électroportatif.
- Utiliser une lame de scie pour aluminium.



Porter des lunettes de protection !

3.6 Consignes de sécurité spécifiques au laser


- **Ne jamais diriger le faisceau laser sur des personnes.** Un éblouissement peut causer des accidents.
- **Ne jamais regarder le faisceau laser direct ou réfléchi.** En cas de contact accidentel des yeux avec le faisceau laser, fermer immédiatement les yeux et détourner la tête du faisceau. Si le faisceau laser entre en contact avec l'œil, il peut provoquer des lésions oculaires.
- **N'effectuer aucune manipulation sur le laser.** Un laser manipulé peut engendrer des dangers supplémentaires.

3.7 Autres risques

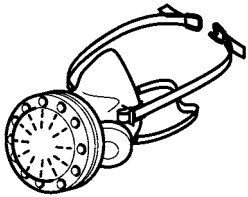
Malgré le respect de toutes les règles de conception pertinentes, certains risques restent possibles durant l'utilisation de la machine. Par exemple :

- contact avec des pièces en rotation sur le côté : lame de scie, bride de serrage, vis de bride,
- contact avec des pièces sous tension quand le boîtier est ouvert et que la fiche secteur n'est pas débranchée,
- projection de morceaux de pièce,
- projection de morceaux d'outils si ces derniers sont endommagés,
- émissions sonores,
- émissions de poussières.

3.8 La poussière, un risque pour la santé

 **AVERTISSEMENT!** certaines poussières créées par le ponçage mécanique, le sciage, le meulage, le perçage et autres activités reliées à la construction contiennent des substances chimiques connues (dans l'État de la Californie) comme pouvant causer le cancer, des anomalies congénitales ou représenter d'autres dangers pour la reproduction. Voici quelques exemples de telles substances:

- plomb provenant de peintures à base de plomb,
- silice cristallisée utilisée dans les briques, le ciment et autres matériaux de maçonnerie, et
- arsenic et chrome du bois d'oeuvre traité avec un produit chimique.



Le risque d'exposition à de tels produits varie selon la fréquence à laquelle vous faites ce genre de travail. Pour réduire les risques d'exposition à ces substances chimiques : travaillez dans un endroit adéquatement ventilé et utilisez un équipement de sécurité approuvé, tel que masques antipoussières spécialement conçus pour filtrer les particules microscopiques.



AVERTISSEMENT

POUR RÉDUIRE LE RISQUE DE DOMMAGES, L'UTILISATEUR DOIT LIRE LE MANUEL D'INSTRUCTION.

4 Utilisation conforme

L'outil électrique est destiné au sciage sur poste fixe du bois, des matières plastiques et de matériaux comparables. Ne pas utiliser l'appareil pour scier d'autres matériaux, en particulier l'acier, le béton et les matériaux minéraux. Les lames de scies spéciales proposées par Festool permettent d'utiliser également les machines pour scier les métaux ferreux et métaux non ferreux non trempés.



L'utilisateur est responsable des dommages provoqués par une utilisation non conforme.

4.1 Lames de scie

Les lames de scie doivent présenter les caractéristiques suivantes :

- Diamètre de lame 10-1/4" (260 mm)
- Largeur de coupe 3/32" (2.5 mm) (équivalent à la largeur de dent),
- Alésage 1-3/16" (30 mm)
- Épaisseur de lame de base 1/16" (1.8 mm)
- Lame de scie selon EN 847-1
- Lame de scie avec angle de lame $\leq 0^\circ$

Les lames de scie Festool répondent à la norme EN 847-1.

Scier uniquement des matériaux pour lesquels la lame de scie utilisée a été conçue.

5 Caractéristiques techniques

Scie à onglets radiale	KS 120 REB
Puissance	13 A
Vitesse de rotation (à vide)	1400–3600 rpm
Broche porte-outil, Ø	1-3/16" (30 mm)
Poids selon la procédure EPTA 01:2014	52 lb. (24 kg)
Dimensions max. de la pièce, voir chapitre <Utilisation de l'outil électrique>.	

6 Éléments de l'appareil

- [1.1] Poignée
- [1.2] Interrupteur marche/arrêt
- [1.3] Bouton de blocage du démarrage
- [1.4] Levier de limitation de la profondeur de coupe
- [1.5] Bouton rotatif de blocage du dispositif de traction
- [1.6] Protection de transport
- [1.7] Graduation pour angle d'onglet (vertical)
- [1.8] Extension de table
- [1.9] Bouton rotatif de l'extension de table
- [1.10] Graduation pour angle d'onglet (horizontal)
- [1.11] Levier de blocage pour angle d'onglet (horizontal)
- [1.12] Levier de verrouillage pour angle d'onglet pré réglé (horizontal)
- [1.13] Capot de protection pendulaire
- [1.14] Poignée tournante pour le réglage de précision de l'angle d'onglet (vertical)
- [2.1] Interrupteur marche/arrêt du laser
- [2.2] Molette de réglage de la vitesse
- [2.3] Bouton du système de blocage de la broche FastFix
- [2.4] Levier de blocage pour règle de butée
- [2.5] Logement pour fausse-équerre

- [2.6]** Levier de déverrouillage pour la position de coupe spéciale
- [2.7]** Levier pour la position de coupe spéciale
- [2.8]** Enrouleur de câble à poignée intégrée
- [2.9]** Levier de blocage pour angle d'onglet (vertical)
- [2.10]** Sélecteur de plage d'angle d'onglet (vertical)

Les images décrivant les éléments fonctionnels se trouvent sur une page dépliant au début du manuel d'utilisation. Pendant la lecture du manuel, vous pouvez vous référer rapidement à la page en la dépliant et procéder ainsi à des comparaisons.

7 Mise en service



AVERTISSEMENT

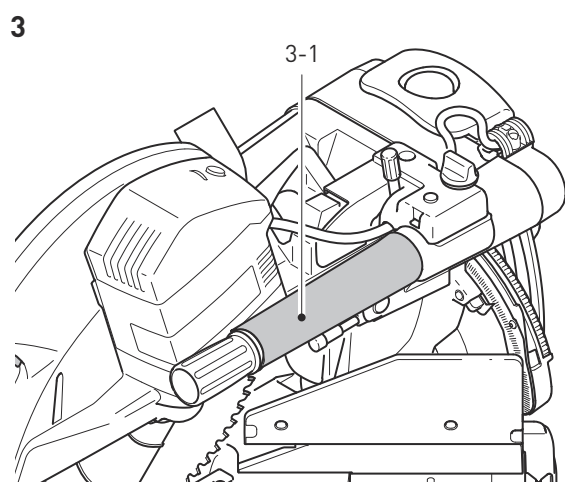
Tension ou fréquence non admissible !

Risque d'accident

- La tension et la fréquence d'alimentation électrique doivent être conformes aux indications de la plaque signalétique.
- En Amérique du nord, utiliser uniquement les machines Festool fonctionnant sous une tension de 120 V / 60 Hz.

Avant la première mise en service

- Retirer la protection de transport **[3.1]** du guide de traction.



Mise en marche/à l'arrêt

- Appuyer sur l'interrupteur marche/arrêt jusqu'à ce qu'une résistance soit sensible, afin de déverrouiller le bloc de sciage et le capot de protection pendulaire.

- Appuyer sur le bouton de blocage du démarrage **[1.3]**.
- Enfoncer complètement l'interrupteur marche/arrêt **[1.2]** pour mettre en marche l'appareil.
- Relâcher l'interrupteur marche/arrêt pour mettre l'appareil à l'arrêt.

7.1 Installation de l'appareil



AVERTISSEMENT

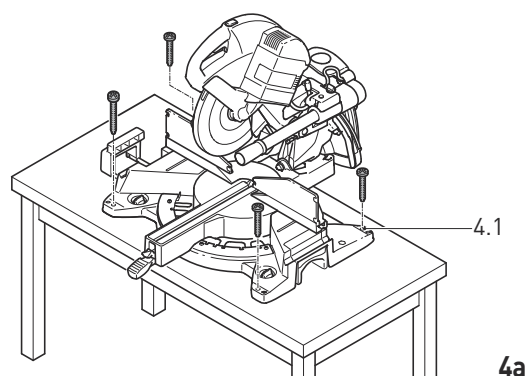
Risque de blessures, décharge électrique

- Débrancher la fiche de la prise de courant avant toute intervention sur la machine !

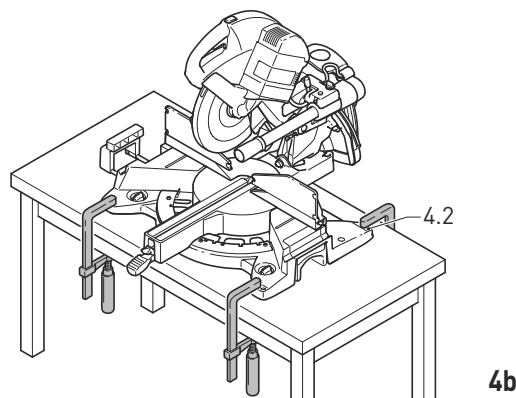
Avant l'utilisation, monter l'appareil sur une surface de travail plane et stable (par ex. le châssis de transport UG-KAPEX, la table multifonctions MFT ou un établi).

Voici les possibilités de montage :

Vis : fixer l'appareil sur la surface de travail avec quatre vis. Pour cela, utiliser les trous **[4.1]** situés aux quatre points d'appui de la table de sciage.

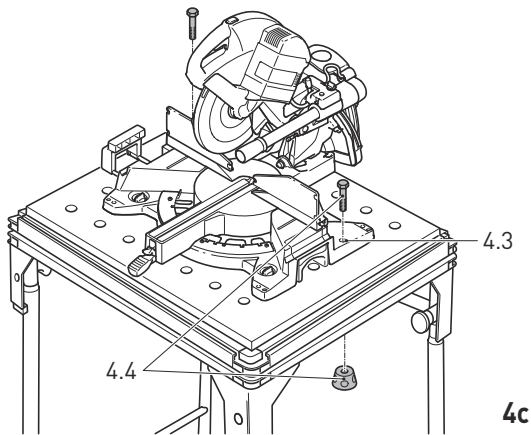


Serre-joints : fixer l'appareil sur la surface de travail avec quatre serre-joints. Les surfaces planes **[4.2]** des quatre points d'appui de la table de sciage servent de surfaces de serrage.



Kit de serrage (pour MFT) : Fixer l'appareil avec le kit de serrage **[4.4, 494693]** sur la table

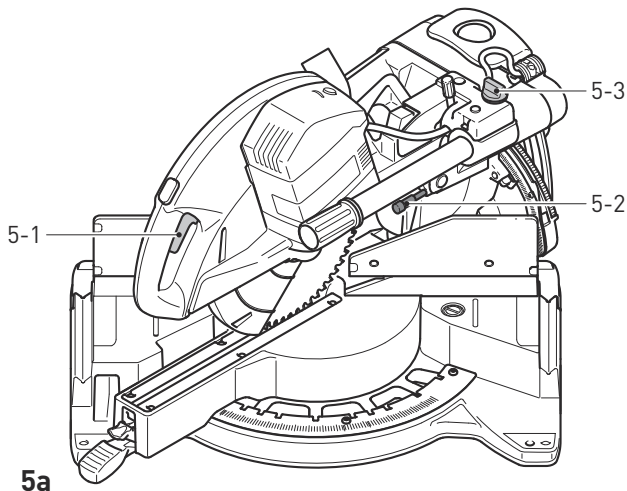
multifonctions MFT. Les deux trous pour vis sont conçus à cette fin **[4.3]**.



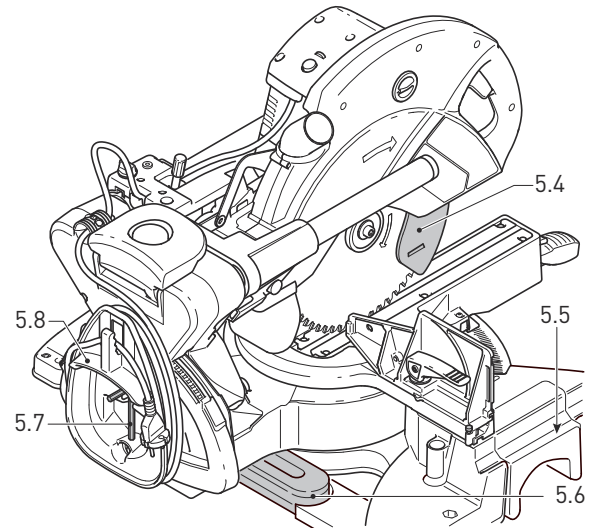
Châssis de transport UG-KAPEX : fixer l'appareil sur le châssis de transport comme décrit dans la notice de montage jointe au châssis.

7.2 Transport

Blocage de l'appareil (position de transport)



- ▶ Appuyer sur l'interrupteur marche/arrêt **[5.1]**.
- ▶ Abaisser le bloc de sciage jusqu'en butée.
- ▶ Appuyer sur le dispositif de verrouillage **[5.2]**. Le bloc de sciage reste maintenant en position basse.
- ▶ Serrer le bouton rotatif **[5.3]** pour bloquer le bloc de sciage en position arrière.



- ▶ Pour le transport, enrouler le câble secteur sur l'enrouleur **[5.8]**.
- ▶ Ranger la clé Allen **[5.7]** et la fausse-équerre **[5.6]** dans les supports prévus à cette fin.



AVERTISSEMENT

Risque de blessures

- ▶ Ne jamais soulever ou transporter l'appareil en le tenant par le capot de protection pendulaire mobile **[5.4]**.
- ▶ Pour le porter, tenir l'appareil sur le côté par la table de sciage **[5.5]** et la poignée **[5.8]** dans l'enrouleur de câble.

Débloquer l'appareil (position de travail)

- ▶ Abaisser légèrement le bloc de sciage et tirer la protection de transport **[5.2]**.
- ▶ Relever le bloc de sciage.
- ▶ Ouvrir le bouton rotatif **[5.3]**.

7.3 Rallonge

S'il est nécessaire d'utiliser une rallonge, celle-ci doit présenter une section suffisante pour éviter une perte de tension excessive ou une surchauffe. Une perte de tension excessive réduit la puissance et peut provoquer la défaillance du moteur. Le tableau ci-dessous indique le diamètre de câble approprié en fonction de la longueur de câble pour cet outil.

Taille de câble en AWG

Intensité nominale de l'outil	Longueur de câble en pieds			
	25	50	100	150
3-6	18	16	16	14
6-8	18	16	14	12
8-10	18	16	14	12

Intensité nominale de l'outil	Longueur de câble en pieds			
10-12	16	16	14	12
12-16	14	12	-	-

Taille de câble en mm²

Intensité nominale de l'outil	Longueur de câble en mètres			
	15	30	60	120
3-6	0,75	0,75	1,5	2,5
6-8	0,75	1,0	2,5	4,0
8-10	0,75	1,0	2,5	4,0
10-12	1,0	2,5	4,0	-
12-16	-	-	-	-

Utiliser uniquement des rallonges homologuées NRTL.

Ne jamais utiliser deux rallonges ensemble. Au lieu de cela, utiliser une rallonge plus longue.

i Plus la valeur AWG est faible, plus le diamètre du câble est élevé.

8 Réglages

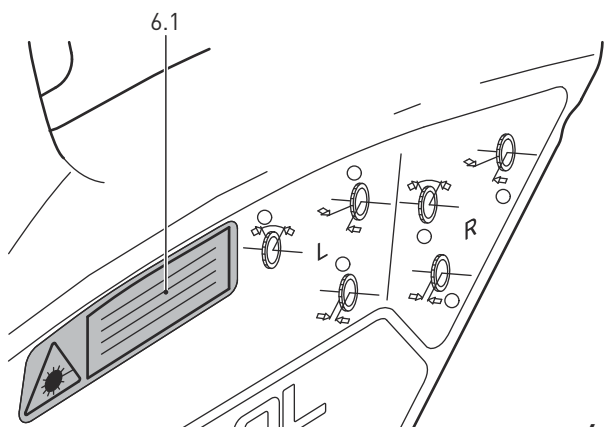


AVERTISSEMENT

Risque de blessures, décharge électrique

- Débrancher la fiche de la prise de courant avant toute intervention sur la machine !

Remplacer l'autocollant d'avertissement **[6.1]** pour le laser par celui fourni dans la langue de l'utilisateur.



6

8.1 Sélectionner la lame de scie

Les lames de scie Festool sont marquées d'un anneau de couleur. La couleur de l'anneau correspond à la matière à laquelle convient la lame de scie.

Coloris	Matériau	Icone
Jaune	Bois	
Rouge	Panneaux de bois lamifiés	
Vert	Panneaux en fibrociment Eternit	
Bleu	Aluminium, plastique	

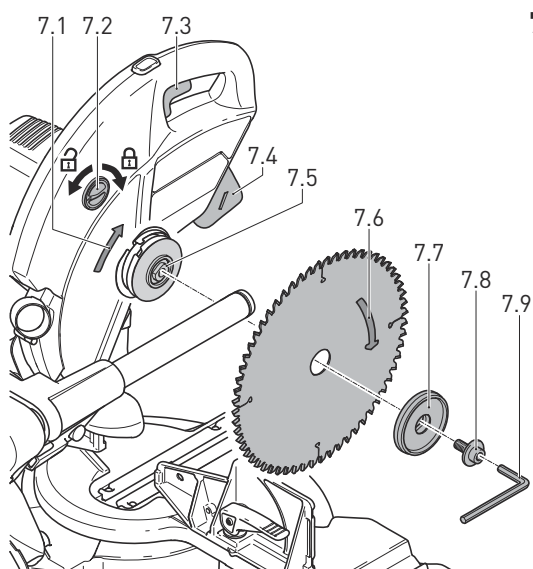
8.2 Changement d'outil



AVERTISSEMENT

Risque de blessures

- Tenir compte des instructions suivantes :



7

- Avant le changement d'outil, débrancher la fiche secteur de la prise de courant.
- Actionner le bouton du système de blocage de la broche **[7.2]** uniquement lorsque la lame de scie est à l'arrêt.
- Pendant le fonctionnement, la lame de scie devient très chaude ; ne pas la toucher avant qu'elle n'ait refroidi.
- Porter des gants de protection en raison des risques de blessures provoqués par les lames tranchantes lors du changement d'outil.

Démontage de la lame de scie

- Amener l'appareil en position de travail.
- Presser le bouton du système de blocage de la broche **[7.2]** et le tourner à 90° dans le sens horaire.

- ▶ Dévisser entièrement la vis [7.8] avec la clé Allen [7.9] (filetage à gauche).
- ▶ Appuyer sur l'interrupteur marche/arrêt [7.3] pour déverrouiller ainsi le capot de protection pendulaire.
- ▶ Ouvrir complètement le capot de protection pendulaire [7.4].
- ▶ Retirer la bride de serrage [7.7] et la lame de scie.

Montage de la lame de scie

- ▶ Nettoyer toutes les pièces avant de les monter (lame de scie, brides, vis).
- ▶ Placer la lame de scie sur la broche porte-outil [7.5].

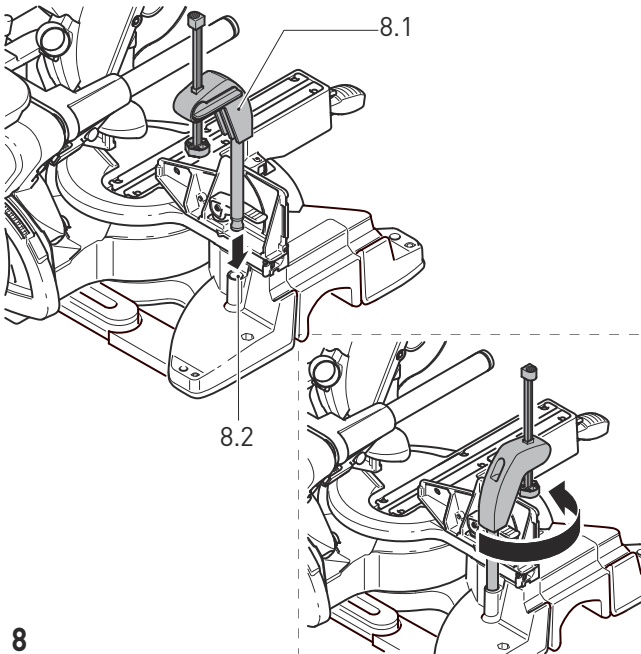


AVERTISSEMENT

Risque de blessures

- ▶ Veiller à ce que la lame de scie [7.6] et l'appareil [7.1] aient le même sens de rotation.
- ▶ Fixer la lame de scie avec la bride [7.7] et la vis [7.8].
- ▶ Serrer la vis [7.8] (filetage à gauche).
- ▶ Presser le bouton du système de blocage de la broche [7.2] et le tourner à 90° dans le sens antihoraire.

8.3 Dispositif de blocage de pièce



8

Utilisation du dispositif de blocage de pièce

- ▶ Insérer le dispositif de blocage de pièce [8.1] dans l'un des deux trous [8.2]. Le mécanisme de serrage doit alors être orienté vers l'arrière.
- ▶ Tourner le dispositif de blocage de pièce de manière à orienter le mécanisme de serrage vers l'avant.

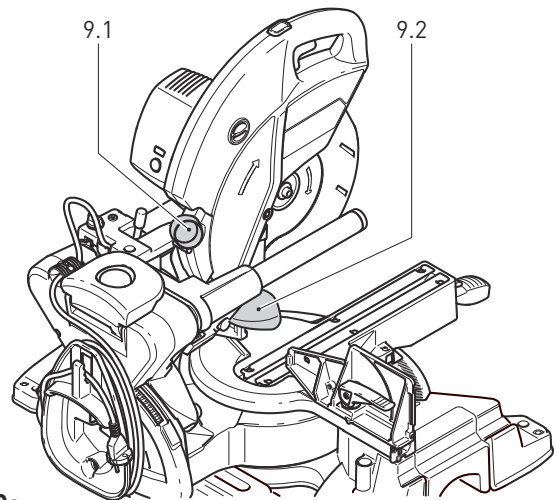
8.4 Aspiration



AVERTISSEMENT

Risques pour la santé dus aux poussières

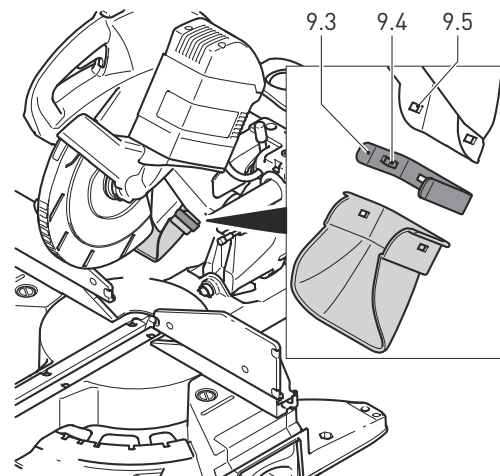
- ▶ Ne jamais travailler sans aspirateur.
- ▶ Utiliser uniquement un aspirateur conçu pour collecter le type spécifique de poussières et particules provenant du matériau coupé.
- ▶ Respecter les réglementations de l'OSHA et de la NFPA pour garantir un environnement de travail sûr.



9a

Le raccord d'aspiration [9.1] permet de raccorder un aspirateur Festool doté d'un tuyau d'aspiration de 1-7/16" ou 1-16" (36 mm ou 27 mm) de diamètre (un diamètre de 1-7/16" (36 mm) est recommandé car il réduit le risque de colmatage).

Le dispositif flexible d'évacuation de copeaux [9.2] améliore la collecte de la poussière et des copeaux. Pour cette raison, ne pas utiliser l'appareil sans le dispositif d'évacuation de copeaux.



9b

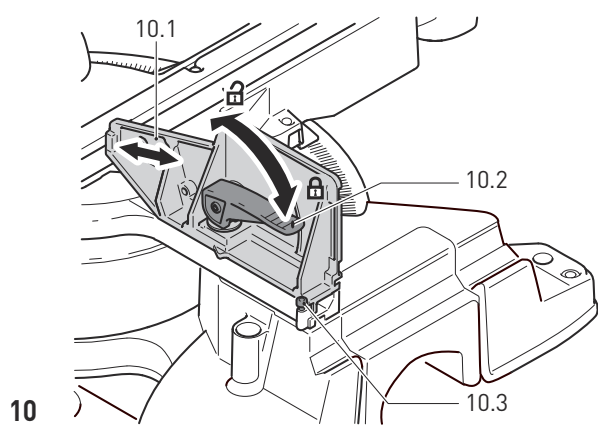
Le dispositif d'évacuation de copeaux se fixe au moyen de la pince [9.3] située sur le capot de protection. Pour cela, les crochets [9.4] de la pince doivent se verrouiller dans les évidements [9.5] du capot de protection.

8.5 Réglage de l'extension de table

- ▶ Ouvrir le bouton rotatif [1.9].
- ▶ Sortir l'extension de table [1.8] jusqu'à ce que la pièce soit entièrement soutenue.
- ▶ Fermer le bouton rotatif.

i Si la pièce dépasse alors que l'extension de table est complètement sortie, elle doit être soutenue d'une autre manière.

8.6 Butée de pièce



Réglage de la règle de butée

Pour les coupes d'onglet, régler les règles de butée [10.1] afin qu'elles ne gênent pas le fonctionnement du capot de protection pendulaire ou qu'elles n'entrent pas en contact avec la lame de scie.

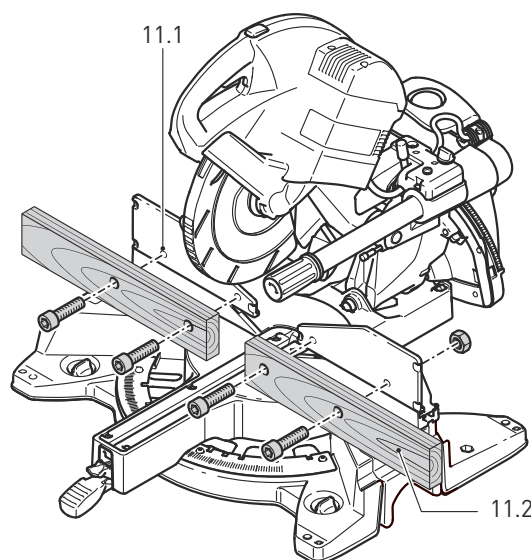
- ▶ Desserrer le levier de serrage [10.2].
- ▶ Déplacer la règle de butée jusqu'à ce que le plus petit écart par rapport à la lame de scie pendant l'utilisation s'élève au maximum à 3/16" (4,5 mm).
- ▶ Resserrer le levier de serrage.

Retirer une règle de butée

Lors de certaines coupes d'onglet, il peut être nécessaire de retirer une règle de butée afin d'éviter qu'elle n'entre en collision avec le bloc de sciage.

- ▶ Visser la vis [10.3] aussi profondément que possible dans le trou fileté.
- ▶ La règle de butée peut maintenant être retirée par le côté.
- ▶ Dévisser la vis de trois tours après avoir remis en place la règle de butée.

Butée auxiliaire



Pour étendre la surface de butée, il est possible de monter dans les trous [11.1] des deux règles de butée une butée auxiliaire en bois [11.2]. Ceci permet un positionnement plus fiable des pièces de grande taille.

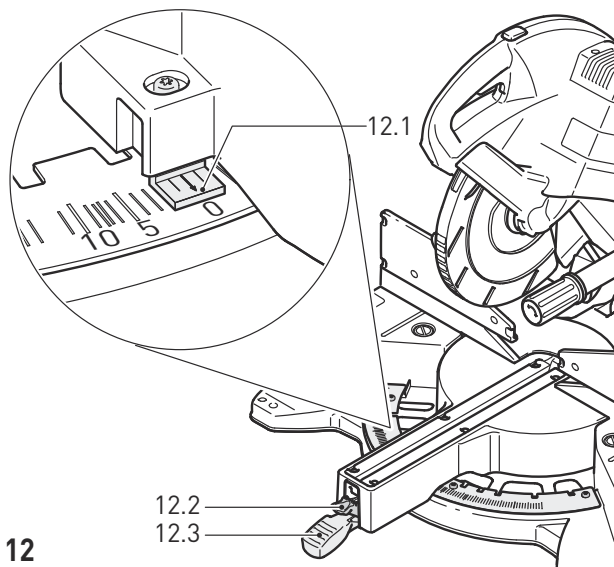
Attention :

- Les vis de fixation des butées auxiliaires ne doivent pas dépasser de la surface.
- Les butées auxiliaires doivent uniquement être utilisées pour les coupes à 0°.
- Les butées auxiliaires ne doivent pas compromettre le fonctionnement des capots de protection.

8.7 Angle d'onglet horizontal

Le réglage de l'angle d'onglet horizontal s'effectue sur une plage de 50° (côté gauche) à 60° (côté droit). Par ailleurs, il est possible de pré-régler les angles d'onglet usuels.

La flèche du curseur [12.1] montre l'angle d'onglet horizontal choisi. Les deux repères, à droite et à gauche de la flèche du curseur, permettent un réglage précis sur un demi-degré. Pour cela, ces deux repères doivent être superposés aux traits de graduation.



12

Angle d'onglet standard horizontal

Les angles d'onglet suivants peuvent être pré-réglés :

À gauche : 0°, 15°, 22,5°, 30°, 45°

À droite : 0°, 15°, 22,5°, 30°, 45°, 60°

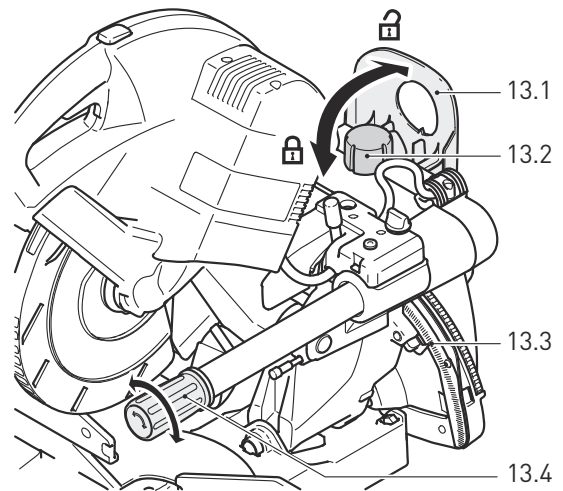
- ▶ Amener l'appareil en position de travail.
- ▶ Relever le levier de blocage **[12.3]**.
- ▶ Abaisser le levier de verrouillage **[12.2]**.
- ▶ Tourner la table de sciage jusqu'à ce que l'angle d'onglet souhaité soit atteint.
- ▶ Relâcher le levier de verrouillage. Le verrouillage du levier doit être sensible.
- ▶ Abaisser le levier de blocage.

Angle d'onglet horizontal quelconque

- ▶ Amener l'appareil en position de travail.
- ▶ Relever le levier de blocage **[12.3]**.
- ▶ Abaisser le levier de verrouillage **[12.2]**.
- ▶ Tourner la table de sciage jusqu'à ce que l'angle d'onglet souhaité soit atteint.
- ▶ Abaisser le levier de blocage.
- ▶ Relâcher le levier de verrouillage.

8.8 Angle d'onglet vertical

- ▶ Amener l'appareil en position de travail.
- ▶ Ouvrir le levier de blocage **[13.1]**.
- ▶ Tourner le sélecteur **[13.2]** sur la plage de réglage souhaitée (0° - 45°, +/-45°, ou +/-47°).
- ▶ Basculer le bloc de sciage jusqu'à ce que la position du curseur **[13.3]** corresponde à l'angle d'onglet souhaité. La poignée tournante pour le réglage de précision **[13.4]** permet un réglage très précis de l'angle d'onglet vertical.
- ▶ Resserrer le levier de blocage **[13.1]**.

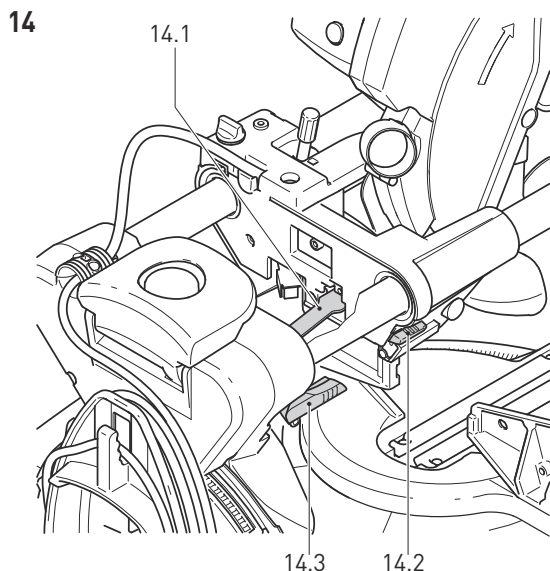


13

8.9 Position de coupe spéciale

Outre la position usuelle de coupe ou mise à longueur de planches/panneaux, l'appareil dispose d'une position de coupe spéciale destinée à la mise à longueur de baguettes d'une hauteur maximale de 4-3/4" (120 mm).

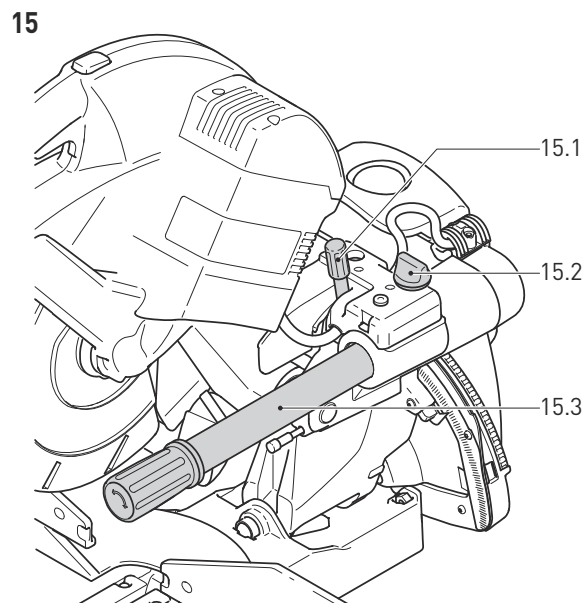
- ▶ Tirer le bloc de sciage vers l'avant.
- ▶ Abaisser le levier **[14.3]**.
- ▶ Reculer le bloc de sciage jusqu'à ce que la languette métallique **[14.1]** se bloque dans l'ouverture arrière du bloc de sciage.
- ▶ Cette position permet alors de mettre à longueur sur la butée des baguettes d'une hauteur maximale de 4-3/4" (120 mm). La fonction de traction et la fonction de pivotement vertical de la scie à onglets radiale sont toutefois désactivées.
- ▶ Pour remettre l'appareil à sa position standard, appuyer sur le levier de déverrouillage **[14.2]** et tirer le bloc de sciage vers l'avant. La languette métallique **[14.1]** est ainsi déverrouillée et le levier **[14.3]** revient à sa position d'origine.



8.10 Limitation de la profondeur de coupe

Le dispositif de limitation de la profondeur de coupe réglable en continu permet de régler la plage de pivotement verticale du bloc de sciage. Par ce biais, il est possible de rainurer ou d'affleurer des pièces.

- i Tenir compte de la limitation de la plage de rainurage : le réglage en continu est uniquement possible entre 0 et 1-12/16" (0 et 45 mm). La longueur possible pour les rainures est elle aussi limitée. Exemple : pour une profondeur de rainure de 1-14/16" (48 mm) et une épaisseur de pièce de 3-1/2" (88 mm), cette plage est de 1-1/2" à 10-5/8" (40 à 270 mm).
- ▶ Amener l'appareil en position de travail.
- ▶ Abaisser le levier de limitation de la profondeur de coupe **[15.1]** jusqu'à ce qu'il se verrouille. Ensuite, le bloc de sciage ne peut plus être abaissé au-delà de la profondeur de coupe réglée.
- ▶ Régler la profondeur de coupe souhaitée en tournant le levier de limitation de la profondeur de coupe.
- ▶ Relever le levier de limitation de la profondeur de coupe pour désactiver celle-ci.



8.11 Position horizontale fixe

Le bouton rotatif **[15.2]** permet de bloquer le bloc de sciage à une position quelconque le long des guides de traction **[15.3]**.

8.12 Activation du laser

L'appareil est doté de deux lasers servant au marquage du trait de scie à droite et à gauche de la lame de scie. Il est ainsi possible d'ajuster la position de la pièce des deux côtés (côté gauche ou droit de la lame de scie ou du trait de scie).

- ▶ Appuyer sur la touche **[2.1]** pour activer ou désactiver le laser. Si l'appareil n'est pas utilisé pendant 30 minutes, le laser est automatiquement désactivé et doit être réactivé.

9 Utilisation de l'outil électrique



AVERTISSEMENT

Projection de morceaux d'outil/de pièce Risque de blessures

- ▶ Porter des lunettes de protection !
- ▶ Tenir les autres personnes présentes à l'écart lors de l'utilisation.
- ▶ Toujours serrer solidement les pièces à travailler.
- ▶ Les serre-joints doivent reposer sur toute leur longueur.

**AVERTISSEMENT**

Le capot de protection pendulaire ne se ferme pas

Risque de blessures

- ▶ Interrompre le sciage.
- ▶ Débrancher le câble de raccordement secteur, retirer les résidus de coupe. Si le capot de protection pendulaire est endommagé, le faire remplacer.

**AVERTISSEMENT****Risque de blessures**

- ▶ Tenir compte des instructions suivantes :

- Position de travail correcte :
 - à l'avant, du côté utilisateur ;
 - face à la scie ;
 - à côté du plan de la lame de scie.
- Pendant l'utilisation, toujours tenir l'outil électroportatif par la poignée **[1-1]**. Toujours tenir l'autre main hors de la zone dangereuse.
- Utiliser uniquement l'appareil après avoir réglé l'extension de table **[1.8]** (voir chapitre 8.5).
- Ne placer l'outil électroportatif sur la pièce qu'après l'avoir mis en marche.
- Adapter la vitesse d'avance afin d'éviter toute surcharge de la machine ainsi que la fonte du plastique lors de la coupe de ce type de matériau.
- Ne pas utiliser l'outil électrique si son système électronique est défectueux. Ceci peut entraîner des vitesses de rotation excessives. La défectuosité du système électronique est reconnaissable à l'absence de démarrage progressif, une défaillance de la régulation de vitesse et un dégagement de fumée ou d'odeur de combustion de la machine.
- S'assurer avant l'utilisation que la lame de scie ne peut pas toucher les règles de butée, le dispositif de blocage de pièce, les serre-joints ou d'autres pièces de l'appareil.

i Lorsque l'outil électrique n'est pas utilisé, débrancher la fiche secteur de la prise de courant. Cela permet de prolonger la durée de vie du système électronique.

9.1 Dimensions des pièces**Dimensions maximales de la pièce sans extension au moyen d'accessoires**

Angle d'onglet réglé avec la graduation, horizontal/vertical	[mm]	Hauteur x largeur
0°/0°	88 x 305	3-1/2 x 12-1/64"
45°/0°	88 x 215	3-1/2 x 8-1/2"
0°/45° à droite	35 x 305	1-3/8" x 12-1/64"
0°/45° à gauche	55 x 305	2-3/16" x 12-1/64"
45°/45° à droite	35 x 215	1-3/8" x 8-1/2"
45°/45° à gauche	55 x 215	2-3/16" x 8-1/2"

Dimensions maximales de la pièce en cas de montage de la KA-KS 120

Le montage d'accessoires n'entraîne aucun changement de la hauteur et la largeur maximales de la pièce.

Accessoire utilisé	Longueur
KA-KS 120 (un côté)	Jusqu'à 94-1/2"(2400 mm)
KA-KS 120 (deux côtés)	Jusqu'à 189"(4800 mm)

Pièces longues

Utiliser un soutien supplémentaire pour les pièces qui dépassent de la surface de sciage :

- ▶ Réglage de l'extension de table (voir chapitre 8.5).
- ▶ Si la pièce dépasse toujours, rentrer l'extension de table et monter l'extension-butée KA-KS 120 (voir chapitre 9.1).
- ▶ Bloquer la pièce au moyen de serre-joints supplémentaires.

Pièces fines

Les pièces fines peuvent bouger ou se rompre lors du sciage.

- ▶ Les pièces fines peuvent bouger ou se rompre lors du sciage.
- ▶ Renforcer la pièce : la serrer avec des chutes de bois.

Pièces lourdes

- ▶ Afin de garantir la stabilité de l'appareil même lors du sciage de pièces lourdes, ajuster le pied d'appui au même niveau que le support.

9.2 Contrôle de la mobilité du capot de protection pendulaire



Le capot de protection pendulaire doit toujours rester mobile et pouvoir se fermer de manière autonome.

- ▶ Débrancher la fiche secteur.
- ▶ Saisir de la main le capot de protection pendulaire et essayer de le pousser dans le bloc de sciage.

Le capot de protection pendulaire doit présenter un mouvement souple et entrer presque entièrement dans le capot basculant.

Nettoyage de la zone de lame

- ▶ Toujours maintenir propre la zone entourant le capot de protection pendulaire
- ▶ Retirer la poussière et les copeaux à l'air comprimé ou avec un pinceau.

9.3 Contrôler la mobilité de la tête de sciage

La tête de sciage doit toujours pouvoir bouger sans problème et pivoter automatiquement vers le haut.

- ▶ Débrancher la fiche secteur.
- ▶ Saisir la tête de sciage par la poignée et vérifier le bon fonctionnement du pivotement automatique vers le haut en abaissant puis en relevant de manière contrôlée la tête de sciage.

Nettoyage du support de suspension de la tête de sciage

- ▶ La zone entourant le support de suspension de la tête de sciage doit toujours rester propre.
- ▶ Retirer la poussière et les copeaux à l'air comprimé ou avec un pinceau.

9.4 Serrage de la pièce

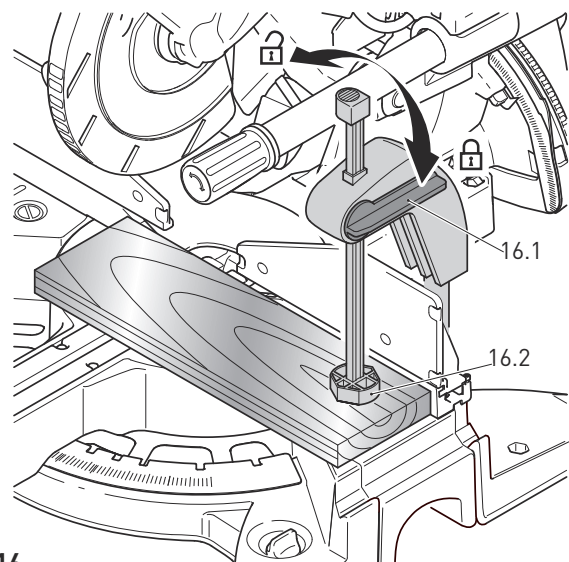
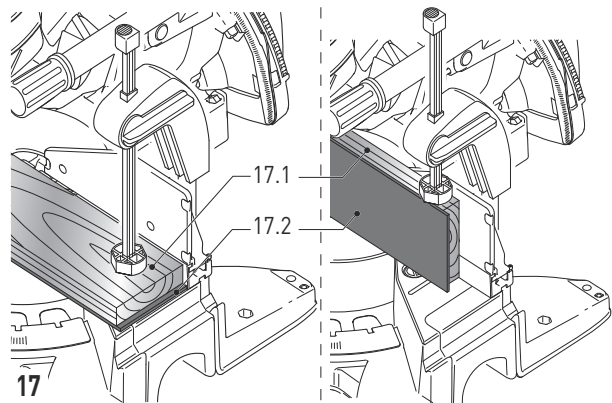


AVERTISSEMENT

Risque de blessures

- ▶ Tenir compte des instructions suivantes :
 - **Bonne fixation** - Toujours serrer les pièces avec le dispositif de blocage de pièce. Pour cela, le serre-flan [16.2] doit bien reposer sur la pièce. (**Remarque** : en fonction des contours de la pièce, par ex. contours ronds, des accessoires peuvent être nécessaires pour cela). Ne pas scier de pièces qui ne peuvent pas être serrées correctement.

- **Taille** - Ne pas scier de pièces trop petites. Pour des raisons de sécurité, le morceau coupé restant doit avoir une longueur **d'au moins 1-3/16" (30 mm)**. Les petites pièces peuvent être tirées par la lame de scie vers l'arrière dans la fente entre la lame et la règle de butée.
- Faire preuve de prudence et veiller soigneusement à ce que les pièces ne puissent pas être tirées par la lame de scie vers l'arrière dans la fente entre la lame et la règle de butée. Ce danger concerne en particulier les coupes d'onglet horizontales.
- Renforcer les pièces très fines [17.1] en les sciant ensemble à l'aide d'une barre de maintien supplémentaire [17.2]. Les pièces très fines peuvent bouger ou se rompre lors du sciage.



Pour serrer la pièce, procéder comme suit :

- ▶ Placer la pièce sur la table de sciage et l'appuyer contre les règles de butée .
- ▶ Desserrer le levier de blocage [16.1] du dispositif de blocage de pièce.

- ▶ Tourner le dispositif de blocage de pièce jusqu'à ce que le serre-flan **[16.2]** se trouve au-dessus de la pièce.
- ▶ Baisser le serre-flan sur la pièce.
- ▶ Serrer le levier de blocage **[16.1]**.

9.5 Régulation de la vitesse

La molette **[2.2]** permet de régler la vitesse de rotation en continu sur une plage de 1400 à 3600 rpm. Il est ainsi possible d'adapter de manière optimale la vitesse de coupe à chaque matériau.

Positions de molette recommandées

Bois	3 - 6
Matières plastiques	3 - 5
Matières fibreuses	1 - 3
Aluminium et profilés non ferreux	3 - 6

9.6 Coupe sans traction

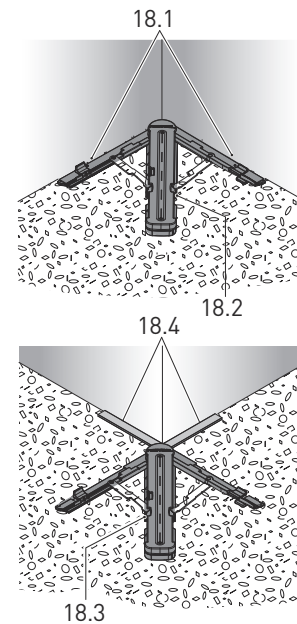
- ▶ Effectuer les réglages souhaités sur l'appareil.
- ▶ Serrer la pièce.
- ▶ Pousser le bloc de sciage jusqu'en butée vers l'arrière (vers la butée de pièce) et fermer le bouton rotatif **[1.5]** de blocage du dispositif de traction, ou fixer le bloc de sciage à la position de coupe spéciale.
- ▶ Mettre l'appareil en marche.
- ▶ Abaisser lentement le bloc de sciage avec la poignée **[1.1]** et scier la pièce à une vitesse d'avance régulière.
- ▶ Éteindre l'appareil et attendre jusqu'à l'immobilisation complète de la lame de scie.
- ▶ Relever le bloc de sciage.

9.7 Coupe en traction

- ▶ Effectuer les réglages souhaités sur l'appareil.
- ▶ Serrer la pièce.
- ▶ Tirer le bloc de sciage vers l'avant le long des guides de traction.
- ▶ Mettre l'appareil en marche.
- ▶ Abaisser lentement le bloc de sciage avec la poignée **[1.1]**.
- ▶ Pousser le bloc de sciage vers l'arrière à une vitesse d'avance régulière et scier la pièce.
- ▶ Arrêter l'appareil.
- ▶ Attendre jusqu'à l'immobilisation complète de la lame de scie avant de relever le bloc de sciage.

9.8 Fausse-équerre

La fausse-équerre permet de relever des angles quelconques (par ex. entre deux murs). La fausse-équerre forme la bissectrice.



Relevé d'angle intérieur

- ▶ Ouvrir le dispositif de blocage **[18.2]**.
- ▶ Placer les deux bras de la fausse-équerre **[18.1]** sur l'angle intérieur.
- ▶ Fermer le dispositif de blocage **[18.2]**.

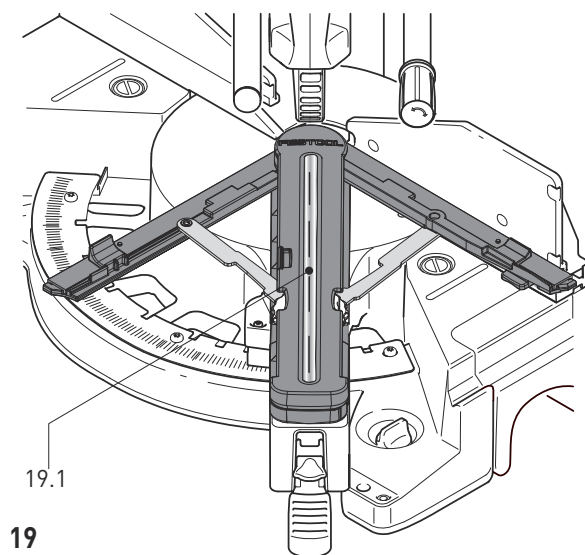
Relevé d'angle extérieur

- ▶ Ouvrir le dispositif de blocage **[18.3]**.
- ▶ Déplacer les profilés en aluminium **[18.4]** des deux bras vers l'avant.
- ▶ Placer les deux bras de la fausse-équerre **[18.4]** sur l'angle extérieur.
- ▶ Fermer le dispositif de blocage **[18.3]**.
- ▶ Reculer les profilés en aluminium des deux bras.

Report de l'angle

- ▶ Placer un bras de la fausse-équerre contre une règle de butée de la scie à onglets radiale.
- ▶ Pour le réglage de la bissectrice (angle d'onglet horizontal), basculer le bloc de sciage jusqu'à ce que le faisceau laser se superpose à la ligne **[19.1]** de la fausse-équerre.

- ⓘ Pour cela, déplacer la fausse-équerre parallèlement à la butée de la scie à onglets radiale. Presser en même temps la fausse-équerre avec le pouce dans la poignée contre la règle de butée.



10 Entretien et maintenance



AVERTISSEMENT

Tout travail de maintenance ou de réparation, qui nécessite l'ouverture du moteur ou du carter d'engrenages doit uniquement être effectué par un centre service-client autorisé (nom fourni par votre revendeur) !

- Les travaux de maintenance ou de réparation effectués par un personnel non autorisé peuvent conduire à la mauvaise connexion de câbles d'alimentation ou d'autres composants, ce qui peut entraîner à son tour des accidents avec des conséquences graves.

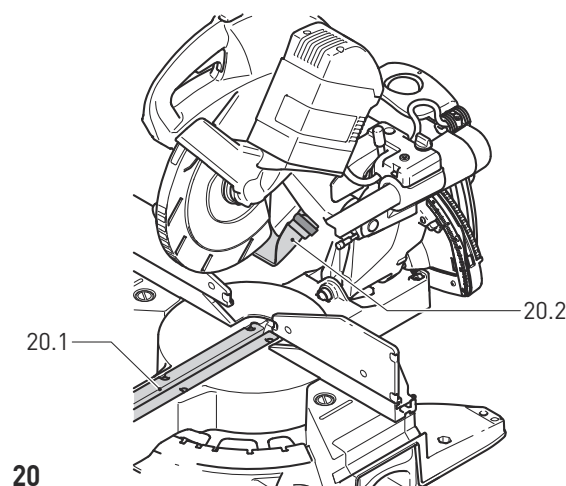


ATTENTION

Certains produits nettoyants et solvants sont nocifs pour les pièces en plastique.

- Quelques exemples de produit nocif : essence, acétone, méthyléthylcétone (MEK), chlorure de carbonyle, solutions nettoyantes contenant du chlore, de l'ammoniac et les produits ménagers contenant de l'ammoniac.
- Sauf indication contraire dans la notice d'utilisation, les dispositifs de protection et pièces endommagés doivent être réparés ou remplacés dans les règles de l'art par un atelier spécialisé agréé.
- Nettoyer régulièrement la plaque de recouvrement [20.1] ainsi que le canal d'aspiration du dispositif d'évacuation de copeaux (voir illustration [20.2]) avec de l'air comprimé ou un pinceau afin de retirer les

éclats de bois, dépôts de poussière et résidus de pièces.



- Pour garantir la circulation de l'air, les ouïes de ventilation sur le boîtier doivent toujours rester propres et dégagées.



Le nettoyage régulier de la machine, notamment des dispositifs de réglage et de guidage, constitue un facteur de sécurité important.

L'appareil est équipé de charbons spéciaux à coupure automatique. Lorsque ceux-ci sont usés, l'alimentation est coupée et l'appareil s'arrête.



Service après-vente et réparation uniquement par le fabricant ou des ateliers homologués. Pour trouver l'adresse la plus proche : www.festoolusa.com/service



Utiliser uniquement des pièces détachées Festool d'origine ! Réf. sur : www.festoolusa.com/service

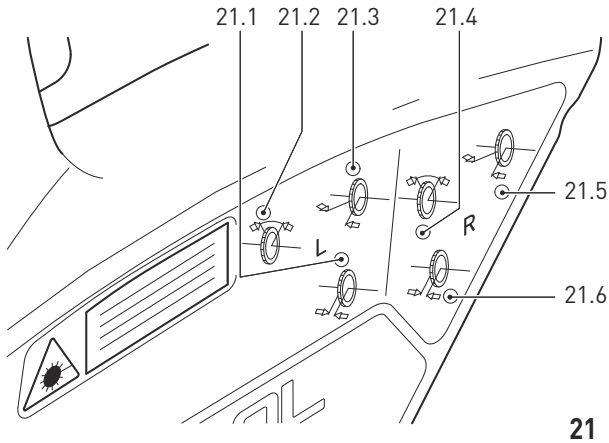
10.1 Réglage du laser

- ① Les faisceaux laser ont été réglés correctement en usine. Utiliser les vis de réglage uniquement dans les cas indiqués.

Si les faisceaux laser et l'arête de coupe ne coïncident pas, il est possible de réajuster les deux lasers. Pour cela, utiliser un tournevis six pans creux (de 3/32" (2.5 mm)).

- À l'aide du tournevis six pans creux, percer l'autocollant aux points repérés [21.1] à [21.6] pour accéder aux vis de réglage situées au-dessous.
- Pour effectuer un contrôle du laser, placer un échantillon sur l'appareil.
- Scier une rainure dans la pièce.

- Relever la tête de la scie et contrôler le réglage.



Le faisceau laser n'est pas visible

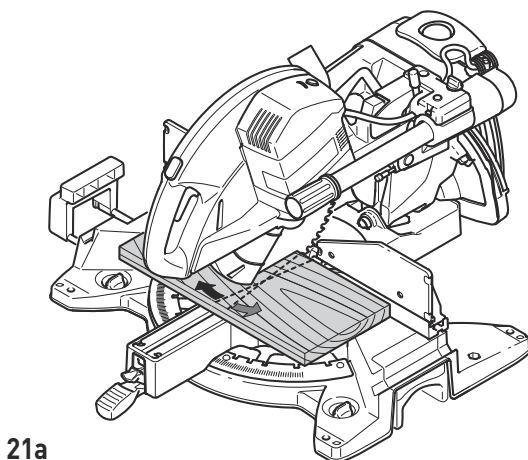
- Activer le laser [1.2]
- Identifier le faisceau laser qui n'est pas visible.
 - ▷ Tourner les vis de réglage [21.2] des faisceaux laser gauche et [21.4] droit jusqu'à ce que le faisceau laser soit visible sur la pièce.
 - ▷ Régler d'abord, comme décrit, (a) le parallélisme avec le tracé, puis (b) l'inclinaison et, pour terminer, (c) le décalage axial du faisceau laser.

a) Le faisceau laser n'est pas parallèle au tracé [illustration 21A]

Régler le parallélisme.

Faisceau laser gauche Vis de réglage [21.3]

Faisceau laser droit Vis de réglage [21.5]



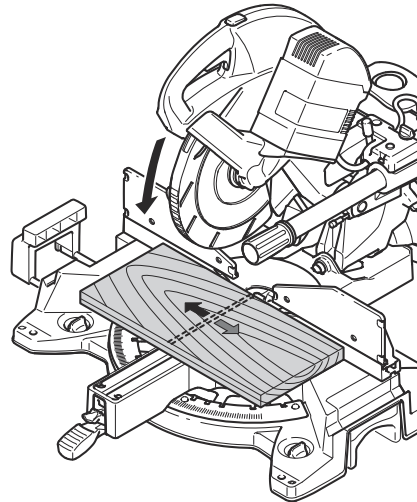
21a

b) Lors de la coupe de mise à longueur, le faisceau laser bouge vers la gauche ou la droite [illustration 21B]

Régler l'inclinaison jusqu'à ce que le faisceau laser ne bouge plus lors de la coupe de mise à longueur.

Faisceau laser gauche Vis de réglage [21.2]

Faisceau laser droit Vis de réglage [21.4]



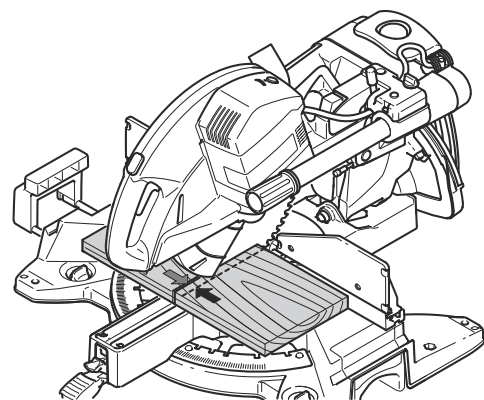
21b

c) Le faisceau laser ne se trouve pas au point de coupe [illustration 21C]

Régler le décalage axial.

Faisceau laser gauche Vis de réglage [21.1]

Faisceau laser droit Vis de réglage [21.6]



21c

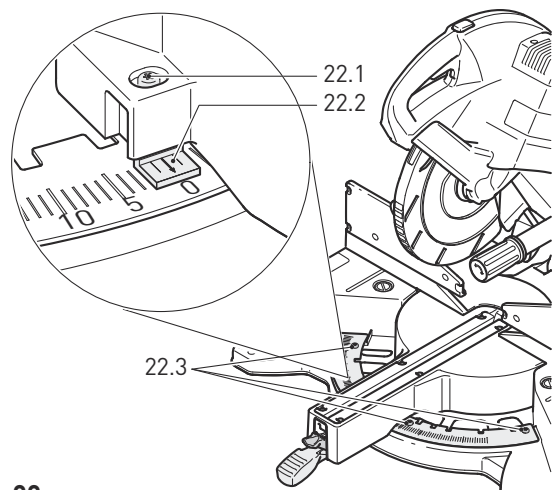
10.2 Rectification de l'angle d'onglet horizontal

Si la position du curseur [12.1] ne correspond plus à la valeur sélectionnée pour les angles d'onglet pré-réglés, il est possible de réajuster le curseur après desserrage de la vis [22.1].

Si l'angle d'onglet réel (sur la pièce sciée) diffère de la valeur de réglage, il peut être rectifié :

- Bloquer le bloc de sciage à la position 0°.

- ▶ Desserrer les trois vis **[22.3]** maintenant la graduation sur la table de sciage.
- ▶ Déplacer la graduation avec le bloc de sciage jusqu'à ce que la valeur réelle s'élève à 0°. Pour s'en assurer, placer une équerre entre la règle de butée et la lame de scie.
- ▶ Resserrer les trois vis **[22.3]**.
- ▶ Contrôler le réglage d'angle en effectuant une coupe d'essai.

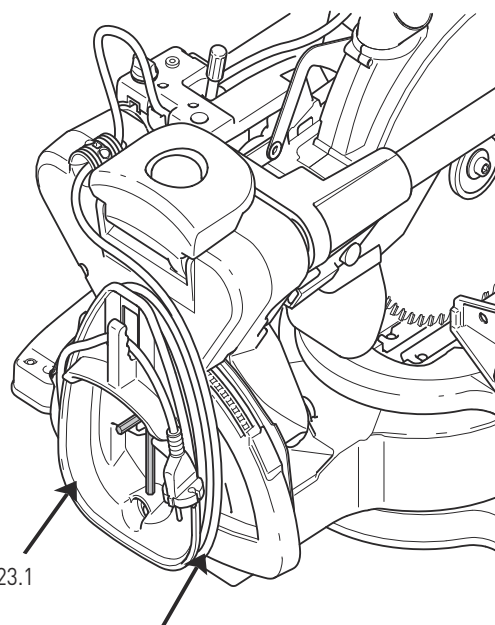


22

10.3 Rectification de l'angle d'onglet vertical

Si la valeur réelle ne correspond plus à la valeur sélectionnée, il est possible de procéder à une rectification :

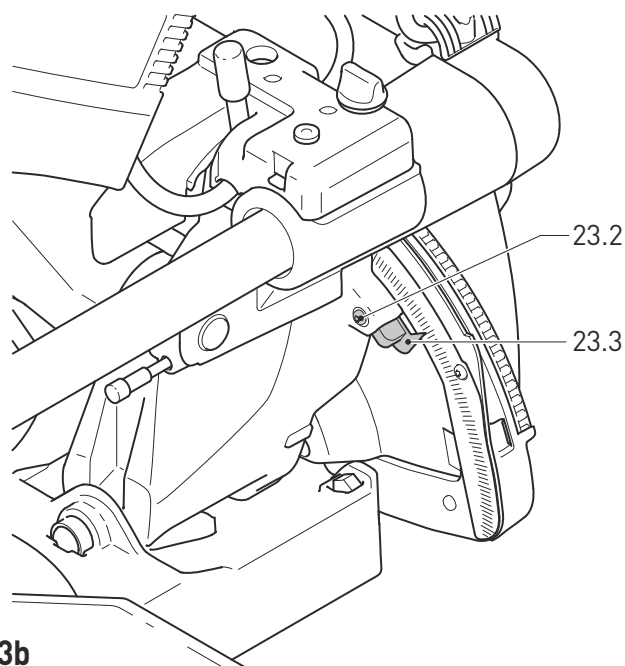
- ▶ Bloquer le bloc de sciage à la position 0°.
- ▶ Desserrer les deux vis **[23.1]**.
- ▶ Basculer le bloc de sciage jusqu'à ce que la valeur réelle s'élève à 0°. Pour s'en assurer, placer une équerre entre la table de sciage et la lame de scie.
- ▶ Resserrer les deux vis **[23.1]**.
- ▶ Contrôler le réglage d'angle en effectuant une coupe d'essai.



23a

23.1

Si la position du curseur **[23.3]** ne correspond plus à la valeur sélectionnée, il est possible de réajuster le curseur après desserrage de la vis **[23.2]**.

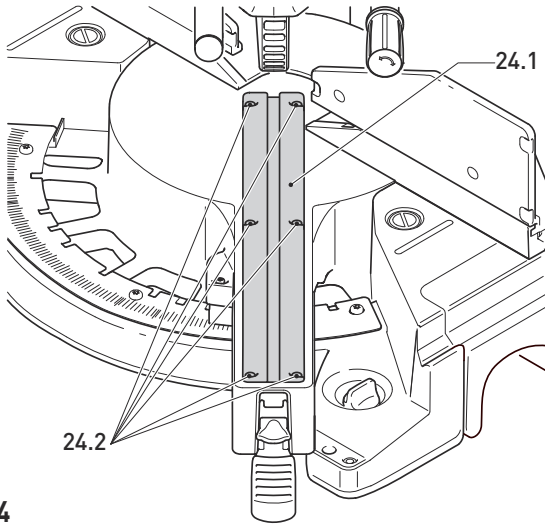


23b

10.4 Remplacement de la plaque de recouvrement

Ne pas utiliser l'appareil avec une plaque de recouvrement usée **[20.1]**. La remplacer par une nouvelle.

- ▶ Pour le remplacement, desserrer les six vis **[24.2]**.

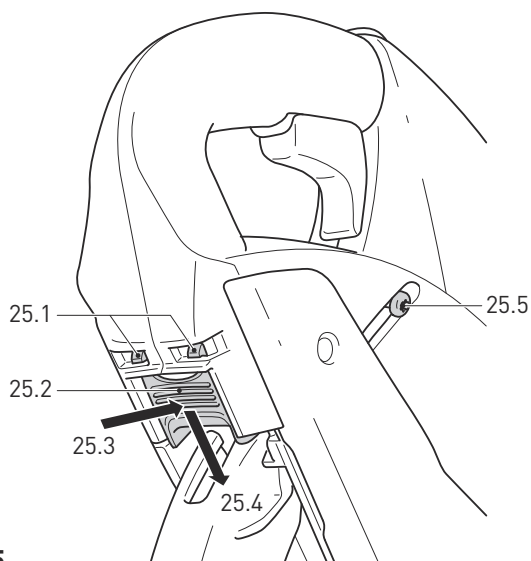


24

10.5 Nettoyer ou remplacer la protection du laser

La protection [25.2] du laser peut s'encrasser pendant le fonctionnement. Il est possible de la démonter pour la nettoyer ou la remplacer.

- ▶ Desserrer la vis [25.5] d'env. 2 tours.
- ▶ Appuyer sur la protection simultanément dans le sens [25.3] et dans le sens [25.4].
- ▶ Retirer la protection.
- ▶ Nettoyer la protection ou la remplacer.
- ▶ Mettre en place la protection nettoyée/la nouvelle protection. Les deux ergots [25.1] de la protection doivent se verrouiller dans les évidements du capot de protection supérieur comme représenté dans l'illustration 21.
- ▶ Serrer la vis [25.5].



25

plet. Remplacer les avertissements manquants ou illisibles.

11 Accessoires

Utiliser uniquement des accessoires d'origine Festool.

Vous trouverez les références des accessoires et des outils dans votre catalogue Festool ou sur Internet à l'adresse www.festoolusa.com.

Outre les accessoires décrits, Festool propose une vaste palette d'accessoires système permettant une utilisation polyvalente et efficace de la scie, par ex. :

- Lames de scie pour différents matériaux.
- Extension-butée KA-KS 120
- Châssis de transport UG-KAPEX KS 120
- Butée inclinée AB KS 120

12 Environnement
















Ne jetez pas l'appareil avec les ordures ménagères ! Éliminez l'appareil, les accessoires et les emballages de façon compatible avec l'environnement. Respectez les prescriptions nationales en vigueur.

Vérifier que les avertissements figurant sur l'outil électroportatif sont lisibles et au com-

Índice de contenidos

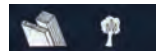
1	Símbolos.....	46
2	Sobre este manual.....	47
3	Indicaciones de seguridad.....	47
4	Uso conforme a lo previsto.....	52
5	Datos técnicos.....	52
6	Componentes de la herramienta.....	52
7	Primera puesta en marcha.....	53
8	Ajustes.....	55
9	Trabajo con la herramienta eléctrica.....	59
10	Mantenimiento y cuidado.....	63
11	Accesorios.....	66
12	Medio ambiente.....	66

1 Símbolos

-  Aviso de peligro general
-  Peligro de electrocución
-  ¡Leer el manual de instrucciones y las indicaciones de seguridad!
-  ¡Zona peligrosa! ¡Mantener alejadas las manos!
-  Utilizar gafas de protección
-  Utilizar protección respiratoria.
-  Usar protección para los oídos
-  ¡Cuidado con los rayos láser!
-  Utilizar guantes de protección
-  No depositar en la basura doméstica.
-  Clase de protección II
-  Consejo, indicación
-  Guía de procedimiento
-  Sistema electrónico con número de revoluciones constante y control de temperatura
-  Sistema FastFix de cambio de herramienta



Freno para un trabajo seguro



Madera



Tableros de madera laminada



Placas de cemento reforzadas con fibra eternita



Aluminio

W Vatio

mm milímetro

" pulgada

rpm
min⁻¹ revoluciones por minuto

A Amperios

V Voltio

Hz hertzios

n₀ revoluciones por minuto en vacío

kg kilogramo

lb. libras

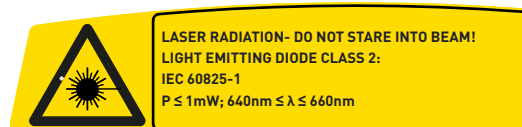
° grado angular

AVERTISSEMENT Portez une protection oculaire. Veillez à ce que votre corps, notamment vos mains, soit toujours en dehors de la trajectoire de la lame de scie. Tout contact avec la lame provoque des blessures graves. Contrôlez le système de protection pour vous assurer qu'il fonctionne correctement. N'effectuez aucune opération à main levée. N'approchez jamais vos mains de la lame de scie. Avant de déplacer la pièce à usiner ou de modifier des réglages, mettez l'appareil à l'arrêt et attendez jusqu'à ce que la lame de scie soit complètement immobile.

WARNING Wear eye protection. Keep hands and body out of the path of the saw blade. Contact with blade will result in serious injury. Check guarding system to make sure it is functioning correctly. Do not perform any operation freehand. Never reach around saw blade. Turn off tool and wait for saw blade to stop before moving workpiece or changing settings.

ADVERTENCIA Lleve protección ocular. Mantenga las manos y las demás partes del cuerpo alejadas de la trayectoria de la hoja de sierra. El contacto con la hoja ocasiona lesiones graves. Compruebe el sistema de protección para asegurarse de que funciona correctamente. No efectúe ninguna operación a mano alzada. Nunca se acerque demasiado a la hoja de sierra ni la toque. Desconecte la herramienta y espere a que la hoja se detenga antes de desplazar la pieza de trabajo o de modificar los ajustes.

ADVERTENCIA lleve protección ocular. Mantenga las manos y las demás partes del cuerpo alejadas de la trayectoria de la hoja de sierra. El contacto con la hoja ocasiona lesiones graves. Compruebe el sistema de protección para asegurarse de que funciona correctamente. No efectúe ninguna operación a mano alzada. Nunca se acerque demasiado a la hoja de sierra ni la toque. Desconecte la herramienta y espere a que la hoja se detenga antes de desplazar la pieza de trabajo o de modificar los ajustes.



RADIACIÓN LÁSER no mire al rayo directamente. La luz emite diodos de la clase 2, EN 60825-1 P ≤ 1 mW; 640 nm ≤ λ ≤ 660 nm.

2 Sobre este manual

Guarde estas instrucciones

Es importante que usted lea y entienda este manual. La información que contiene se relaciona con la protección de **su seguridad y la prevención de problemas**. Los símbolos que siguen se utilizan para ayudarlo a reconocer esta información.



PELIGRO

Descripción de peligro inminente y fracaso para evitar riesgos que podran causar la muerte.



ADVERTENCIA

Descripción de peligro y posibles lesiones resultantes o la muerte.



PRECAUCIÓN

Descripción de peligro y posibles lesiones resultantes.

AVISO

Descripción de los posibles daños en el dispositivo o en su entorno.

3 Indicaciones de seguridad

3.1 Indicaciones de seguridad generales para herramientas eléctricas



¡ADVERTENCIA! Leer todas las indicaciones de seguridad, instrucciones, ilustraciones y datos técnicos que acompañan a esta herramienta eléctrica. Si no se cumplen debidamente las instrucciones siguientes, puede producirse una descarga eléctrica, quemaduras o lesiones graves.

Guarde todas las indicaciones de seguridad e instrucciones para que sirvan de futura referencia.

El término «herramienta eléctrica» empleado en las indicaciones de seguridad hace referencia a herramientas eléctricas conectadas a la red eléctrica (con un cable de red) o a herramientas eléctricas alimentadas con batería (sin cable de red).

1 SEGURIDAD EN EL LUGAR DE TRABAJO

- Mantenga su zona de trabajo limpia y bien iluminada.** El desorden o la falta de iluminación en las zonas de trabajo pueden dar lugar a accidentes.
- No trabaje con la herramienta eléctrica en entornos potencialmente explosivos donde se encuentren líquidos, gases o polvos inflamables.** Las herramientas eléctricas

producen chispas que pueden inflamar el polvo o los vapores.

- Mantenga a niños y adultos alejados de la herramienta eléctrica durante el uso.** Si se distrae, puede perder el control de la herramienta eléctrica.

2 SEGURIDAD ELÉCTRICA

- El conector de la herramienta eléctrica debe encajar en el enchufe. El conector no debe modificarse en modo alguno. No utilice conectores adaptadores con herramientas eléctricas con puesta a tierra.** Unos conectores intactos y unos enchufes adecuados reducen el riesgo de descarga eléctrica.
- Evite el contacto físico con superficies con puesta a tierra como las de tuberías, calefacciones, cocinas y frigoríficos.** Existe un riesgo elevado de descarga eléctrica si su cuerpo está en contacto con la tierra.
- Mantenga las herramientas eléctricas lejos de la lluvia y la humedad.** La penetración de agua en una herramienta eléctrica aumenta el riesgo de descarga eléctrica.
- No utilice el cable de conexión para transportar o colgar la herramienta eléctrica ni para extraer el conector del enchufe. Mantenga el cable de conexión alejado del calor, aceite, cantos afilados o piezas en movimiento.** Los cables de conexión dañados o enredados aumentan el riesgo de descarga eléctrica.
- Si trabaja con una herramienta eléctrica al aire libre, utilice únicamente alargadores aptos para el uso en exteriores.** El empleo de alargadores aptos para el uso en exteriores reduce el riesgo de descarga eléctrica.
- Cuando sea inevitable el uso de la herramienta eléctrica en un entorno húmedo, utilice un interruptor diferencial.** El uso de un interruptor diferencial reduce el riesgo de que se produzca una descarga eléctrica.

3 SEGURIDAD DE LAS PERSONAS

- Sea cuidadoso, preste atención a lo que está haciendo y actúe con prudencia al trabajar con herramientas eléctricas. No utilice ninguna herramienta eléctrica si está cansado o bajo los efectos de drogas, alcohol o medicamentos.** Una mínima distracción mientras está utilizando la herramienta eléctrica puede ocasionarle graves lesiones.

- b. **Lleve puesto el equipo de protección individual y utilice gafas de protección en todo momento.** El empleo del equipamiento de protección personal como p. ej. mascarilla, guantes de seguridad antideslizantes, casco o protección de oídos, según el tipo y la aplicación de la herramienta eléctrica, reduce el riesgo de lesiones.
- c. **Evite un arranque accidental de la herramienta. Asegúrese de que está desconectada antes de conectarla al suministro de corriente o la batería, recogerla o transportarla.** Existe peligro de accidente si transporta la herramienta eléctrica con el dedo sobre el interruptor o si conecta la herramienta eléctrica a la red estando encendida.
- d. **Retire las herramientas de ajuste y las llaves de tornillos antes de conectar la herramienta eléctrica.** Si una herramienta o llave se encuentra en una pieza en movimiento de la herramienta eléctrica, pueden producirse lesiones.
- e. **Evite una postura anormal del cuerpo. Procure un apoyo seguro y mantenga el equilibrio en todo momento.** De esta manera podrá controlar mejor la herramienta eléctrica en situaciones inesperadas.
- f. **Utilice ropa adecuada. No utilice ropa ancha ni objetos de joyería o bisutería. Mantenga el pelo y la ropa alejados de las piezas en movimiento.** La ropa holgada, las joyas o el pelo largo pueden quedar atrapados por piezas en movimiento.
- g. **Si se montan dispositivos de aspiración o recogida de polvo, estos deberán conectarse y utilizarse correctamente.** El empleo de un sistema de aspiración del polvo puede disminuir los peligros a causa del polvo.
- h. **No se cree un falso sentido de la seguridad ni ignore las normas de seguridad de las herramientas eléctricas, ni siquiera si está muy familiarizado con el uso de la herramienta.** Una distracción durante el manejo puede derivar en graves lesiones en cuestión de pocas fracciones de segundo.

4 USO Y MANEJO DE LA HERRAMIENTA ELÉCTRICA

- a. **No sobrecargue la herramienta eléctrica. Utilice la herramienta eléctrica adecuada para el trabajo que va a realizar.** Con la herramienta apropiada trabajará mejor y

más seguro en el rango de potencia especificado.

- b. **No utilice ninguna herramienta eléctrica cuyo interruptor esté defectuoso.** Una herramienta eléctrica que no se pueda conectar o desconectar resulta peligrosa y es necesario repararla.
- c. **Extraiga el conector del enchufe o retire la batería extraíble antes de efectuar los ajustes de la herramienta, cambiar piezas o guardar la herramienta eléctrica.** Esta medida de seguridad impide el arranque accidental de la herramienta eléctrica.
- d. **Mantenga las herramientas eléctricas que no esté utilizando fuera del alcance de los niños. No permita que la herramienta eléctrica sea utilizada por personas que no estén familiarizadas con ella o no hayan leído las presentes indicaciones.** Las herramientas eléctricas en manos inexpertas pueden ser peligrosas.
- e. **Trate las herramientas eléctricas y las herramientas intercambiables con cuidado. Compruebe si las partes móviles funcionan correctamente y no se atascan, y si hay piezas rotas o tan deterioradas que podrían mermar el funcionamiento de la herramienta eléctrica. Haga reparar las piezas deterioradas antes de usar la herramienta eléctrica.** Muchos accidentes tienen su origen en un mantenimiento deficiente de las herramientas eléctricas.
- f. **Mantenga las herramientas cortantes limpias y afiladas.** Las herramientas cortantes bien cuidadas con aristas de corte afiladas se atascan menos y se guían más fácilmente.
- g. **Utilice la herramienta eléctrica, las herramientas intercambiables, etc., de acuerdo con estas instrucciones. Para ello, tenga en cuenta las condiciones de trabajo y la actividad que debe realizar.** El uso de herramientas eléctricas en aplicaciones diferentes a las previstas puede dar lugar a situaciones peligrosas.
- h. **Mantenga las superficies de agarre y los mangos secos, limpios y libres de aceite y grasa.** Un mango o unas superficies de agarre resbaladizos no permiten un manejo y control seguros de la herramienta eléctrica en situaciones imprevistas.

5 SERVICIO

- a. **Encargue la reparación de su herramienta eléctrica únicamente a personal técnico**

calificado y solo con piezas de recambio originales. De esta forma queda garantizada la seguridad de la herramienta eléctrica.

- b. **Utilice exclusivamente piezas originales para la reparación y el mantenimiento de la herramienta.** El uso de accesorios o piezas de recambio no previstos puede producir descargas eléctricas o lesiones.

3.2 Indicaciones de seguridad específicas

- **Las sierras ingletadoras están diseñadas para cortar madera o productos a base de madera y no pueden utilizarse para cortar materiales ferrosos como varas, barras, tornillos, etc.** El polvo abrasivo provoca el bloqueo de las piezas móviles, como la caperuza de protección inferior. Las chispas de corte pueden quemar la caperuza de protección inferior, la placa de inserción y otras piezas de plástico.
- **A ser posible, fije la pieza de trabajo con un sargento. Si sujeta la pieza de trabajo con la mano, esta debe colocarse como mínimo a 100 mm de distancia a cada lado de la hoja de sierra. No utilice esta sierra para cortar piezas demasiado pequeñas, para fijarlas o para sujetarlas con la mano.** Si su mano está demasiado cerca de la hoja de sierra, aumenta el riesgo de que se lesione por entrar en contacto con la hoja de sierra.
- **La pieza de trabajo debe estar inmóvil, así como fijada o presionada contra el tope y la mesa. No deslice la pieza de trabajo hacia la hoja de sierra ni corte nunca a pulso.** Las piezas de trabajo sueltas o que se mueven podrían salir despedidas a gran velocidad y provocar lesiones.
- **Deslice la sierra por la pieza de trabajo. Evite tirar de la sierra a través de la pieza de trabajo. Para practicar un corte, levante el cabezal de la sierra y colóquelo sobre la pieza de trabajo sin cortar. A continuación conecte el motor, incline el cabezal de la sierra hacia abajo y presione la sierra a través de la pieza de trabajo.** Al realizar cortes oblicuos existe el peligro de que la hoja de sierra se levante de la pieza de trabajo y que la unidad de hoja de sierra salga despedida violentamente hacia el usuario.
- **No cruce nunca la mano por encima de la línea de corte existente, ni por delante ni por detrás de la hoja de sierra.** Es muy peligroso sostener la pieza de trabajo con las manos cruzadas, es decir, sujetarla por la derecha de la hoja de sierra con la mano izquierda o viceversa.
- **No meta las manos por detrás del tope cuando la hoja de sierra se encuentre en rotación. Mantenga siempre una distancia de seguridad de 100 mm entre la mano y ambos lados de la hoja de sierra en rotación, p. ej., al retirar residuos de madera.** Es probable que no aprecie lo cerca que la hoja de sierra en rotación se encuentra de su mano y puede sufrir lesiones graves.
- **Compruebe la pieza de trabajo antes de cortar. Si la pieza de trabajo está doblada o alabeada, fíjela con el lado curvado mirando afuera hacia el tope. Asegúrese siempre de que a lo largo de la línea de corte no haya ningún espacio entre la pieza de trabajo, el tope y la mesa.** Las piezas de trabajo dobladas o alabeadas pueden darse la vuelta o moverse y provocar que la hoja de sierra en rotación se atasque al cortar. La pieza de trabajo debe estar libre de clavos y cuerpos extraños.
- **Utilice la sierra solo si la mesa está despejada de herramientas, residuos de madera, etc.; en la mesa solo debe estar la pieza de trabajo.** Los residuos pequeños, los trozos de madera sueltos u otros objetos pueden salir despedidos a gran velocidad si entran en contacto con la hoja en rotación.
- **Corte las piezas de trabajo de una en una.** Las piezas de trabajo apiladas no pueden fijarse ni sujetarse correctamente y pueden provocar un atasco o desplazamiento de la hoja al serrar.
- **Asegúrese de que, antes de utilizarla, la sierra ingletadora se encuentre sobre una superficie de trabajo lisa y fija.** De esta manera se reduce el riesgo de que la sierra ingletadora se desestabilice.
- **Planifique el trabajo. Cada vez que regule el ángulo a inglete, asegúrese de que el tope ajustable esté correctamente ajustado y de que la pieza de trabajo se apoye sin entrar en contacto con la hoja ni con la caperuza de protección.** Simule el movimiento completo de corte de la hoja de sierra sin conectar la máquina y sin colocar la pieza de trabajo sobre la mesa para descartar cualquier impedimento o peligro de cortar el tope.

- **Si se van a cortar piezas de trabajo que son más anchas o largas que la superficie de la mesa, asegúrese de que se apoyen correctamente, p. ej., utilizando prolongaciones de mesa o caballetes.** Las piezas de trabajo más largas o anchas que la mesa de la sierra ingletadora pueden volcar si no se apoyan firmemente. Si un pedazo de madera recortado o la pieza de trabajo vuelcan, pueden levantar la caperuza de protección inferior o salir despedidos de la hoja en rotación de manera incontrolada.
- **No recurra a otras personas para que actúen a modo de prolongación de la mesa o de apoyo adicional.** Un apoyo inestable de la pieza de trabajo puede provocar el atasco de la hoja. Además, la pieza de trabajo puede desplazarse durante el corte y arrastrarle a usted o a la otra persona contra la hoja en rotación.
- **El pedazo recortado no debe presionarse contra la hoja de sierra en rotación.** Si hay poco espacio, p. ej. al utilizar topes longitudinales, el pedazo recortado puede topar con la hoja y salir despedido con fuerza.
- **Utilice siempre un sargento o un dispositivo adecuado para apoyar correctamente las piezas cilíndricas como barras o tubos.** Las barras tienden a rodar cuando se cortan, con el consiguiente peligro de que la hoja se atasque y la pieza de trabajo y su mano se vean atraídas hacia la hoja.
- **Deje que la hoja alcance plena velocidad antes de introducirla en la pieza de trabajo.** De esta manera se reduce el riesgo de que la pieza de trabajo salga despedida.
- **Si la pieza de trabajo se atasca o se bloquea la hoja, desconecte la sierra ingletadora. Espere a que todas las piezas móviles se detengan, desenchufe el conector de red o extraiga la batería. A continuación, retire el material atascado.** Si sigue serrando cuando se produce un bloqueo de este tipo, puede producirse una pérdida de control o daños en la sierra ingletadora.
- **Una vez finalizado el corte, suelte el interruptor, mantenga el cabezal de la sierra hacia abajo y espere a que la hoja se detenga antes de retirar el pedazo recortado.** Es muy peligroso acercar la mano a la hoja mientras esta se está frenando.
- **Agarre con firmeza la empuñadura si realiza cortes incompletos o si suelta el interruptor antes de que el cabezal de sierra**

haya alcanzado su posición inferior. El efecto de frenado de la sierra puede provocar un retroceso del cabezal hacia abajo, lo cual puede causar lesiones.

3.3 Herramientas y partes de herramienta

- **Utilizar siempre hojas de sierra con el tamaño adecuado y con un taladro de alojamiento apropiado (p. ej., con forma de estrella o redondo).** Las hojas de sierra que no se adaptan a las piezas de montaje de la sierra funcionan descentradas y pueden desprender o despedir astillas del material. Estas astillas pueden alcanzar los ojos del usuario o de las personas que se encuentren alrededor.
- No utilice hojas de sierra deformadas o agrietadas ni hojas que presenten cuchillas defectuosas o sin filo.
- Utilice exclusivamente hojas de sierra adecuadas para el número de revoluciones máximo de la sierra.
- Transporte la hoja de sierra exclusivamente en un embalaje adecuado. Recomendamos utilizar el embalaje original.
- Utilice exclusivamente hojas de sierra recomendadas por el fabricante y adecuadas para el material que desee mecanizar. Ello evita un sobrecalentamiento de los dientes de sierra al serrar.

3.4 Otras indicaciones de seguridad

- **Utilizar solamente hojas de sierra que cumplan con las indicaciones para el uso conforme a lo previsto.** Las hojas de sierra que no se adaptan a las piezas de montaje de la sierra funcionan descentradas y pueden desprender o despedir astillas del material. Estas astillas pueden alcanzar los ojos del usuario o de las personas que se encuentren alrededor.
- **Utilizar solamente hojas de sierra con ángulo de ataque $\leq 0^\circ$.** Un ángulo de ataque $> 0^\circ$ arrastra la sierra a la pieza de trabajo. Existe peligro de lesiones debido a que la sierra puede golpear hacia atrás y la pieza de trabajo puede rotar.
- **Antes de cada uso, verificar el funcionamiento de la cubierta protectora basculante.** Utilizar la herramienta eléctrica únicamente si funciona perfectamente.
- **No colocar las manos en la expulsión de virutas.** Las piezas en rotación pueden causar lesiones en las manos.

- **Durante el trabajo puede generarse polvo perjudicial para la salud (p. ej., de pintura de plomo o de algunos tipos de madera).** El contacto o la inhalación de este polvo puede suponer una amenaza para la persona que realiza el trabajo o para aquellas que se encuentren cerca. Debe cumplir la normativa de seguridad vigente en su país.



- Por el bien de su salud, utilice una mascarilla de protección respiratoria con filtro P2. En espacios cerrados procure una ventilación suficiente y conecte un sistema móvil de aspiración.
- Sustituya los topes con cortes o dañados. Los topes dañados pueden salir despedidos al trabajar con la sierra y dañar a las personas que se encuentren alrededor.
- **Utilizar únicamente material de consumo y accesorios Festool originales.** Solo los accesorios probados y autorizados por Festool son seguros y están perfectamente adaptados a la herramienta y a la aplicación.
- Utilizar la herramienta eléctrica solo en interiores y en entornos secos.

3.5 Trabajos con aluminio



Al trabajar con aluminio deberá tener presente las siguientes medidas por motivos de seguridad:

- Preconectar un interruptor diferencial (FI, PRCD).
- Conectar la herramienta eléctrica a un aparato de aspiración apropiado.
- Limpiar la herramienta eléctrica periódicamente para eliminar el polvo acumulado en la carcasa del motor.
- Utilizar una hoja de serrar para aluminio.



Utilizar gafas de protección.

3.6 Indicaciones de seguridad específicas para láser

- **No dirija nunca el rayo láser hacia personas.** El deslumbramiento puede provocar accidentes.
- **Nunca mire a un rayo láser directo o reflejado.** Si por algún motivo el rayo láser le alcanza en los ojos, ciérrelos inmediatamente y aparte la cabeza de la trayectoria del rayo. Si el rayo láser le alcanza, puede provocar daños en el ojo.

- **No realice ninguna manipulación en el láser.** Un láser manipulado puede provocar peligros adicionales.

3.7 Riesgos residuales

A pesar de cumplir todas las normas de construcción relevantes, al usar la máquina pueden surgir peligros, p. ej. debidos a:

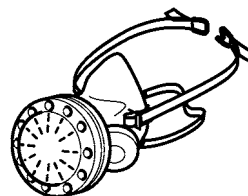
- contacto con piezas que giran desde un lateral: hoja de sierra, brida de sujeción, tornillo de brida,
- contacto con piezas conductoras de tensión si la carcasa está abierta y el conector de red enchufado,
- partes de la pieza de trabajo que salgan despedidas,
- partes de la pieza de trabajo que salgan despedidas si la herramienta está dañada,
- emisión de ruidos,
- emisión de polvo.

3.8 Riesgos para la salud producidos por el polvo



ADVERTENCIA! algunos polvos creados por lijadoras motorizadas, aserraderos, trituradores, perforadoras y otras actividades de construcción contienen sustancias químicas que se sabe (en el Estado de California) causan cáncer, defectos de nacimiento u otros daños al sistema reproductivo. Algunos ejemplos de estas sustancias químicas son:

- Plomo de las pinturas con base de plomo,
- Sílice cristalino de los ladrillos y cemento y otros productos de mampostería, y
- Arsénico y cromo de madera tratada con sustancias químicas.



El riesgo de exposición a estas sustancias varía, dependiendo de cuantas veces se hace este tipo de trabajo. Para reducir el contacto con estas sustancias químicas: trabaje en un área con buena ventilación y trabaje con equipo de seguridad aprobado, como mascarillas para el polvo diseñadas específicamente para filtrar partículas microscópicas.



ADVERTENCIA

PARA REDUCIR EL RIESGO DE LESIÓN, EL USUARIO DEBE LEER EL MANUAL DE INSTRUCCIÓN.

4 Uso conforme a lo previsto

La herramienta eléctrica está diseñada como aparato estándar para serrar madera, plástico y materiales similares. No deben serrarse otros materiales, especialmente acero, hormigón y materiales compuestos de mineral.

Con las hojas de sierra especiales que ofrece Festool, las máquinas también pueden utilizarse para serrar metales no endurecidos férreos y no férreos.



El usuario será responsable de cualquier utilización indebida.

4.1 Hojas de sierra

Las hojas de sierra deben cumplir las siguientes características:

- Diámetro de la hoja de sierra 10-1/4" (260 mm)
- Ancho de corte 3/32" (2.5 mm) (equivalente a la anchura de diente)
- Taladro de alojamiento 1-3/16" (30 mm)
- Grosor del disco de soporte 1/16" (1.8 mm)
- Hoja de sierra según la norma EN 847-1
- Hoja de sierra con ángulo de ataque $\leq 0^\circ$

Las hojas de sierra Festool cumplen con lo indicado en la norma EN 847-1.

Serrar únicamente materiales adecuados para la hoja de sierra en cuestión.

5 Datos técnicos

Sierra tronzadora	KS 120 REB
Potencia	13 A
Número de revoluciones (marcha en vacío)	1400–3600 rpm
Husillo de la herramienta, Ø	1-3/16" (30 mm)
Peso según procedimiento EPTA 01:2014	52 lb. (24 kg)
Dimensiones máx. de la pieza de trabajo, consultar el capítulo «Trabajo con la herramienta eléctrica».	

6 Componentes de la herramienta

- [1.1] Empuñadura
- [1.2] Interruptor de conexión y desconexión
- [1.3] Bloqueo de conexión

- [1.4] Palanca para el limitador de profundidad de tronzado
- [1.5] Botón giratorio para la sujeción de la unidad de tracción
- [1.6] Bloqueo de transporte
- [1.7] Escala para escuadra de inglete (vertical)
- [1.8] Ampliación de mesa
- [1.9] Botón giratorio para la ampliación de mesa
- [1.10] Escala para escuadra de inglete (horizontal)
- [1.11] Palanca de apriete para escuadra de inglete (horizontal)
- [1.12] Palanca de trinquete para escuadra de inglete preajustada (horizontal)
- [1.13] Cubierta protectora basculante
- [1.14] Mango giratorio para ajuste fino de la escuadra de inglete (vertical)
- [2.1] Interruptor de conexión y desconexión para láser
- [2.2] Rueda de ajuste para número de revoluciones
- [2.3] Bloqueo del husillo FastFix
- [2.4] Palanca de apriete para guía de tope
- [2.5] Depósito de lubricante
- [2.6] Palanca de desbloqueo para posición de tronzado especial
- [2.7] Palanca para posición de tronzado especial
- [2.8] Enrollables con asa de transporte integrada
- [2.9] Palanca de apriete para escuadra de inglete (vertical)
- [2.10] Conmutador de selección para margen de escuadra de inglete (vertical)

Las imágenes de la descripción del funcionamiento se encuentran en una página desplegable al principio del manual de instrucciones. Al leer el manual se puede desplegar la página para comparar y consultar las imágenes.

7 Primera puesta en marcha



ADVERTENCIA

Tensión o frecuencia no permitida

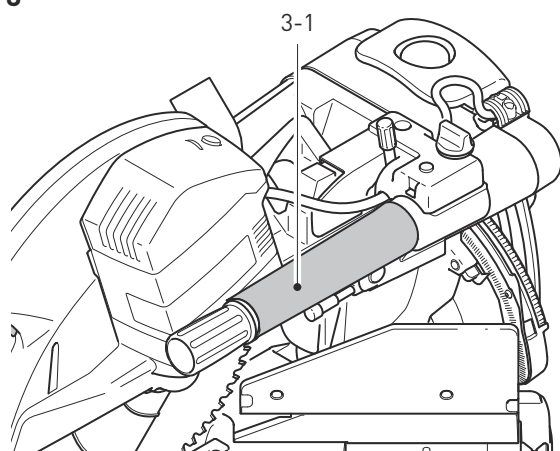
Peligro de accidente

- La tensión de red y la frecuencia de la red eléctrica deben coincidir con los datos que figuran en la placa de tipo.
- En Norteamérica solo pueden utilizarse las máquinas Festool con una tensión de 120 V / 60 Hz.

Antes de la primera puesta en marcha

- Retire el bloqueo de transporte **[3.1]** de la barra de empuje.

3



Conexión y desconexión

- Pulse el interruptor de conexión y desconexión hasta que se ejerza resistencia para desbloquear el grupo de serrado y la cubierta protectora basculante.
- Presione el bloqueo de conexión **[1.3]**.
- Pulse el interruptor de conexión y desconexión **[1.2]** por completo para conectar la máquina.
- Vuelva a soltar el interruptor de conexión y desconexión para desconectar la máquina.

7.1 Instalación de la máquina



ADVERTENCIA

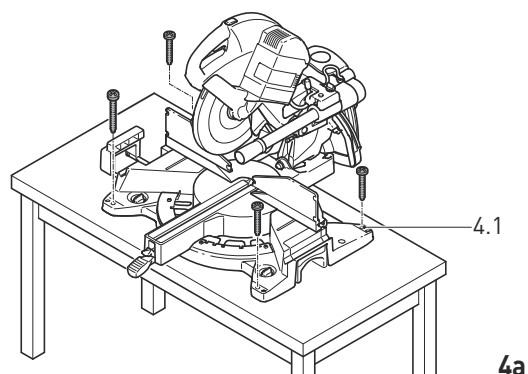
Peligro de lesiones y electrocución

- Desconectar el enchufe de la red antes de realizar cualquier trabajo en la máquina.

Antes de su uso, monte la máquina sobre una superficie de trabajo lisa y estable (p. ej. el bastidor inferior UG-KAPEX, la mesa multifuncional MFT o una mesa de trabajo).

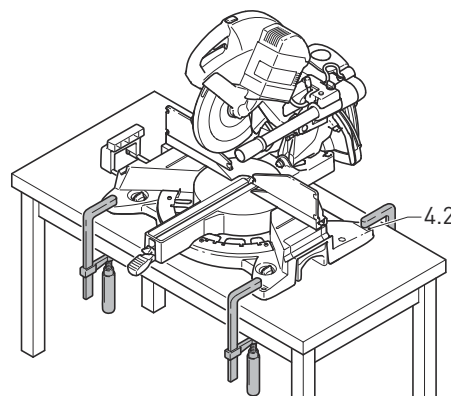
Existen las siguientes posibilidades de montaje

Tornillos: Fije la máquina con cuatro tornillos a la superficie de trabajo. Utilice para ello los orificios **[4.1]** situados en los cuatro puntos de apoyo de la mesa de serrar.



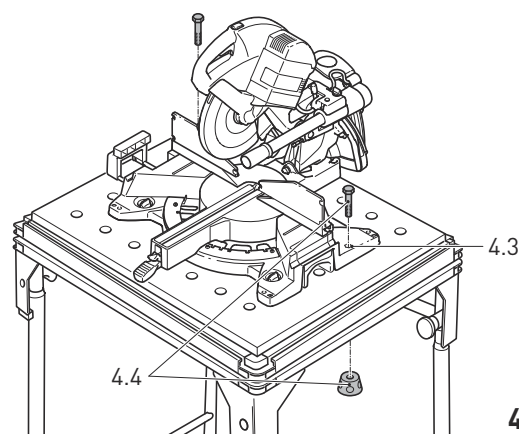
4a

Sargentos: Fije la máquina con cuatro sargentos a la superficie de trabajo. Las superficies lisas **[4.2]** de los cuatro puntos de apoyo de la mesa de serrar sirven de superficies de fijación.



4b

Kit de sujeción (para MFT): Fije la máquina con el kit de sujeción **[4.4, 494693]** a la mesa multifuncional MFT de Festool. A tal efecto sirven los dos orificios roscados **[4.3]**.

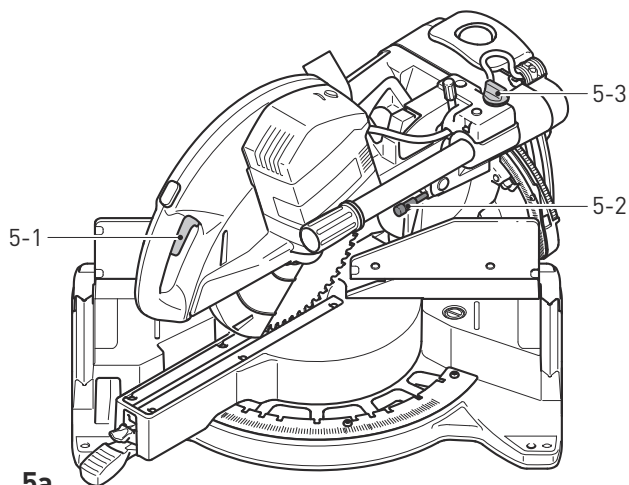


4c

Bastidor inferior UG-KAPEX: fije la máquina en el bastidor inferior, como se describe en las instrucciones de montaje del mismo.

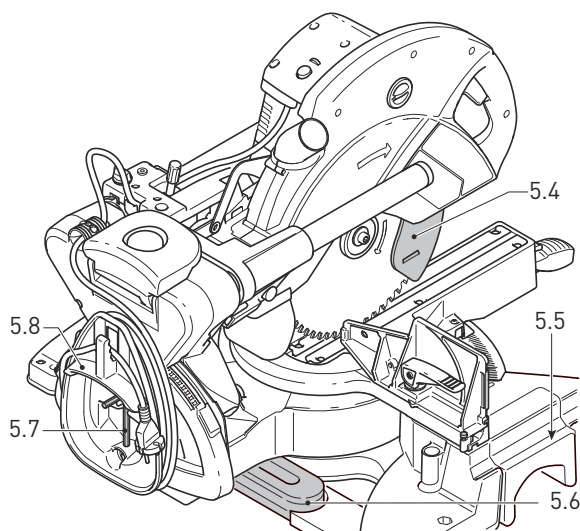
7.2 Transporte

Bloqueo de la máquina (posición de transporte)



5a

- ▶ Pulse el interruptor de conexión y desconexión **[5.1]**.
- ▶ Gire el grupo de serrado hacia abajo hasta el tope.
- ▶ Presione el bloqueo **[5.2]**. A continuación, el grupo de serrado permanece en la posición inferior.
- ▶ Tire del botón giratorio **[5.3]** para fijar el grupo de serrado en la posición trasera.



5b

- ▶ Enrolle el cable de red en el enrollacables **[5.8]** para su transporte.
- ▶ Guarde la llave de macho hexagonal **[5.7]** y la falsa escuadra **[5.6]** en los soportes previstos para ello.



ADVERTENCIA

Peligro de lesiones

- ▶ Nunca levante o transporte la máquina por la cubierta protectora basculante móvil **[5.4]**.
- ▶ Para transportar la máquina, sujétela siempre por los laterales de la mesa de serrar **[5.5]** y por el asa de transporte **[5.8]** del enrollacables.

Desbloqueo de la máquina (posición de trabajo)

- ▶ Presione el grupo de serrado ligeramente hacia abajo y extraiga el seguro de transporte **[5.2]**.
- ▶ Incline el grupo de serrado hacia arriba.
- ▶ Abra el botón giratorio **[5.3]**.

7.3 Cable de prolongación

Si se necesita un cable de prolongación, este debe tener una sección transversal suficiente para evitar una caída excesiva de voltaje o un sobrecalentamiento. Una caída excesiva de voltaje reduce la potencia y puede ocasionar un fallo del motor. La siguiente tabla muestra el diámetro correcto del cable para esta herramienta en función de su longitud.

Dimensiones del cable en AWG

Amperaje de la herramienta	Longitud del cable en pies			
	25	50	100	150
3-6	18	16	16	14
6-8	18	16	14	12
8-10	18	16	14	12
10-12	16	16	14	12
12-16	14	12	-	-

Dimensiones del cable en mm²

Amperaje de la herramienta	Longitud del cable en metros			
	15	30	60	120
3-6	0.75	0.75	1.5	2.5
6-8	0.75	1.0	2.5	4.0
8-10	0.75	1.0	2.5	4.0
10-12	1.0	2.5	4.0	-
12-16	-	-	-	-

Usar solo cables de prolongación contemplados por el estándar NRTL.

No utilizar nunca dos cables de prolongación juntos. Utilizar uno largo en su lugar.

- ⓘ Cuanto más bajo sea el número AWG, más fuerte será el cable.

8 Ajustes

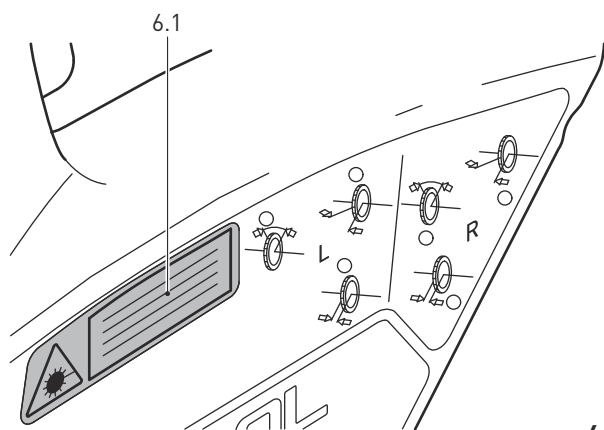


ADVERTENCIA

Peligro de lesiones y electrocución

- Desconectar el enchufe de la red antes de realizar cualquier trabajo en la máquina.

Sustituya los adhesivos de aviso [6.1] del láser por las versiones correspondientes en su idioma.



6

8.1 Selección de la hoja de sierra

Las hojas de sierra Festool están identificadas con un anillo en color. El color del anillo indica el material para el que es apta la hoja de sierra.

Color	Material	Símbolo
Amarillo	Madera	
Rojo	Tableros de madera laminada	
Verde	Placas de cemento reforzadas con fibra Eternit	
Azul	Aluminio, plástico	

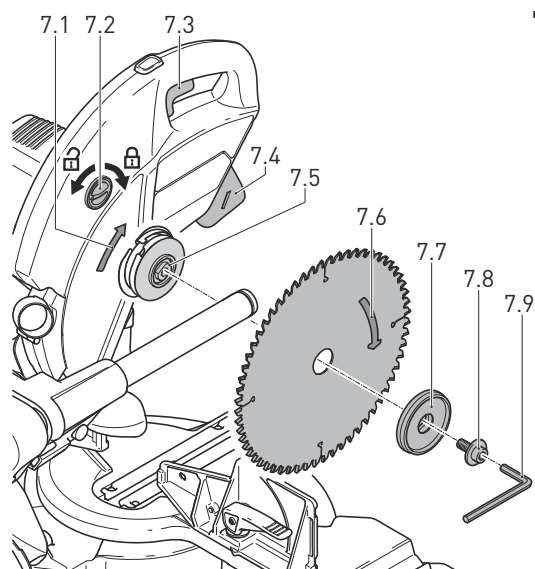
8.2 Cambio de herramienta



ADVERTENCIA

Peligro de lesiones

- Observar las siguientes instrucciones:



7

- Antes de cambiar de herramienta, desconecte el enchufe.
- Accione el bloqueo del husillo [7.2] solo cuando la hoja de sierra esté parada.
- La hoja de sierra se calienta mucho al trabajar; no la toque hasta que se haya enfriado.
- Utilice guantes de protección, pues existe peligro de lesionarse con los cantos afilados.

Desmontaje de la hoja de sierra

- Ponga la máquina en posición de trabajo.
- Presione el bloqueo del husillo [7.2] y gírelo 90° en sentido horario.
- Desatornille el tornillo [7.8] completamente con la llave de macho hexagonal [7.9] (rosca a izquierdas).
- Pulse el interruptor de conexión y desconexión [7.3] para soltar el bloqueo de la cubierta protectora basculante.
- Abra completamente la cubierta protectora basculante [7.4].
- Desmonte la brida de sujeción [7.7] y la hoja de sierra.

Montaje de la hoja de sierra

- Limpie todas las piezas antes de montarlas (hoja de sierra, brida, tornillo).
- Coloque la hoja de sierra en el husillo de la herramienta [7.5].



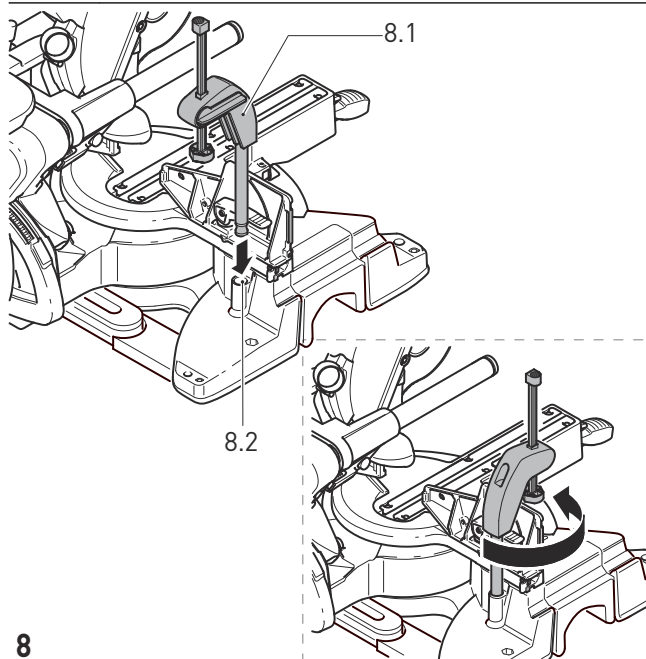
ADVERTENCIA

Peligro de lesiones

- Cerciórese de que coincidan los sentidos de giro de la hoja de sierra [7.6] y de la máquina [7.1].
- Fije la hoja de sierra con la brida de sujeción [7.7] y el tornillo [7.8].

- ▶ Apriete el tornillo [7.8] con firmeza (rosca a izquierdas).
- ▶ Presione el bloqueo del husillo [7.2] y gírelo 90° en sentido antihorario.

8.3 Dispositivo de fijación de la pieza de trabajo



8

Ajustar el dispositivo de fijación de la pieza de trabajo

- ▶ Coloque el dispositivo de fijación de la pieza de trabajo [8.1] en uno de los dos orificios [8.2]. Para ello, el dispositivo de sujeción debe estar orientado hacia atrás.
- ▶ Gire el dispositivo de fijación de la pieza de trabajo de modo que el dispositivo de sujeción pase a estar orientado hacia adelante.

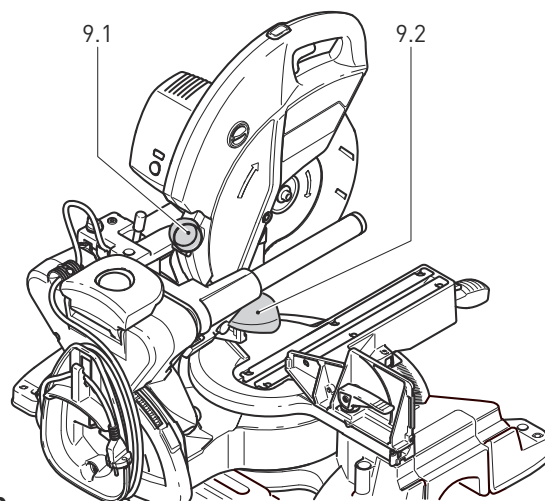
8.4 Aspiración



ADVERTENCIA

Peligro para la salud causado por el polvo

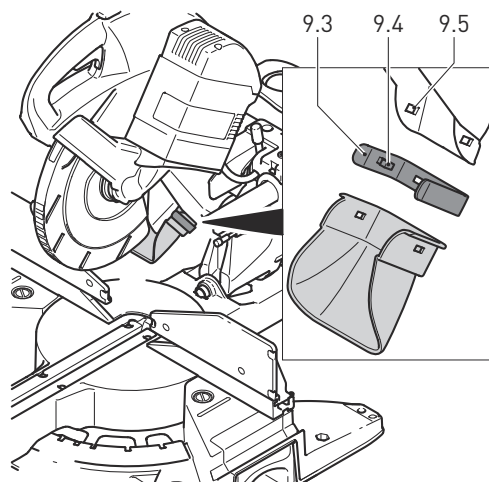
- ▶ Utilice siempre un aspirador.
- ▶ Utilice únicamente un aspirador diseñado para recoger el tipo de polvo y las partículas del material que se está cortando.
- ▶ Siga las normas OSHA y NFPA para garantizar un entorno de trabajo seguro.



9a

En los racores de aspiración [9.1] puede conectarse un aparato de aspiración Festool con un tubo flexible de 1-7/16" o 1-16" (36 mm o 27 mm) de diámetro (se recomienda el de 1-7/16" (36 mm), pues el peligro de obstrucción es menor).

El colector de virutas flexible [9.2] mejora la recogida de polvo y virutas. Por tanto, no trabaje sin colector de virutas.



9b

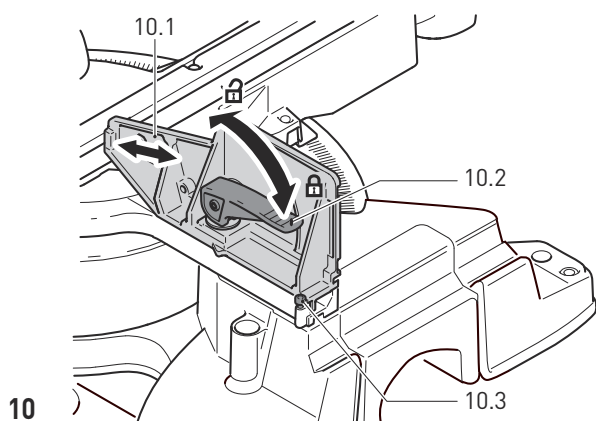
El colector de virutas se fija con la abrazadera [9.3] a la caperuza de protección. Para ello, los ganchos [9.4] de la abrazadera deben quedar encajados en las entalladuras ([9.5]) de la caperuza de protección.

8.5 Adaptación de la ampliación de mesa

- ▶ Abrir el botón giratorio [1.9].
- ▶ Extraer la ampliación de mesa [1.8] hasta que la pieza de trabajo se apoye completamente.
- ▶ Cerrar el botón giratorio.

ⓘ Si la pieza de trabajo sobresale a pesar de estar la ampliación de mesa extraída completamente, debe apoyarse en otra parte.

8.6 Tope de pieza de trabajo



Ajustar la guía de tope

Para realizar cortes a inglete debe ajustar las guías de tope **[10.1]** de manera que no obstaculicen el funcionamiento de la cubierta protectora basculante ni entren en contacto con la hoja de sierra.

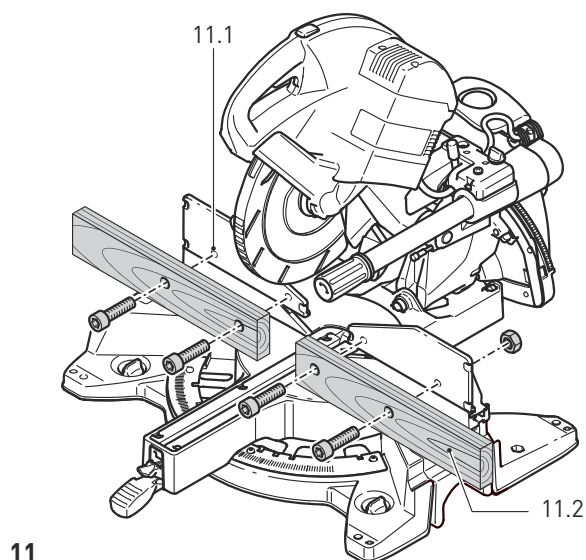
- ▶ Abra la palanca de sujeción **[10.2]**.
- ▶ Desplace la guía de tope hasta que la distancia más corta a la hoja de sierra durante la actividad sea de 3/16" (4,5 mm) como máx.
- ▶ Vuelva a cerrar la palanca de sujeción.

Retirar la guía de tope

Para realizar cortes a inglete, puede ser necesario retirar las guías de tope, a fin de evitar choques con el grupo de serrado.

- ▶ Gire el tornillo **[10.3]** tanto como sea posible en el sentido de la rosca (hacia abajo).
- ▶ Así podrá extraer la guía de tope por el lateral.
- ▶ Una vez recolocada la guía de tope, gire de nuevo el tornillo, esta vez tres vueltas hacia fuera.

Tope auxiliar



Para agrandar la superficie del tope, puede montar un tope auxiliar de madera **[11.2]** en cada uno de los orificios **[11.1]** de las dos guías de tope. De este modo, puede fijar con mayor seguridad piezas de trabajo más grandes.

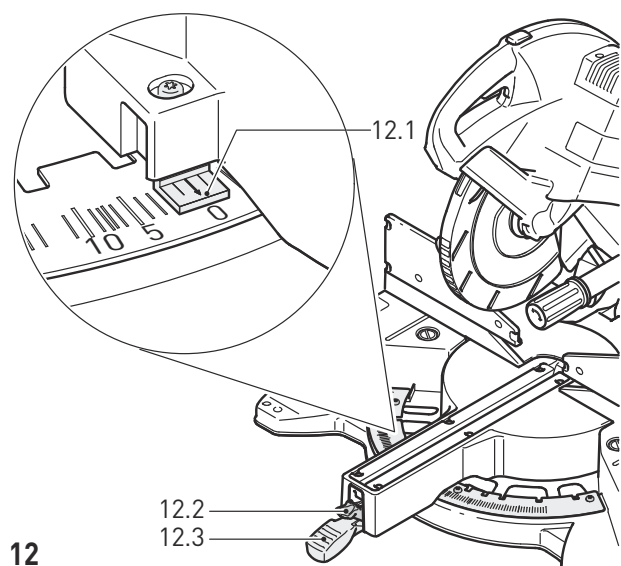
A este respecto, tenga en cuenta lo siguiente:

- Los tornillos empleados para fijar los topes auxiliares no deben sobresalir de la superficie de este.
- Los topes auxiliares solo pueden ser utilizados en cortes de 0°.
- Los topes auxiliares no deben interferir en el correcto funcionamiento de las cubiertas protectoras.

8.7 Escuadra de inglete horizontal

Las escuadras de inglete horizontales se pueden ajustar a voluntad entre 50° (lado izquierdo) y 60° (lado derecho). A mayores, es posible enganchar las escuadras de inglete convencionales.

La flecha del indicador **[12.1]** muestra la escuadra de inglete horizontal configurada. Las dos marcas situadas a la izquierda y a la derecha de la flecha del indicador le permiten un ajuste exacto con precisión de medio grado. Para ello, ambas marcas deben ser congruentes con las divisiones angulares de la escala.



12

Escuadra de inglete estándar, horizontal

Es posible enganchar las siguientes escuadras de inglete:

Izquierda: 0°, 15°, 22,5°, 30°, 45°

Derecha: 0°, 15°, 22,5°, 30°, 45°, 60°

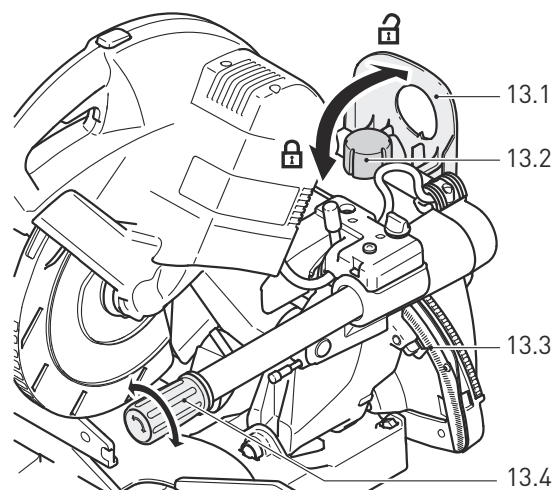
- ▶ Ponga la máquina en posición de trabajo.
- ▶ Tire hacia arriba de la palanca de apriete **[12.3]**.
- ▶ Empuje hacia abajo la palanca de trinquete **[12.2]**.
- ▶ Gire la mesa de serrar hasta la escuadra de inglete deseada.
- ▶ Suelte de nuevo la palanca de trinquete. La palanca de trinquete debe engancharse de forma perceptible.
- ▶ Empuje hacia abajo la palanca de apriete.

Cualquier escuadra de inglete horizontal

- ▶ Ponga la máquina en posición de trabajo.
- ▶ Tire hacia arriba de la palanca de apriete **[12.3]**.
- ▶ Empuje hacia abajo la palanca de trinquete **[12.2]**.
- ▶ Gire la mesa de serrar hasta la escuadra de inglete deseada.
- ▶ Empuje hacia abajo la palanca de apriete.
- ▶ Suelte de nuevo la palanca de trinquete.

8.8 Escuadra de inglete vertical

- ▶ Ponga la máquina en posición de trabajo.
- ▶ Abra la palanca de apriete **[13.1]**.
- ▶ Ponga el conmutador de selección **[13.2]** en el área de ajuste deseada (0° - 45°, +/-45°, o +/-47°).
- ▶ Incline el grupo de serrado hasta que el indicador **[13.3]** muestre la escuadra de inglete deseada. Puede ajustar con precisión la escuadra de inglete vertical con el mango giratorio para ajuste fino **[13.4]**.
- ▶ Vuelva a cerrar la palanca de apriete **[13.1]**.

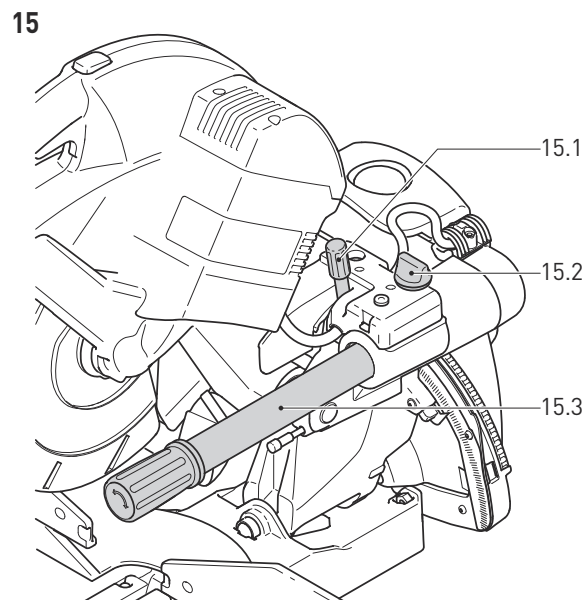
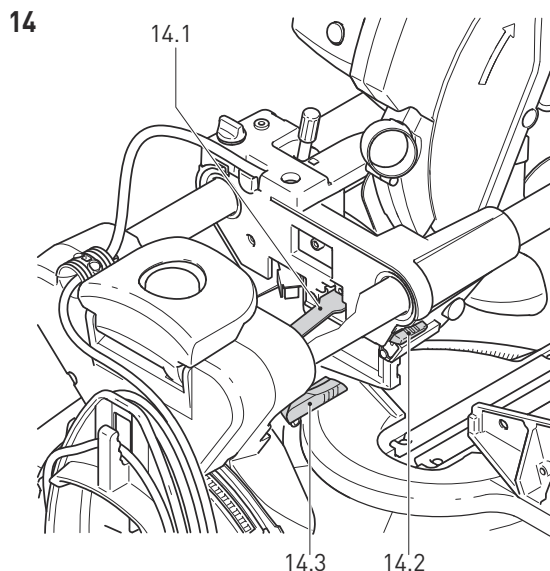


13

8.9 Posición especial de tronzado

Además de la posición convencional para cortar o tronzar paneles/tablas, la máquina dispone de una posición especial de tronzado para listones altos de hasta 4-3/4" (120 mm).

- ▶ Lleve el grupo de serrado hacia adelante.
- ▶ Incline la palanca **[14.3]** hacia abajo.
- ▶ Deslice el grupo de serrado hacia atrás hasta que el soporte de metal **[14.1]** encaje en la apertura trasera del grupo.
- ▶ En esta posición puede tronzar listones de hasta 4-3/4" (120 mm) de alto hasta el tope. Sin embargo, se desactivan las funciones de desplazamiento e inclinación vertical de la sierra tronzadora.
- ▶ Para devolver la máquina a su posición estándar, presione la palanca de desbloqueo **[14.2]** y tire del grupo de serrado hacia adelante. De este modo, se desengancha el soporte de metal **[14.1]** y la palanca **[14.3]** se reclina hacia atrás.



8.10 Limitador de profundidad de tronzado

Con el limitador de profundidad de tronzado, que permite un ajuste continuo, es posible configurar el margen de inclinación vertical del grupo de serrado. De este modo, es posible ranurar o achatar las piezas de trabajo.

i Tenga en cuenta los márgenes permitidos de ranurado: El ajuste continuo es posible únicamente en un rango desde 0 hasta 1-12/16" (0 hasta 45 mm). También está limitada la longitud máxima de la ranura. P. ej.: para una ranura de 1-14/16" (48 mm) de profundidad y un espesor de pieza de trabajo de 3-1/2" (88 mm), este margen oscila entre 1-1/2" y 10-5/8" (40 y 270 mm).

- ▶ Ponga la máquina en posición de trabajo.
- ▶ Inclíne hacia abajo la palanca para el limitador de profundidad de tronzado **[15.1]** hasta que encaje. El grupo de serrado solo se puede inclinar hacia abajo hasta la profundidad de tronzado configurada.
- ▶ Gire la palanca para el limitador de profundidad de tronzado para ajustar la profundidad deseada.
- ▶ Para desactivar el limitador de profundidad de tronzado, incline la palanca correspondiente de nuevo hacia arriba.

8.11 Posición fija horizontal

Con el botón giratorio **[15.2]** puede fijar el grupo de serrado en cualquier posición a lo largo de las barras de empuje **[15.3]**.

8.12 Activación del láser

La máquina dispone de dos láseres que marcan las hendiduras a la izquierda y a la derecha de la hoja de sierra. De este modo, puede alinear la pieza de trabajo por ambos lados (a la izquierda o a la derecha de la hoja de sierra o de las hendiduras).

- ▶ Pulse la tecla **[2.1]** para encender o apagar el láser. Si las máquinas no se usan durante 30 minutos, el láser se apaga automáticamente y debe conectarse de nuevo.

9 Trabajo con la herramienta eléctrica



ADVERTENCIA

Partes de la herramienta o de la pieza de trabajo que pueden salir despedidas

Peligro de lesiones

- ▶ Utilizar gafas de protección
- ▶ Mantener a otras personas alejadas durante el uso.
- ▶ Sujetar siempre las piezas de trabajo con firmeza.
- ▶ Los sargentos deben apoyarse completamente.

**ADVERTENCIA**

La cubierta protectora basculante no se cierra

Peligro de lesiones

- ▶ Interrumpir el proceso de serrado.
- ▶ Desenchufar el cable de conexión a la red y retirar los restos de corte. Sustituir la cubierta protectora basculante si presenta daños.

**ADVERTENCIA****Peligro de lesiones**

- ▶ Observar las siguientes instrucciones:
 - Posición de trabajo correcta:
 - delante, en el lado del usuario;
 - frente a la sierra;
 - junto a la línea de la hoja de sierra.
 - Al trabajar, la herramienta eléctrica debe agarrarse siempre por la empuñadura **[1-1]** con la mano de manejo. Mantener la mano libre siempre fuera de la zona de peligro.
 - Se debe trabajar únicamente con una ampliación de mesa **[1.8]** adaptada (ver capítulo 8.5).
 - Dirija la herramienta eléctrica hacia la pieza de trabajo solo cuando esté conectada.
 - Adaptar la velocidad de avance a fin de evitar que la máquina se sobrecargue o que el plástico se funda al cortar plásticos.
 - No trabajar con la máquina si el sistema electrónico de la herramienta eléctrica está defectuoso, puesto que pueden producirse velocidades demasiado elevadas. Sabrá que el sistema electrónico está defectuoso cuando el arranque no sea suave, cuando no sea posible regular el número de revoluciones y por la producción de humo o el olor a quemado de la máquina.
 - Antes de trabajar asegúrese de que la hoja de sierra no pueda tocar las guías de tope, el dispositivo de fijación de la pieza de trabajo, los sargentos ni otras piezas de la máquina.
- i** Cuando no se esté utilizando la herramienta eléctrica, desenchufar el enchufe. Así optimizará la vida útil de la electrónica.

9.1 Dimensiones de la pieza de trabajo**Dimensiones máximas de la pieza de trabajo sin accesorios de prolongación**

Escuadra de inglete según escala, horizontal/vertical	[mm]	Alto x ancho
0°/0°	88 × 305	3-1/2 × 12-1/64"
45°/0°	88 × 215	3-1/2 × 8-1/2"
0°/45° derecha	35 × 305	1-3/8" × 12-1/64"
0°/45° izquierda	55 × 305	2-3/16" × 12-1/64"
45°/45° derecha	35 × 215	1-3/8" × 8-1/2"
45°/45° izquierda	55 × 215	2-3/16" × 8-1/2"

Dimensiones máximas de la pieza de trabajo en el montaje con KA-KS 120

La altura y anchura máximas de la pieza de trabajo no cambian por el uso de accesorios.

Accesorio empleado	Longitud
KA-KS 120 (un lado)	hasta 94-1/2"(2400 mm)
KA-KS 120 (dos lados)	hasta 189"(4800 mm)

Piezas de trabajo largas

Para las piezas de trabajo que sobresalen de la superficie de serrado debe procurarse un apoyo adicional:

- ▶ Adapte la ampliación de mesa, consultar el capítulo (8.5).
- ▶ Si la pieza de trabajo continúa sobresaliendo, vuelva a replegar la ampliación de mesa y monte un tope para tronzar KA-KS 120 (ver capítulo 9.1).
- ▶ Asegurar la pieza de trabajo con unos sargentos adicionales.

Piezas de trabajo finas

Las piezas de trabajo muy finas pueden sufrir oscilaciones o romperse al serrar.

- ▶ Las piezas de trabajo muy finas pueden sufrir oscilaciones o romperse al serrar.
- ▶ Reforzar la pieza de trabajo: fijarla junto con pedazo de madera.

Piezas de trabajo pesadas

- ▶ Para garantizar la estabilidad de la máquina incluso al serrar piezas de trabajo pesadas, ajuste la pata de apoyo a ras de la base.

9.2 Comprobación de la movilidad de la cubierta protectora basculante



La cubierta protectora basculante debe moverse siempre libremente y poderse cerrar por sí sola.

- ▶ Desconectar el enchufe.
- ▶ Agarrar la cubierta protectora basculante con la mano y probar a introducirla en el grupo de serrado.

La cubierta protectora basculante debe poder moverse con facilidad y hundirse prácticamente del todo en el protector pendular.

Limpieza de la zona de la hoja de sierra

- ▶ Mantener siempre limpia la zona que rodea la cubierta protectora basculante.
- ▶ Limpiar el polvo y las virutas con una brocha o aplicando aire comprimido.

9.3 Comprobación de la movilidad del cabezal de la sierra

El cabezal de la sierra debe poder moverse siempre libremente y elevarse por sí solo.

- ▶ Desconectar el enchufe.
- ▶ Sujetar el cabezal de la sierra por la zona de agarre y comprobar el comportamiento de oscilación independiente mediante un movimiento de descenso y de retorno controlado.

Limpieza de la suspensión del cabezal de la sierra

- ▶ Mantener limpia la zona que rodea la suspensión del cabezal de la sierra.
- ▶ Limpiar el polvo y las virutas con una brocha o aplicando aire comprimido.

9.4 Sujeción de la pieza de trabajo



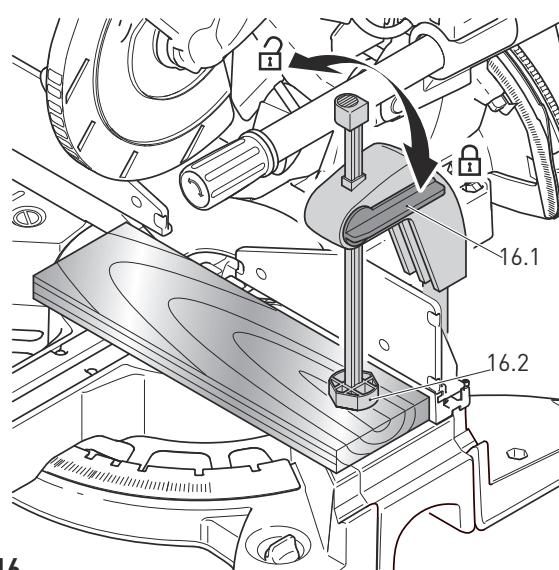
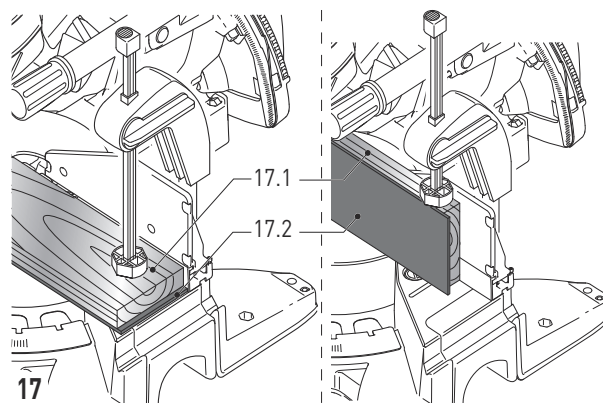
ADVERTENCIA

Peligro de lesiones

- ▶ Observar las siguientes instrucciones:
 - **Asiento firme:** fije las piezas de trabajo siempre con el dispositivo de fijación previsto para tal fin. Al hacerlo, el sujetador [16.2] debe estar apoyado en la pieza de trabajo de manera segura. (**Observación:** en función del contorno de la pieza de trabajo, p. ej. con contornos redondos, es posible que se requieran instrumentos au-

xiliares). No trabajar en piezas que no se puedan sujetar con seguridad.

- **Tamaño:** no utilizar piezas de trabajo demasiado pequeñas. La pieza residual cortada no debería ser **menor de 1-3/16" (30 mm)** de largo por motivos de seguridad. Las piezas de trabajo pequeñas pueden separarse de la hoja de sierra hacia atrás e introducirse en el espacio entre la hoja de sierra y la guía de tope.
- Ponga especial atención a que la hoja de sierra no atraiga piezas de trabajo hacia atrás, al espacio de entre la hoja de sierra y la guía de tope. Existe peligro de ello especialmente al realizar cortes a inglete horizontales.
- Fortalezca piezas de trabajo muy finas [17.1] serrándolas conjuntamente con un listón [17.2] adicional. Las piezas de trabajo muy finas pueden sufrir oscilaciones o romperse al serrar.



Pasos para sujetar la pieza de trabajo

- ▶ Coloque la pieza de trabajo sobre la mesa de serrar y presiónela contra las guías de tope.

- ▶ Abra la palanca de apriete **[16.1]** del dispositivo de fijación de la pieza de trabajo.
- ▶ Gire el dispositivo de fijación de la pieza de trabajo hasta que el sujetador **[16.2]** quede por encima de la pieza.
- ▶ Baje el sujetador hasta la pieza de trabajo.
- ▶ Cierre la palanca de apriete **[16.1]**.

9.5 Regulación del número de revoluciones

El número de revoluciones se puede ajustar con la rueda de ajuste **[2.2]** de modo continuo entre 1400 y 3600 rpm. De esta forma, la velocidad de corte se puede adaptar de forma óptima a cada material.

Posición recomendada de la rueda de ajuste

Madera	3 - 6
Plástico	3 - 5
Materiales de fibra	1 - 3
Perfiles de aluminio y de NE	3 - 6

9.6 Cortes sin movimiento de empuje

- ▶ Realice los ajustes deseados en la máquina.
- ▶ Fije la pieza de trabajo con firmeza.
- ▶ Deslice el grupo de serrado hacia atrás hasta el tope (en dirección al tope de la pieza de trabajo) y cierre el botón giratorio **[1.5]** para sujetar la unidad de tracción; alternativamente, fije el grupo de serrado en la posición especial de trenzado.
- ▶ Conecte la máquina.
- ▶ Desplace lentamente hacia abajo el grupo de serrado con la empuñadura **[1.1]** y sierre la pieza de trabajo con un avance homogéneo.
- ▶ Apague la máquina y espere a que la hoja de sierra se haya detenido completamente.
- ▶ Incline de nuevo el grupo de serrado hacia arriba.

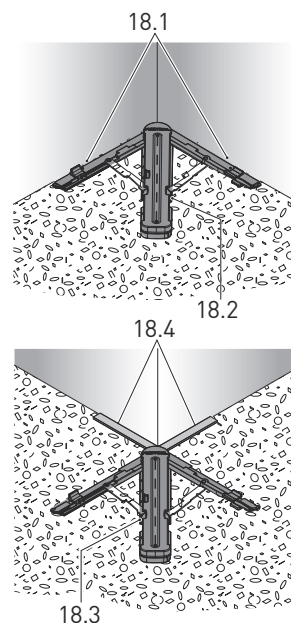
9.7 Cortes con movimiento de empuje

- ▶ Realice los ajustes deseados en la máquina.
- ▶ Fije la pieza de trabajo con firmeza.
- ▶ Tire del grupo de serrado a lo largo de las barras de empuje hacia adelante.
- ▶ Conecte la máquina.
- ▶ Mueva el grupo de serrado lentamente hacia abajo sujetándolo por la empuñadura **[1.1]**.
- ▶ Presione hacia atrás el grupo de serrado con un avance homogéneo y sierre la pieza de trabajo.
- ▶ Desconecte la máquina.

- ▶ Espere hasta que la hoja de sierra se haya detenido por completo y, a continuación, gire el grupo de serrado hacia arriba.

9.8 Falsa escuadra

La falsa escuadra permite copiar cualquier tipo de ángulo (p. ej., entre dos paredes) formando el extremo de la bisectriz.



Copiado de ángulos interiores

- ▶ Abra la sujeción **[18.2]**.
- ▶ Coloque la falsa escuadra con ambos lados **[18.1]** en el ángulo interior.
- ▶ Cierre la sujeción **[18.2]**.

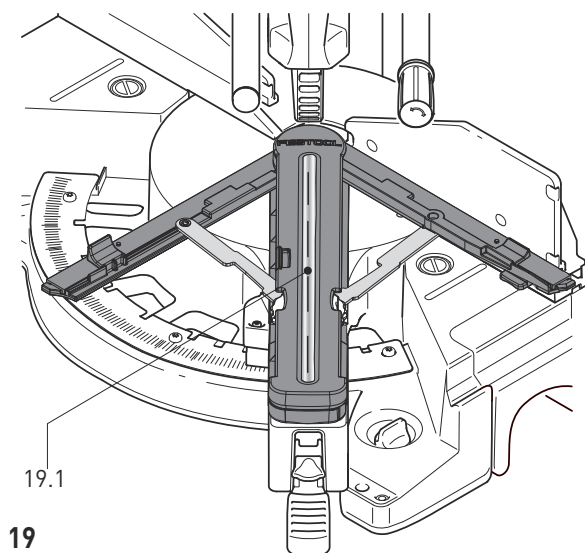
Copiado de ángulos exteriores

- ▶ Abra la sujeción **[18.3]**.
- ▶ Desplace hacia delante los perfiles de aluminio **[18.4]** de ambos lados.
- ▶ Coloque la falsa escuadra con ambos lados **[18.4]** en el ángulo exterior.
- ▶ Cierre la sujeción **[18.3]**.
- ▶ Desplace de nuevo hacia atrás los perfiles de aluminio de ambos lados.

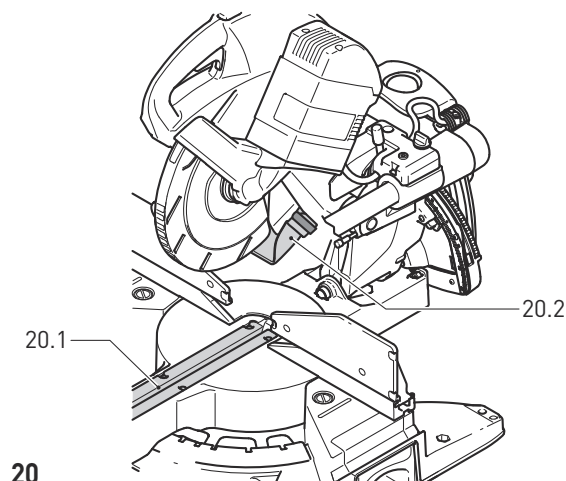
Transferencia de ángulos

- ▶ Coloque la falsa escuadra con un lado sobre una guía de tope de la sierra tronzoadora.
- ▶ Para configurar una bisectriz (escuadra de inglete horizontal), incline el grupo de serrado hasta que el rayo láser sea congruente con la línea **[19.1]** de la falsa escuadra.

- ① Para ello, hay que desplazar la escuadra al sesgo paralelamente hasta el tope de la sierra tronzoadora. Presionar la escuadra al sesgo simultáneamente con el pulgar en la cavidad de agarre contra la guía de toque.



aire comprimido o con un pincel para retirar la acumulación de virutas, polvo y restos de piezas de trabajo.



10 Mantenimiento y cuidado



ADVERTENCIA

Cualquier trabajo de mantenimiento o reparación que requiera abrir el motor o la carcasa del engranaje deberá ser realizado únicamente por un Centro de Atención al Cliente (nombre proporcionado por su concesionario).

- ▶ Los trabajos de mantenimiento o reparación realizados por una persona no autorizada podrían provocar la conexión incorrecta de los conductores de alimentación u otros componentes, lo que a su vez podría provocar accidentes con consecuencias graves.



PRECAUCIÓN

Algunos productos de limpieza y disolventes resultan perjudiciales para las piezas de plástico.

- ▶ Algunos de ellos incluyen, entre otros, gasolina, acetona, metiletilacetona (MEK) y oxocloruro de carbono. Los productos de limpieza normalmente contienen cloro y amoníaco y los productos de limpieza del hogar contienen amoníaco.
- ▶ Los dispositivos de protección y las piezas que presenten daños deben ser reparados o sustituidos conforme a lo prescrito por un taller especializado autorizado, a menos que se especifique de otro modo en el manual de instrucciones.
- ▶ Limpie regularmente la protección de mesa **[20.1]** y el canal de aspiración del colector de virutas (ver imagen **[20.2]**) insuflando

- ▶ Con el fin de garantizar una correcta circulación del aire, las aberturas para el aire de refrigeración de la carcasa deben mantenerse despejadas y limpias.

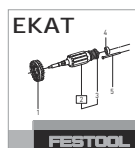


Una limpieza regular de la máquina, sobre todo de los dispositivos de ajuste y de las guías, representa un importante factor de seguridad.

La máquina está equipada con escobillas especiales autodesconectables. Si las escobillas están desgastadas, se interrumpe automáticamente la corriente y la máquina se detiene.



El servicio de atención al cliente y de reparaciones solo está disponible a través del fabricante o de los talleres de reparación. Dirección más cercana en: www.festoolusa.com/service



Utilice únicamente piezas de recambio Festool originales. Referencia en: www.festoolusa.com/service

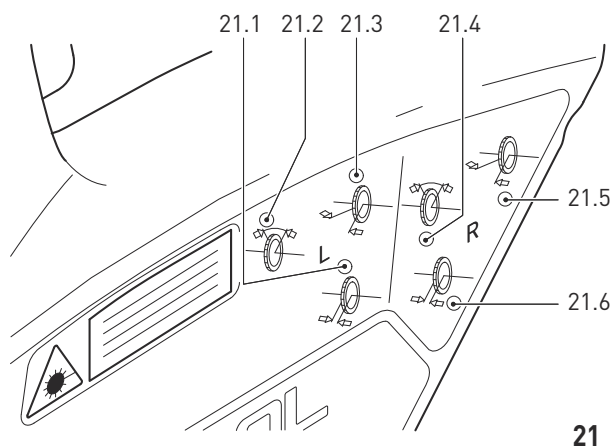
10.1 Configuración del láser

- ⓘ Los rayos láser vienen configurado correctamente de fábrica. Gire los tornillos de ajuste únicamente en los casos indicados.

Puede ajustar los dos láseres si los rayos no coinciden con el canto de corte. Utilice un destornillador de hexágono interior (SW 3/32" (2.5 mm)).

- ▶ Atraviese la etiqueta adhesiva con el destornillador de hexágono interior en los puntos marcados (**[21.1]** a **[21.6]**) para acceder a los tornillos de ajuste situados por debajo.

- ▶ Para verificar el láser, coloque en la máquina una pieza de trabajo de prueba.
- ▶ Sierre una ranura en la pieza de trabajo.
- ▶ Incline hacia arriba el cabezal de la sierra y compruebe los ajustes.



21

El rayo láser no es visible

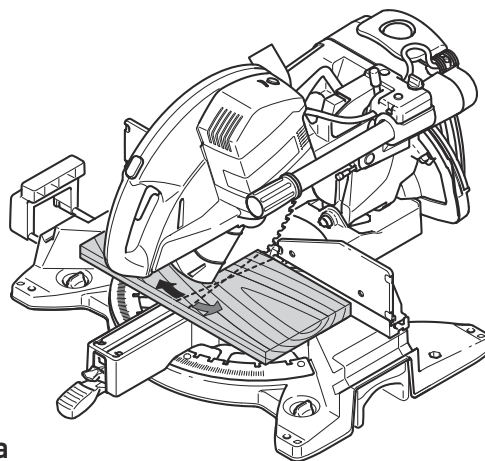
- ▶ Conecte el rayo láser [1.2]
- ▶ Identifique el láser no visible.
 - ▷ Gire los tornillos de ajuste [21.2] para los rayos láser izquierdo y [21.4] derecho hasta que vea el láser en su pieza de trabajo.
 - ▷ Como se ha descrito, ajuste primero (a) el paralelismo con la línea de corte; a continuación, (b) la inclinación y, para terminar, (c) el desplazamiento axial del rayo láser.

a) El rayo láser no es paralelo a la línea de corte [imagen 21A]

Ajuste el paralelismo.

Rayo láser izquierdo Tornillo de ajuste [21.3]

Rayo láser derecho Tornillo de ajuste [21.5]



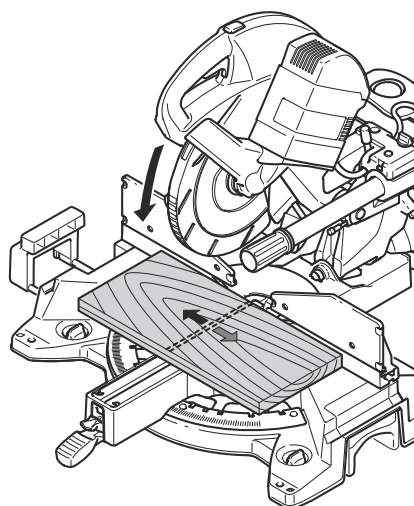
21a

b) Al tronzar, el rayo láser se desplaza hacia la izquierda o hacia la derecha [imagen 21B]

Ajuste la inclinación hasta que el rayo láser deje de desplazarse al tronzar.

Rayo láser izquierdo Tornillo de ajuste [21.2]

Rayo láser derecho Tornillo de ajuste [21.4]



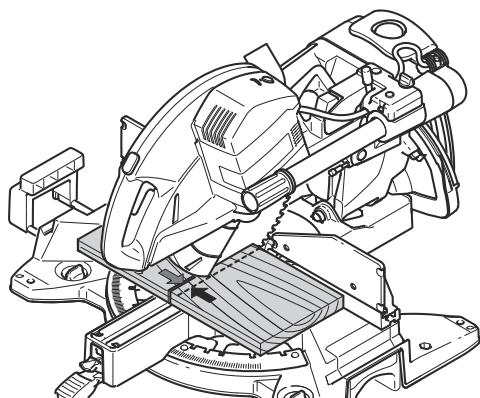
21b

c) El rayo láser no se muestra en el lugar del corte [imagen 21C]

Ajuste el desplazamiento axial.

Rayo láser izquierdo Tornillo de ajuste [21.1]

Rayo láser derecho Tornillo de ajuste [21.6]



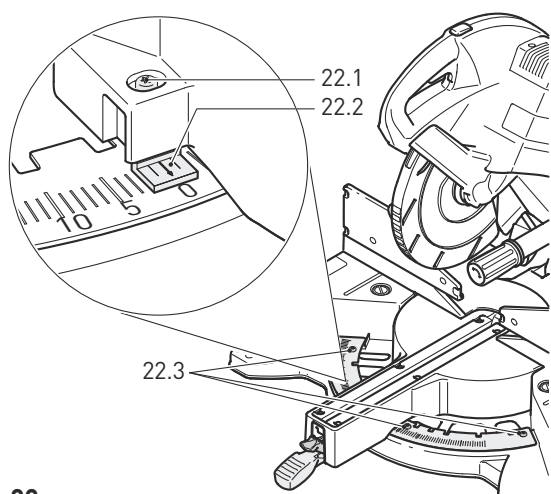
21c

10.2 Corrección de escuadras de inglete horizontales

Si el indicador [12.1] deja de apuntar a los valores configurados en las escuadras de inglete, puede corregirlo tras abrir el tornillo [22.1].

Si la escuadra de inglete real (serrada) no es congruente con el valor configurado, puede corregir esta desviación:

- ▶ Encaje el grupo de serrado en la posición 0°.
- ▶ Suelte los tres tornillos [22.3] que fijan la escala a la mesa de serrar.
- ▶ Desplace la escala con el grupo de serrado hasta que el valor real se corresponda con 0°. Puede verificar este valor con un ángulo entre la guía de tope y la hoja de sierra.
- ▶ Vuelva a enroscar los tres tornillos [22.3].
- ▶ Verifique el ajuste correcto del ángulo realizando un corte de prueba.

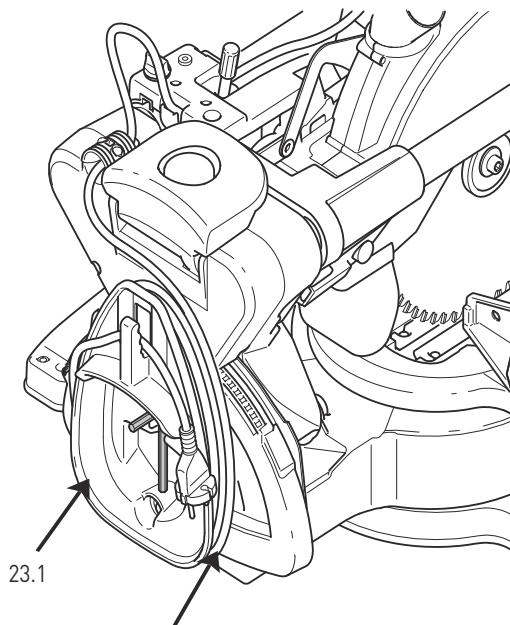


22

10.3 Corrección de escuadras de inglete verticales

Si el valor real no es congruente con el valor configurado, puede corregir esta desviación:

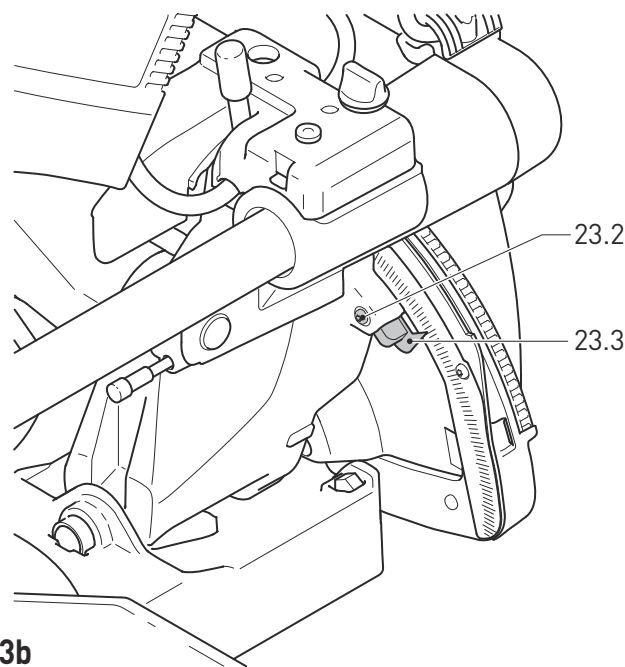
- ▶ Encaje el grupo de serrado en la posición 0°.
- ▶ Suelte los dos tornillos [23.1].
- ▶ Inclíne el grupo de serrado hasta que el valor real se corresponda con 0°. Puede verificar este valor con un ángulo entre la mesa de serrar y la hoja de sierra.
- ▶ Vuelva a enroscar los dos tornillos [23.1].
- ▶ Verifique el ajuste correcto del ángulo realizando un corte de prueba.



23a

23.1

Si el indicador [23.3] deja de apuntar a los valores configurados, puede corregirlo tras soltar el tornillo [23.2].



23b

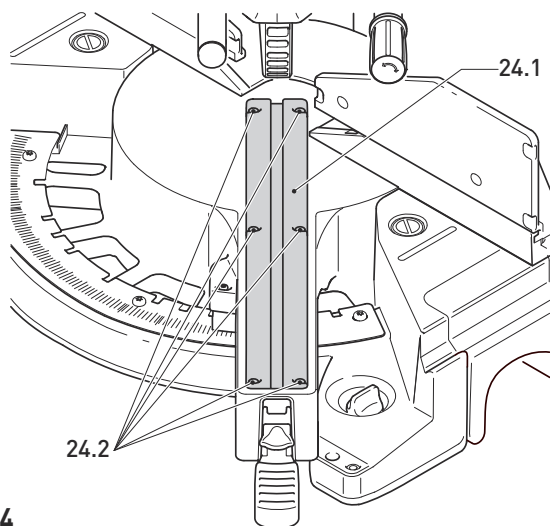
23.2

23.3

10.4 Sustitución de elemento de mesa

No trabaje con un elemento de mesa [20.1] desgastado; sustitúyalo por uno nuevo.

- ▶ Para proceder a su sustitución, suelte los seis tornillos [24.2].

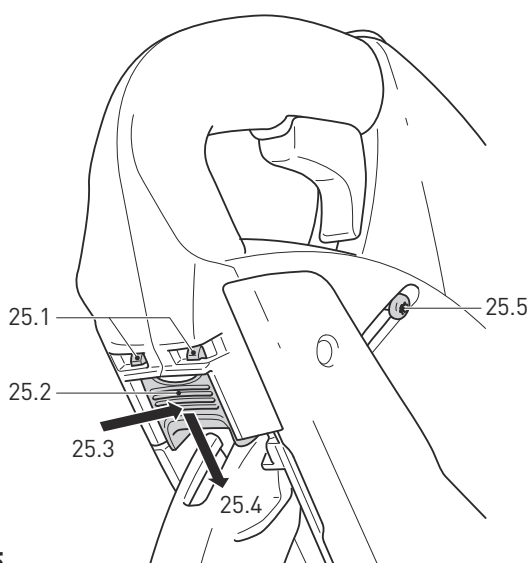


24

10.5 Limpiar la ventana del láser o sustituirla en caso necesario

La ventana protectora [25.2] del láser puede ensuciarse con el funcionamiento. Es posible desmontarla para limpiarla o sustituirla.

- ▶ Suelte el tornillo [25.5] (2 giros aprox.).
- ▶ Presione la ventana simultáneamente en las direcciones [25.3] y [25.4].
- ▶ Retire la ventana.
- ▶ Limpie la ventana o sustitúyala por una nueva.
- ▶ Vuelva a colocar la ventana limpia/nueva. Los dos tacos [25.1] de la ventana deben encajar en las entalladuras de la caperuza de protección superior tal y como se muestra en la imagen 21.
- ▶ Apriete el tornillo [25.5].



25

Comprobar que todas las advertencias de la herramienta eléctrica sean legibles y estén completas. Reemplazar las advertencias que falten o que no sean legibles.

11 Accesorios

Utilice exclusivamente accesorios originales de Festool.

Consulte las referencias de los accesorios y las herramientas en el catálogo Festool o en Internet, en www.festoolusa.com.

Además de los accesorios descritos, Festool ofrece una amplia gama de accesorios de sistema que le permiten hacer un uso versátil y efectivo de la sierra, p. ej.:

- Hojas de sierra para diferentes materiales.
- Tope para tronzar KA-KS 120
- Bastidor inferior UG-KAPEX KS 120
- Apoyo de ángulo AB KS 120

12 Medio ambiente

No deseche la herramienta junto con los residuos domésticos. Recicle las herramientas, accesorios y embalajes de forma respetuosa con el medio ambiente. Respete la normativa vigente del país.