



## AMBIA-LINE & ORGA-LINE

Adjustable organization systems designed for  
LEGRABOX, MOVENTO, TANDEM and TANDEMBOX

[blum.com](https://blum.com)

 **blum**<sup>®</sup>



## Functional Versatility

Elegant, easy to use, adjustable organization systems such as ORGA-LINE and AMBIA-LINE are becoming essential items in the kitchen.

Specifically designed for LEGRABOX, MOVENTO, TANDEM and TANDEMBOX these systems and accessories assist in the daily workflow by making your kitchen more functional.

 **blum**



## Contents

### AMBIA-LINE & ORGA-LINE

- 6 AMBIA-LINE for LEGRABOX
- 12 AMBIA-LINE Accessories
- 14 ORGA-LINE for Wood Drawers
- 20 ORGA-LINE for TANDEMBOX
- 26 ORGA-LINE Accessories

## There are Two Sides to Every Kitchen

The most obvious showcases the aesthetic choices: the materials, textures, colors and styles that reflect a person's tastes. The other side, hidden and quite often overlooked, either makes or breaks the heart of the home. Our research has shown that functional kitchens have three essential features: smooth workflows, enough storage space, and better motion.

[www.blum.com/Ideas](http://www.blum.com/Ideas)

### Workflow – Convenience

Cooking utensils, open ingredients or flatware – Blum's organizational systems provide order within your drawers, minimizing effort.



### Space – Optimization

Wide, high and deep drawers use more of the space available. With AMBIA-LINE or ORGA-LINE, you can organize your storage space and tailor it to your needs.



### Motion – Quality

Easy opening and silent and effortless closing drawers increase comfort in the kitchen. At Blum, this is achieved with state-of-the-art technology.





# AMBIA-LINE

Create perfect order in any drawer with AMBIA-LINE. This storage solution system, with its narrow-frame design, offers various options for organizing the interiors of your drawers with simple elegance. AMBIA-LINE inserts can be combined to suit a wide range of cabinet widths. Use a damp cloth to clean all AMBIA-LINE products.

**blum**



### Uniformity

AMBIA-LINE's straight-forward design coordinates with our LEGRABOX system, providing a harmonious look and function to your drawer.



### Adjustability

The flexible cross dividers can be easily adjusted to fit the size of the items being stored. Inserts and frames can be combined as needed.



### Versatility

With the magnetic adapter plate, inserts can be positioned anywhere in the drawer; items can be clearly organized in all living areas.



### Accessories

AMBIA-LINE kitchen accessories help simplify workflows. These accessories help ensure everything is exactly where it's needed.



# AMBIA-LINE for LEGRABOX

With its reduced dimensions, AMBIA-LINE is particularly suited for LEGRABOX, the elegant box system, with straight and narrow drawer sides. Stylish and practical, AMBIA-LINE drawer organization system in Orion gray provides a clean, harmonious look and function to the interior of your drawer.

**blum**







## AMBIA-LINE for Flatware

Coated with soft touch, noise-dampening material, flatware is stored almost without making a sound.

To calculate inside drawer width available:

**LEGRABOX** – Inside cabinet width - 41

**Flatware insert**

- Width **300** (11-13/16")
- Height **51** (2")
- Coated with a soft touch, noise-dampening material



Part no.  
**500** (20") **ZC7S500BS3**

**Flatware insert**

- Width **300** (11-13/16")
- Height **51** (2")
- Coated with a soft touch, noise-dampening material



Part no.  
**550** (22") **ZC7S550BS3**



## AMBIA-LINE for Utensils and Odds and Ends

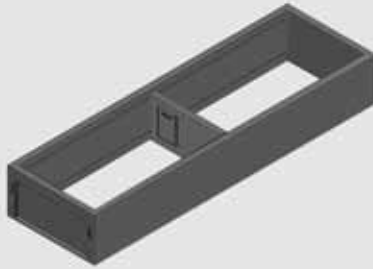
Kitchen utensils are stored in an organized fashion to ensure everything is within easy reach. The dividers can be easily adjusted to suit the needs of your storage items. Additionally, order can be restored to the odds and ends drawer so items can be in clear view and easily accessed.

To calculate inside drawer width available:

**LEGRABOX** Inside cabinet width - **41**

### Narrow utensil insert

- Width **100** (3-15/16")
- Height **51** (2")



Part no.

500 (20")

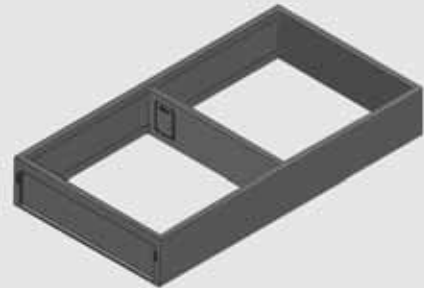
**ZC7S500RS1**

550 (22")

**ZC7S550RS1**

### Wide utensil insert

- Width **200** (7-7/8")
- Height **51** (2")



Part no.

500 (20")

**ZC7S500RS2**

550 (22")

**ZC7S550RS2**



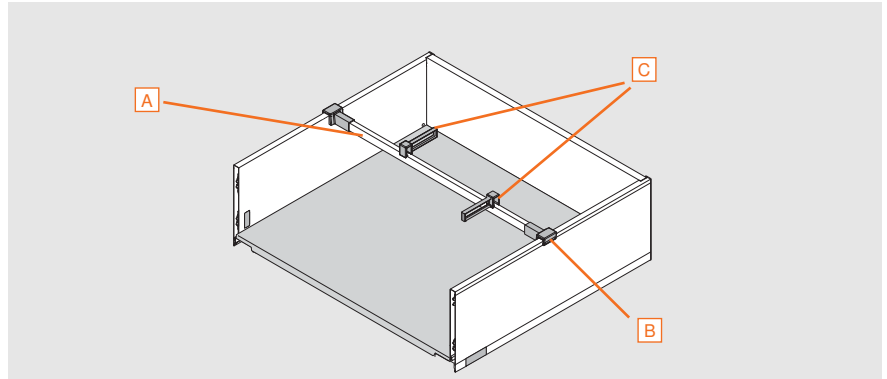
## AMBIA-LINE for Deep Drawers

The AMBIA-LINE deep drawer insert and the cross gallery divider system is versatile, allowing you to neatly organize a variety of kitchen items, ensuring perfect organization for your drawers. For additional stability, the steel adapter plate holds the insert securely in place.

The cross gallery rail can be custom cut to fit perfectly inside each drawer and assembles tool-free to the connectors and dividers. Once assembled, lateral dividers can be adjusted side-to-side to ensure a perfect fit every time. This system is particularly suited for large storage items such as pots and pans, or for securing waste or recycling containers.

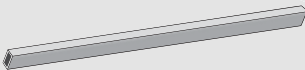
To calculate inside drawer width available:

**LEGRABOX** Inside cabinet width - 41



### A Cross gallery rail

- Length **1080** (42-1/2")
- Cutting: ICW - 90 (3-9/16")
- Orion gray or brushed nickel
- Specify color when ordering



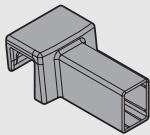
Part no.

Cross gallery rail

**ZR7.1080U**

### B Connector

- 2 required per cross rail set-up (order each separately)
- Dust gray



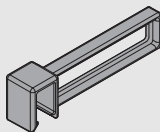
Part no.

Connector

**ZC7U10E0**

### C Lateral divider

- Dust gray



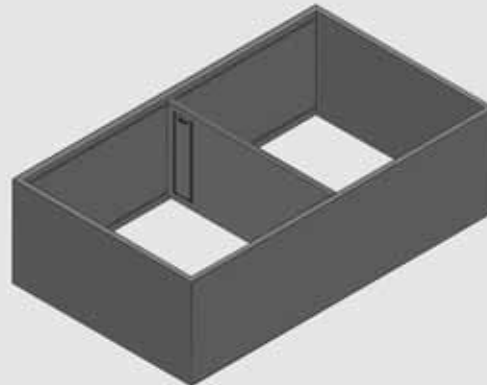
Part no.

Lateral divider

**ZC7U10F0**

### Deep drawer insert

- Length **370** (14-9/16")
- Width **218** (8-9/16")
- Height **111** (4-3/8")
- Includes adjustable cross divider (qty 1)
- Steel frame
- For C and F height drawers
- Magnetic back
- Non-slip rubber feet
- Order steel adapter plate separately



Part no.

Deep drawer insert

**ZC7F400RSP**

### Adapter plate

- Length **218** (8-9/16")
- Height **148** (5-13/16")



Part no.

Adapter plate

**ZC7A0P0C**



## Accessories for AMBIA-LINE

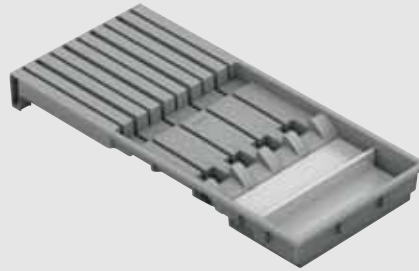
**Knife holder:** Stowed away safely, but always nearby, up to 9 knives can be stored neatly in the AMBIA-LINE knife holder.

**Spice tray:** Spices of various sizes can be neatly stored in the AMBIA-LINE spice tray without risk of tipping over. The right spice is always in clear view and close by.

**Plate holder:** With Blum's plate holders, storing plates in a drawer is now possible. The holder keeps the plates neatly stacked without sliding around, and makes it easy to pick up the entire stack of plates for serving.

### AMBIA-LINE knife holder

- Length **409** (16-1/8")
- Width **187** (7-3/8")
- Height **43** (1-11/16")
- Holds 9 knives
- High quality nylon and stainless steel
- Use with wide utensil insert



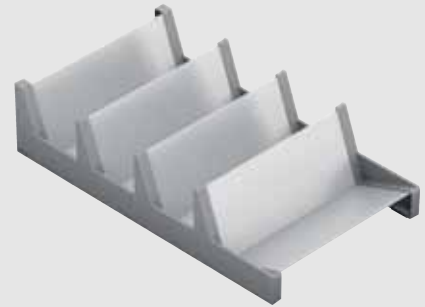
Part no.

Knife holder

**ZC7M0200**

### AMBIA-LINE spice tray

- Length **356** (14")
- Width **205** (8-1/16")
- Height **84** (3-5/16")
- Non-slip bottom
- High quality nylon and stainless steel
- Use with deep drawer insert



Part no.

Spice tray

**ZC7G0P01**



### Plate holder

- Plate diameter **167 to 312** (6-9/16" to 12-5/16")
- Overall width **247 to 392** (9-3/4" to 15-7/16")
- Overall height **170** (6-11/16")
- Holds up to 12 plates
- Non-slip bottom
- High quality nylon and stainless steel



Part no.

Plate holder

**ZC7T0350**



## Dividers for AMBIA-LINE

Additional dividers can easily be added to customize your drawers. AMBIA-LINE dividers are made of high quality materials that are coated with a soft touch, noise-dampening material. Use a damp cloth to clean all AMBIA-LINE products.

### AMBIA-LINE narrow cross divider

- Length **88** (3-1/2")
- Height **45** (1-3/4")



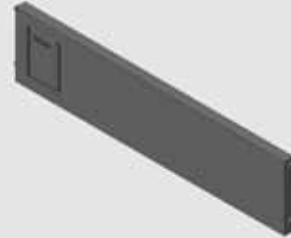
Part no.

Narrow cross divider

**ZC7Q010SS**

### AMBIA-LINE wide cross divider

- Length **188** (7-3/8")
- Height **45** (1-3/4")



Part no.

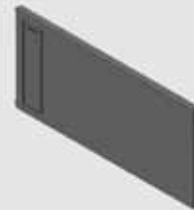
Wide cross divider

**ZC7Q020SS**



### AMBIA-LINE deep drawer cross divider

- Length **206** (8-1/8")
- Height **100** (3-15/16")
- For use with deep drawer insert



Part no.

Deep drawer cross divider

**ZC7Q0P0FS**



# ORGA-LINE

With this adjustable organization system, everything is stored where it can be seen. Specifically designed for MOVENTO, TANDEM and TANDEMBOX, it fits in the space you have, and it can be rearranged to store the items you need. The customizable system is made of stainless steel trays and dividers, making it easy to adapt to any drawer configuration. The trays are also dishwasher safe, so keeping them clean is easy.

**blum**





### Flexibility

Trays and cross dividers can be arranged to suit your specific needs, and the trays can even be removed for setting the table.



### Versatility

ORGA-LINE utensil dividers can be arranged as needed for a variety of applications throughout the home, not just the kitchen.



### Practicality

The high quality stainless steel trays are easy to clean without damaging the material, even in the dishwasher — safe up to 170° F.



### Accessories

ORGA-LINE kitchen accessories help simplify workflows. These accessories help ensure everything is exactly where it's needed.



# ORGA-LINE for MOVENTO & TANDEM

This adjustable organization solution for wood drawers is ideal for storing items in the kitchen and throughout the home.

The spring loaded compensation tray and side rails ensure that each kit will fit into an inside drawer length from 19-1/4" to 20".

The removable trays are made of high quality nylon and stainless steel, and are dishwasher safe up to 170° F.





## ORGA-LINE for Flatware

This adjustable organization solution for wood drawers is ideal for flatware. The removable containers are perfect for setting the table or tossing in the dishwasher. Combine kits to suit wider cabinets.

To calculate inside drawer width available:

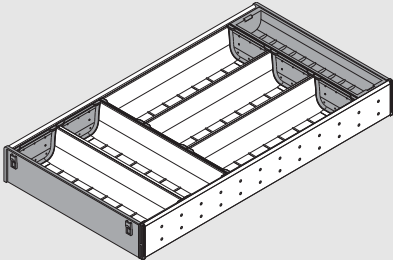
**MOVENTO** Opening width\* - **42** (1-21/32")

**TANDEM** 13-16 drawer side thickness: Opening width\* - **42** (1-21/32")

16-19 drawer side thickness: Opening width\* - **49** (1-15/16")

**Flatware**

- Width **285** (11-1/4")
- Height **66** (2-5/8")

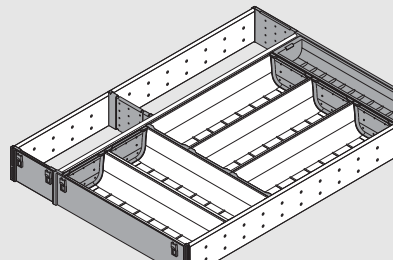


Part no.

21" drawer length **ZHI.533BI3A**

**Flatware**

- Width **381** (15")
- Height **66** (2-5/8")

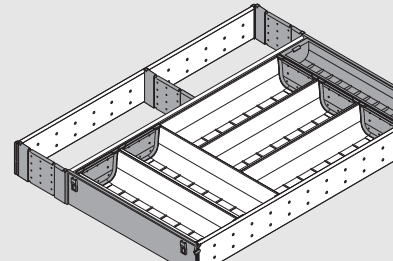


Part no.

21" drawer length **ZHI.533KI4A**

**Flatware**

- Width **399 to 417** (15-11/16" to 16-7/16")
- Height **66** (2-5/8")

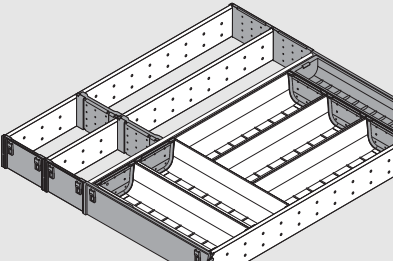


Part no.

21" drawer length **ZHI.533TI4A**

**Flatware**

- Width **476 to 494** (18-3/4" to 19-7/16")
- Height **66** (2-5/8")



Part no.

21" drawer length **ZHI.533TI5A**



\*To calculate Opening Width, refer to the MOVENTO/TANDEM brochure.

## ORGA-LINE for Utensils and Odds and Ends

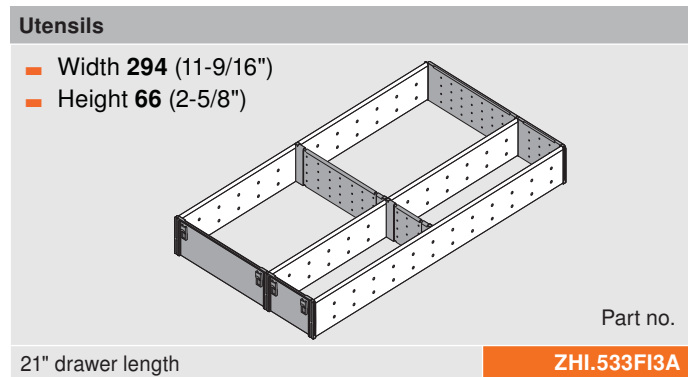
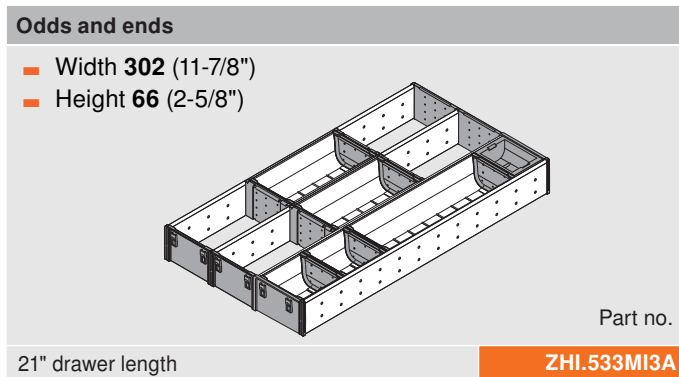
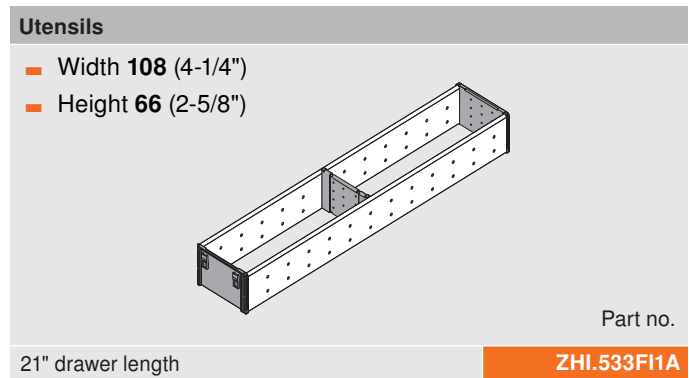
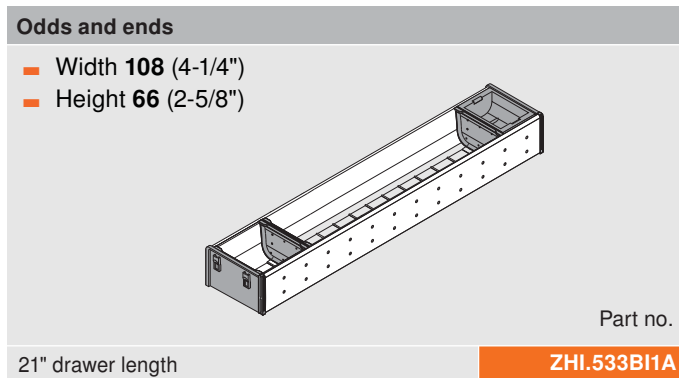
Top drawers often store utensils and odds and ends. With ORGA-LINE, your items stay neatly in place. This customizable system is made of nylon dividers and stainless steel trays, making it easy to adapt to any drawer configuration. The flexible utensil dividers ensure a perfect fit for items of every shape and size.

To calculate inside drawer width available:

**MOVENTO** Opening width\* - **42** (1-21/32")

**TANDEM 13-16** drawer side thickness: Opening width - **42** (1-21/32")

**16-19** drawer side thickness: Opening width - **49** (1-15/16")



\*To calculate Opening Width, refer to the MOVENTO/TANDEM brochure.

## ORGA-LINE for Deep Drawers

Storing items in a deep wood drawer is easy with ORGA-LINE. Items like pots and pans or plastic containers can be stored with their lids in one drawer, and the lids are always easy to find. If you ever change the items stored in your drawers, ORGA-LINE can quickly be rearranged, making it a great adjustable storage option.

To calculate inside drawer width available:

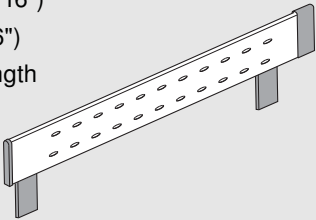
**MOVENTO** Opening width\* - 42 (1-21/32")

**TANDEM 13-16** drawer side thickness: Opening width - 42 (1-21/32")

**16-19** drawer side thickness: Opening width - 49 (1-15/16")

**A Interior side rail**

- Two required
- Length **475** (18-11/16")
- Height **131** (5-3/16")
- For 21" drawer length

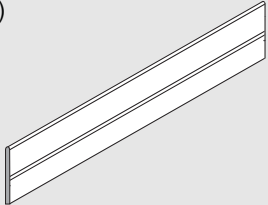


Part no.

Interior side rail **ZHI.533SS65**

**B Cross divider**

- Length **1077** (42-3/8"), cut to size
- Inside drawer width minus **62** (2-7/16")
- Height **113** (4-1/2")
- Gray

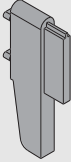


Part no.

Cross divider **Z40H1077A**

**C Spring loaded connector**

- Two required
- Dust gray

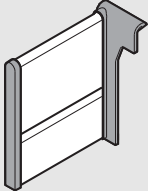


Part no.

Spring loaded connector **Z40H000A**

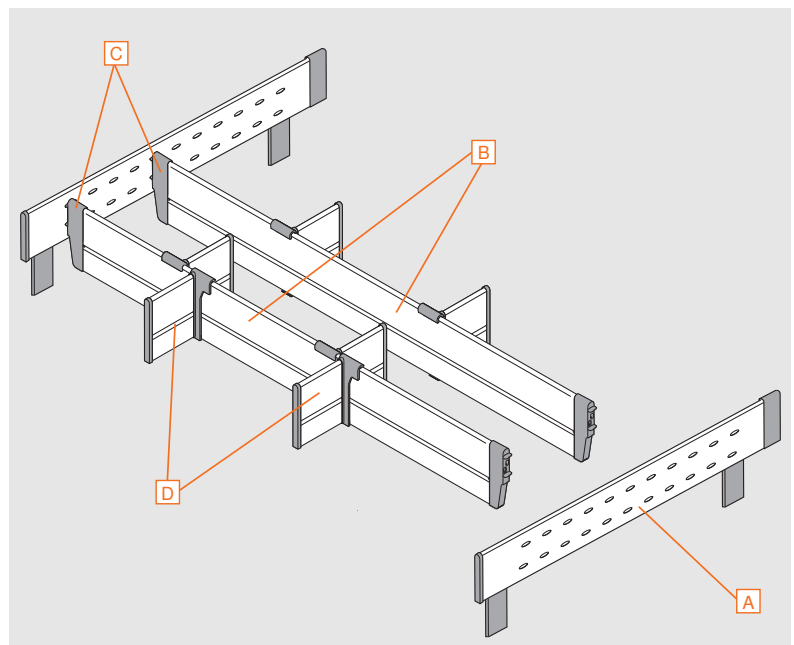
**D Lateral divider**

- Length **100** (3-15/16")
- Height **116** (4-9/16")
- Gray



Part no.

Lateral divider **Z43H100S.01**



\*To calculate Opening Width, refer to the MOVENTO/TANDEM brochure.

# ORGA-LINE for TANDEMBOX

ORGA-LINE for TANDEMBOX is Blum's solution for metal drawers. The adjustable organization is not only ideal for top drawers, but deep drawers, too.

The removable trays are made of high quality nylon and stainless steel, and are dishwasher safe up to 170° F. You can be sure they will last the lifetime of your kitchen.

**blum**

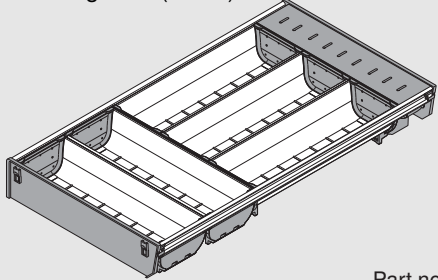
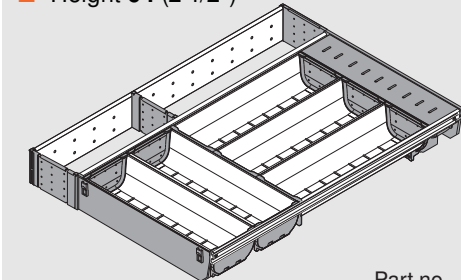


## ORGA-LINE for Flatware

This adjustable organization solution for TANDEMBOX is ideal for flatware. The removable containers are perfect for setting the table or tossing in the dishwasher. Combine kits to suit wider cabinets.

To calculate inside drawer width available:

**TANDEMBOX** Inside cabinet width - 84 (3 - 5/16")

Flatware		Flatware	
<ul style="list-style-type: none"> <li>Width 280 (11")</li> <li>Height 64 (2-1/2")</li> </ul>		<ul style="list-style-type: none"> <li>Width 377 (14-13/16")</li> <li>Height 64 (2-1/2")</li> </ul>	
	Part no.		Part no.
500 (20")	ZSI.500BI3A	500 (20")	ZSI.500KI4A
550 (22")	ZSI.550BI3A	550 (22")	ZSI.550KI4A



## ORGA-LINE for Utensils

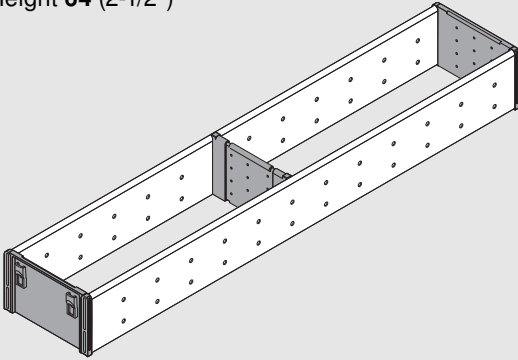
ORGA-LINE for utensils is a great solution for storing items of all shapes and sizes. The individual trays can be rearranged to suit your specific needs. The kits can be combined to suit a wide range of cabinet widths.

To calculate inside drawer width available:

**TANDEMBOX** Inside cabinet width - **84** (3 - 5/16")

**Utensils**

- Width **105** (4-1/8")
- Height **64** (2-1/2")

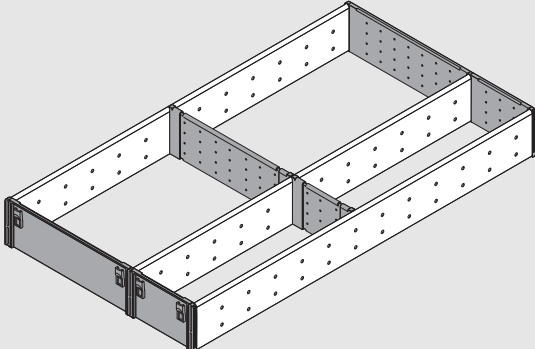


Part no.

500 (20")	ZSI.500FI1
550 (22")	ZSI.550FI1

**Utensils**

- Width **291** (11-7/16")
- Height **64** (2-1/2")



Part no.

500 (20")	ZSI.500FI3
550 (22")	ZSI.550FI3



## ORGA-LINE for Odds and Ends

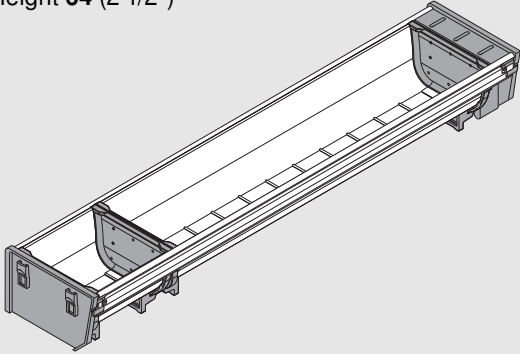
Organize odds and ends with the ORGA-LINE adjustable organization system. The customizable trays make it easy to adapt to any drawer configuration throughout the home. Combine sets to suit wider applications.

To calculate inside drawer width available:

**TANDEMBOX** Inside cabinet width - **84** (3 - 5/16")

**Odds and ends**

- Width **103** (4-1/16")
- Height **64** (2-1/2")

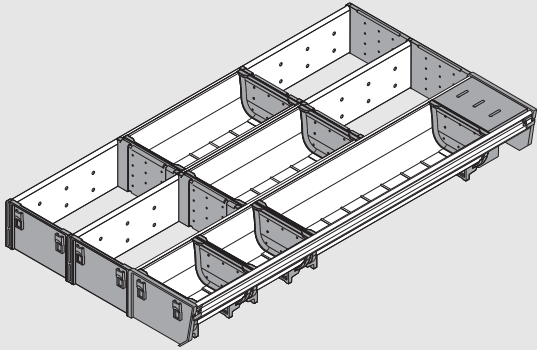


Part no.

500 (20")	<b>ZSI.500B1N</b>
550 (22")	<b>ZSI.550B1N</b>

**Odds and ends**

- Width **297** (11-11/16")
- Height **64** (2-1/2")



Part no.

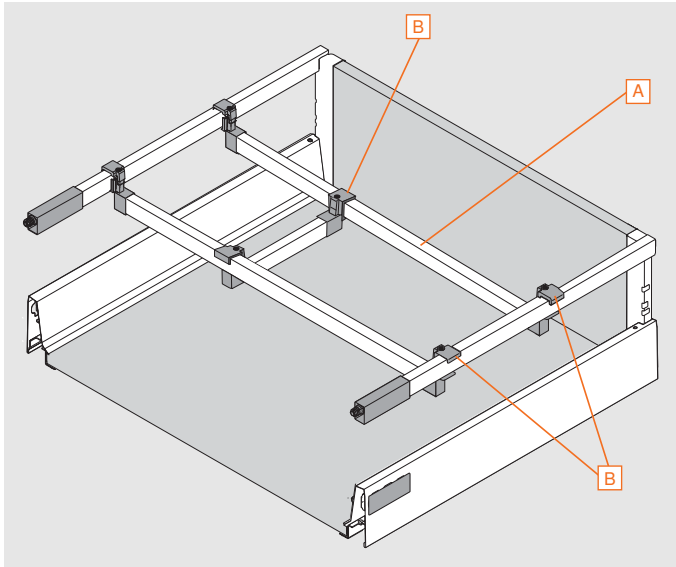
500 (20")	<b>ZSI.500MI3</b>
550 (22")	<b>ZSI.550MI3</b>



## ORGA-LINE for B or D Height TANDEMBOX with Gallery Rails

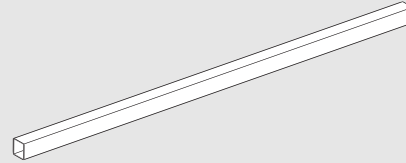
An ideal organization system designed to work with TANDEMBOX deep drawers using gallery rails. Elegant and easy to build, simply use the divider and connector system to customize your drawers.

To calculate inside drawer width available:  
**TANDEMBOX** Inside cabinet width - **84**  
 (3 - 5/16")



### A Cross gallery rail divider

- Length **1118** (44-1/32")
- Cutting: ICW - 63 mm
- Opening width minus **63** (2-1/2")
- Available in gray



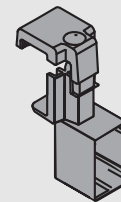
Part no.

Cross gallery rail divider

**ZRG.1118Q**

### B Cross gallery rail connector

- Two required
- Available in light gray



Part no.

Cross gallery rail connector

**ZRU.01E0**



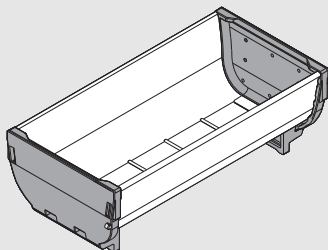


## Trays and Dividers for ORGA-LINE

Additional trays and dividers can easily be added to customize your drawers. The high-quality stainless steel trays are very easy to clean without blemishing the material – even in the dishwasher.

### ORGA-LINE double tray

- Length 176 (7")
- Width 88 (3-7/16")
- Height 61 (2-3/8")



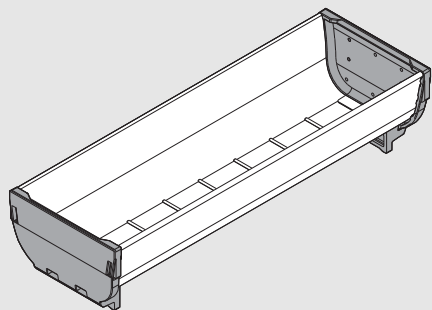
Part no.

Double tray

ZSI.020SI

### ORGA-LINE triple tray

- Length 264 (10-13/32")
- Width 88 (3-7/16")
- Height 61 (2-3/8")



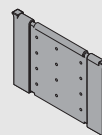
Part no.

Triple tray

ZSI.030SI

### ORGA-LINE single cross divider

- Length 90 (3-9/16")
- Height 64 (2-1/2")



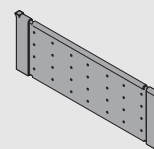
Part no.

Single cross divider

ZSI.010Q

### ORGA-LINE double cross divider

- Length 179 (7-1/16")
- Height 64 (2-1/2")



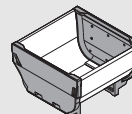
Part no.

Double cross divider

ZSI.020Q

### ORGA-LINE single tray

- Length, width 88 (3-7/16")
- Height 61 (2-3/8")



Part no.

Single tray

ZSI.010SI



## Accessories for ORGA-LINE

**Knife holder:** The ORGA-LINE knife holder keeps the counter clear for prepping, while keeping knives safely within reach.

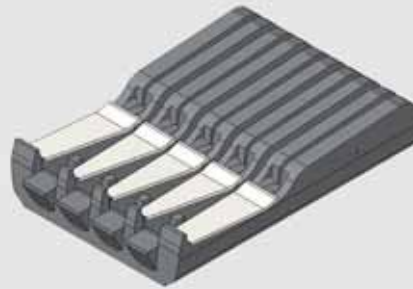
**Spice tray:** The ORGA-LINE spice tray keeps spices neatly organized – the tray can be removed from the drawer, keeping the spices where you need them most.

**Plate holder:** With Blum's plate holders, storing plates in a drawer is now possible. The holder keeps plates neatly stacked without sliding around, and makes it easy to pick up the entire stack of plates for serving.



### ORGA-LINE knife holder

- Length **282** (11-1/8")
- Width **178** (7")
- Height **56** (2-3/16")
- Holds up to 9 knives of different sizes
- High quality nylon and stainless steel
- Dishwasher safe up to 170° F
- Handle supports (qty 4)



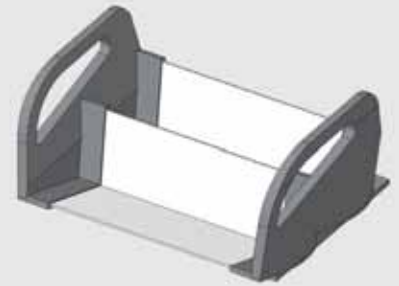
Part no.

Knife holder

**ZSZ.02M0**

### ORGA-LINE spice tray

- Width **282** (11-1/8")
- Inside storage width **260** (10-1/4")
- Height **121** (4-3/4")
- Easy removal from drawer
- High quality nylon and stainless steel
- Set includes two trays and four feet



Part no.

Spice tray

**ZFZ.38G01**

### Plate holder

- Plate diameter **167 to 312** (6-9/16" to 12-5/16")
- Overall width **247 to 392** (9-3/4" to 15-7/16")
- Overall height **170** (6-11/16")
- Holds up to 12 plates
- Non-slip bottom
- High quality nylon and stainless steel



Part no.

Plate holder

**ZC7T0350**





## Blum's Zone Planner

Knowing how much storage space is needed allows for better planning. While all kitchens store the same basic needs, what makes each kitchen unique are the priorities and quantities of those storage items. The Zone Planner separates storage goods into five zones which allow you to consider what items you store and in what quantity.

[www.blum.com/zoneplanner](http://www.blum.com/zoneplanner)

### Plan Ahead

Based on the DYNAMIC SPACE concept, Blum's Zone Planner allows you to think about how your cabinets will function beneath the surface prior to selecting your cabinets. With this tool, ensure your new kitchen will be laid out efficiently and with plenty of storage space for the items you use most.

### Customize

All kitchen storage items are organized according to zone. Move through each zone, selecting the items you want to store in your new kitchen. Ensure there is enough space designated for your items by selecting whether you have fewer, average or more of each storage item.

### Save and Print

Save your storage list and come back to look over it later. After you have recognized what items you will need to store in your new kitchen, and in what quantity, print your results so you will be well prepared to meet with your kitchen designer and one step closer to a more efficient, comfortable kitchen.



### Connect With Us on Social Media

Be sure to connect with us on social media for additional resources for information regarding tips on installation, maximizing storage space, new products and other news and events going on inside Blum.

Find us by searching "Blum Inc" in the search bar.



## Real People, Real Solutions

Everything we do at Blum revolves around the desire to create a better experience for kitchen users. For more than 20 years, we have been researching the habits and lifestyles of homeowners around the globe. We pay attention to how users move in their kitchens and where they store their items. We pour that research into our products, considering function, quality and sustainability.

### Kitchen Observations

We observe kitchens through the use of video cameras and questionnaires. A close look at everyday use reveals important insights and inspiration for new products.



### AGE EXPLORER Suit

This suit allows the wearer to experience common physical limitations. We take this into consideration when developing our products, ensuring usability for years to come.



### Put Your Kitchen to Work

Easy opening and silent, effortless closing in drawers increase usability in the kitchen. At Blum, this is achieved with state-of-the-art technology.





**blum**<sup>®</sup>





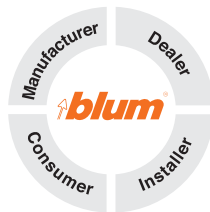
## Why Choose Blum



Blum, Inc. is a leading manufacturer of functional hardware for the kitchen cabinet and commercial casework industries specializing in lift systems, concealed hinges and drawer runner systems. Virtually all of the hardware needed to assemble and make cabinets functional is available within the wide range of quality Blum products. Blum supports the U.S. market with a network of more than 150 dependable distributors, 50+ knowledgeable Blum sales representatives and an experienced customer service department.

### Commitment to manufacturing in the U.S.

Blum manufactures many of its products in our 450,000 sq ft manufacturing, logistics and warehouse facility located in Stanley, North Carolina. Manufacturing closer to the customer allows Blum to react quickly to changing customer needs including unexpected surges in demand. Customer pickups and deliveries can be timed to better match their production schedules. Blum is committed to manufacturing in the U.S. for the U.S. market.



Product development at Blum considers all of the various customers who will come in contact with our products. With this “Global Customer Benefits” philosophy we strive to create advantages for all users.



Blum, Inc. is ISO 9001 certified which means that you are assured of consistent quality in every Blum product. They exceed the requirements of ANSI/BHMA standards for cycle life, static load and self-closing performance.



Please visit [blum.com](http://blum.com) for information on other Blum products  
LIT.ORG1000.01.20 Ident. 26308510 © 2020 Blum, Inc.

Blum, Inc.  
7733 Old Plank Rd.  
Stanley, NC 28164  
800-438-6788  
[blum.com](http://blum.com)

