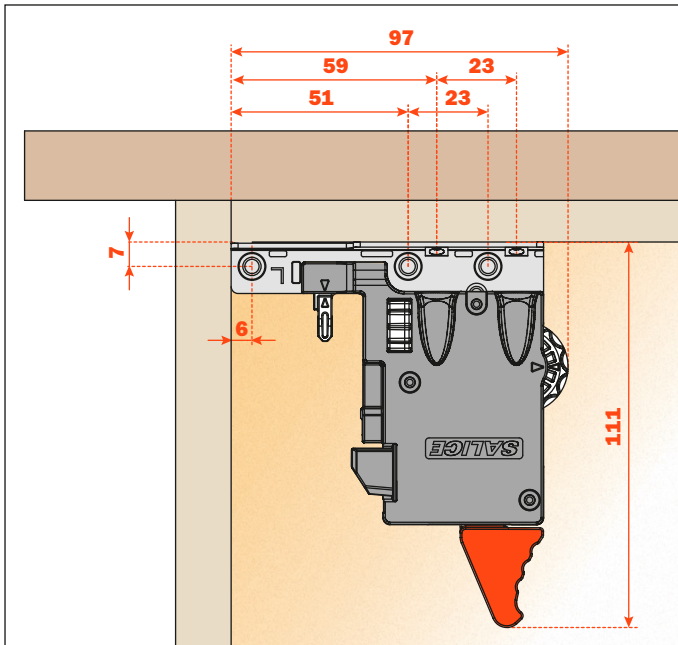




F70 Clips - Locking devices

F70 Locking devices - standard mount - side and depth adjustments

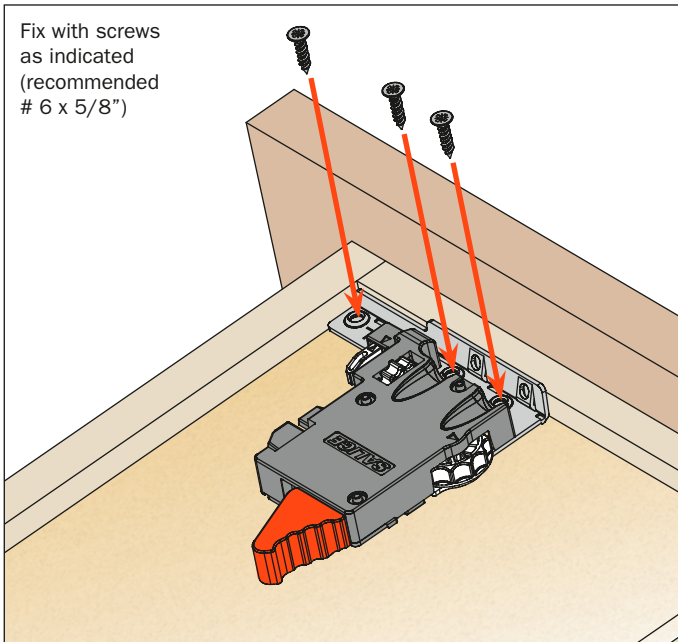
- Dual metal/plastic construction
- For all F70 runner versions
- Tool free lateral and depth adjustments
- Pre-drilling recommended \varnothing 2.5 mm (3/32")



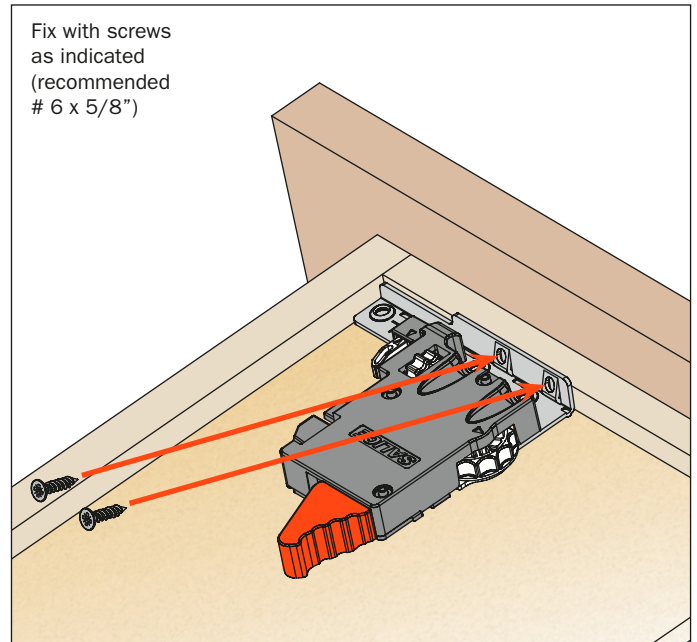
AFCGXX3B

PACKAGING
2 boxes = 100 pcs right and 100 pcs left

Assembly to the bottom



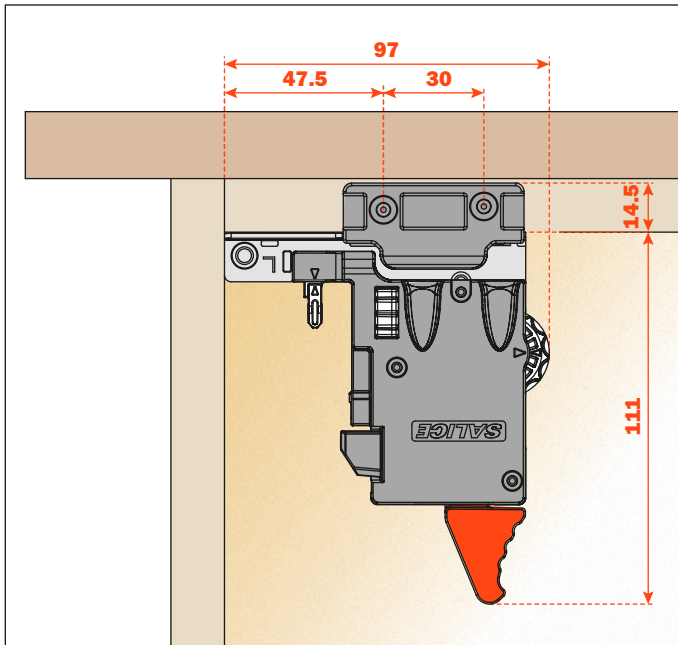
Assembly to the sub-front drawer member



Use **drilling template** for accurate installation of the clips, see page 35.

F70 Locking devices - Vertical mount - side and depth adjustments

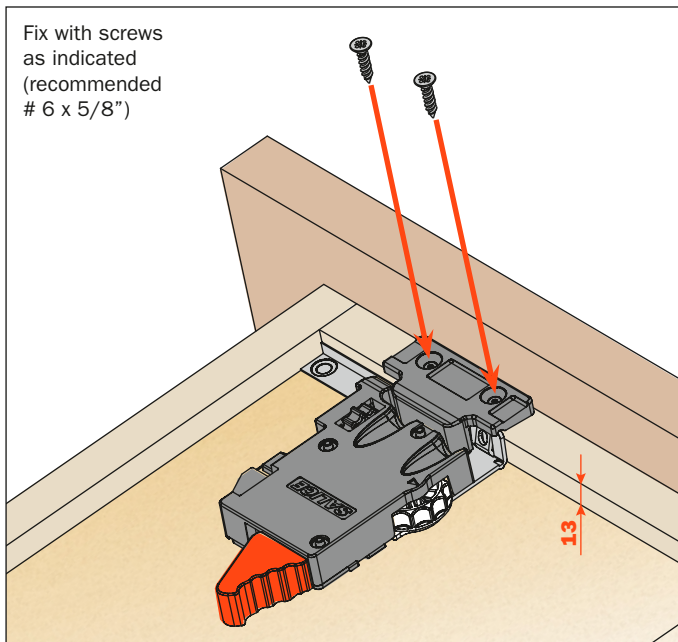
- Dual metal/plastic construction
- For all F70 runner versions
- Tool free lateral and depth adjustments
- Height of the sub front must be 13 mm (1/2")
- Pre-drilling recommended \varnothing 2.5 mm (3/32")



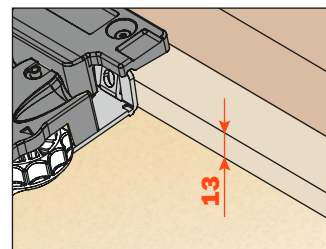
AFCGX43B

PACKAGING
2 boxes = 100 pcs right and 100 pcs left

Assembly to the sub-front drawer member



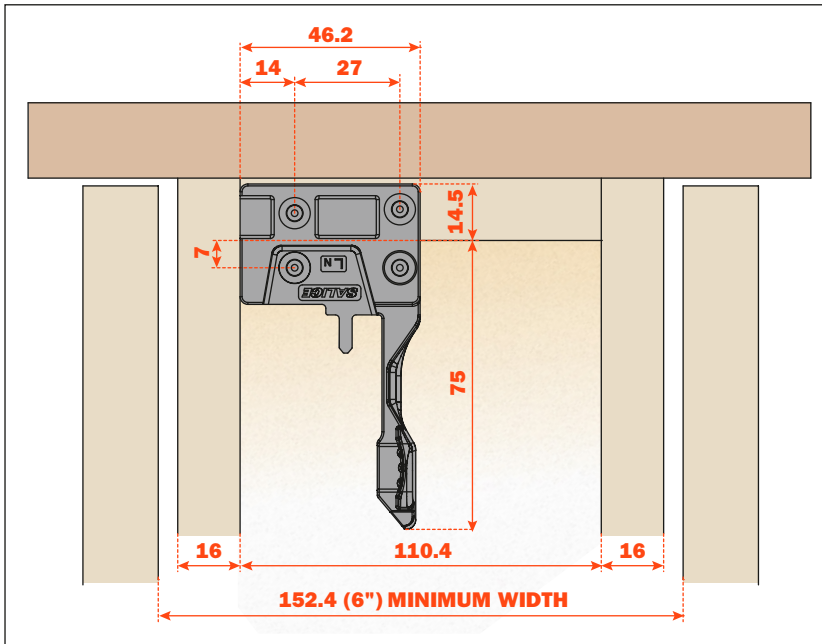
Use **drilling template** for accurate installation of the clips, see page 35.



Height of the sub front must be 13 mm (1/2").

F70 Locking devices - Narrow drawer clip

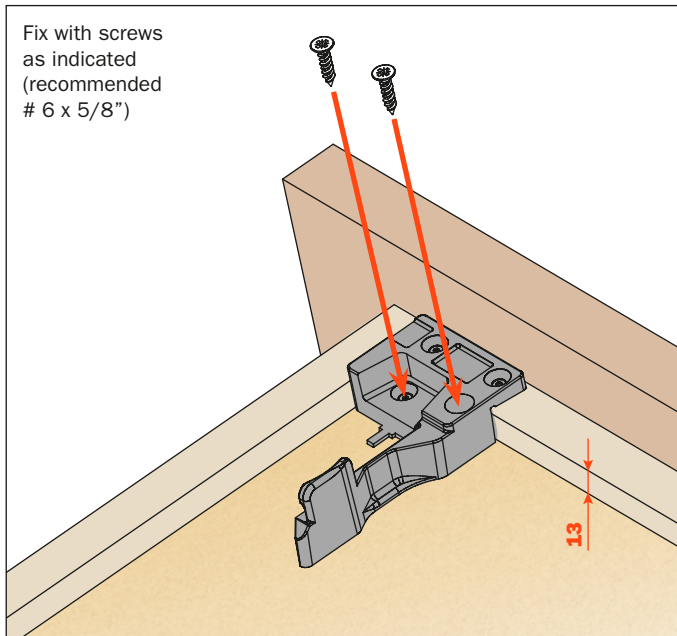
- For use with narrow drawers
- For all F70 runner versions
- Height of the sub front must be 13 mm (1/2")



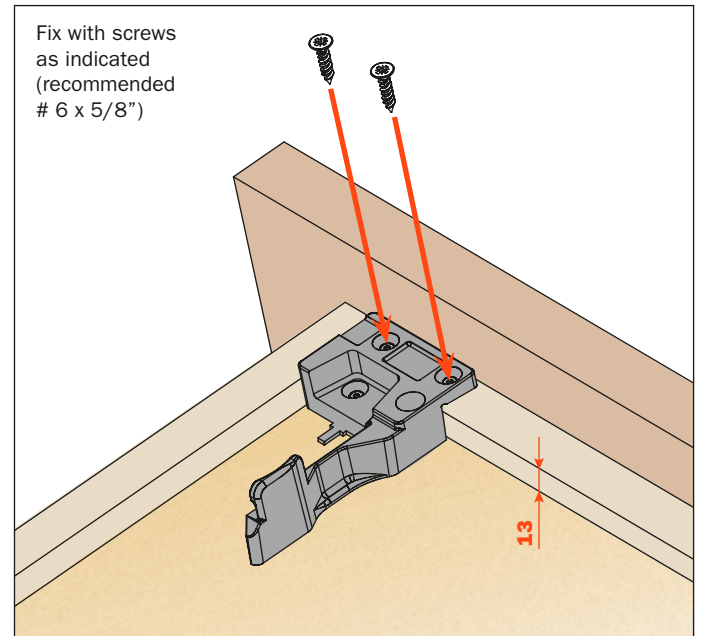
AFCEX43B

PACKAGING
2 boxes = 100 pcs right and 100 pcs left

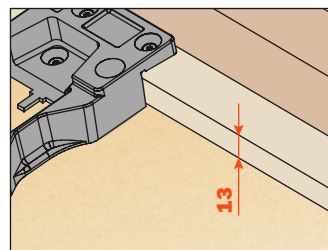
Assembly to the bottom



Assembly under the sub-front drawer member



Use **drilling template** for accurate installation of the clips, see page 36.



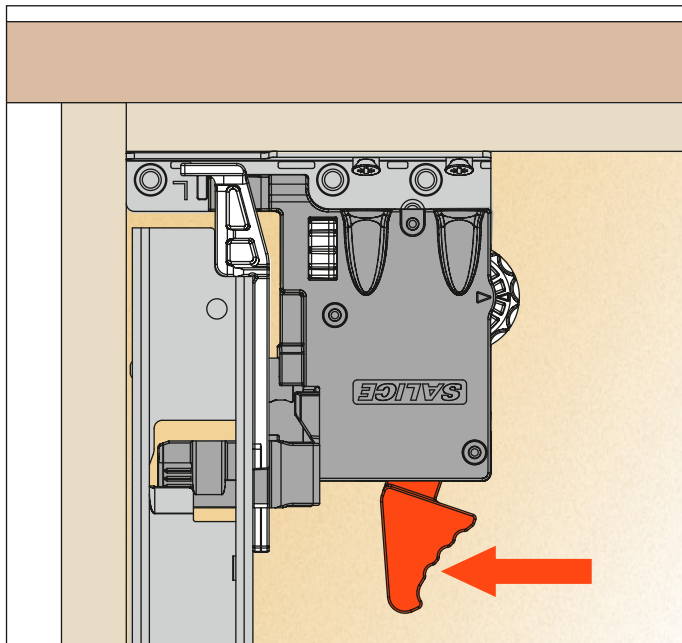
Use **drilling template** for accurate installation of the clips, see page 36.

Height of the sub front must be 13 mm (1/2").

Drawer removal

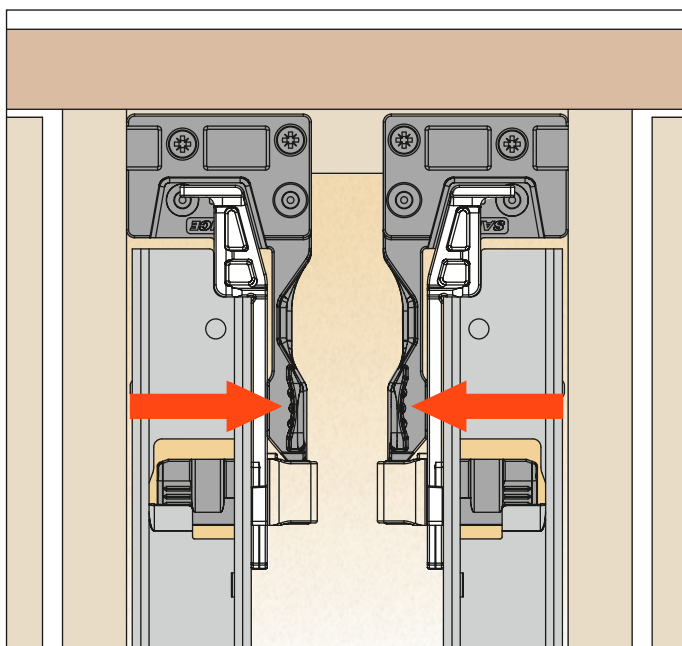
Standard and vertical mount

Position hands under the front of the drawer and press on the orange levers, as indicated in the drawing, sliding the drawer out of the cabinet.



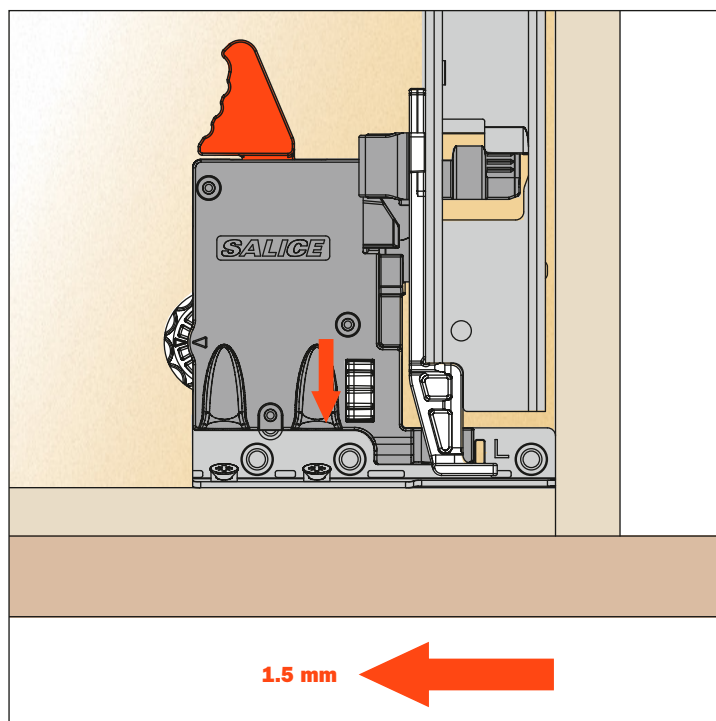
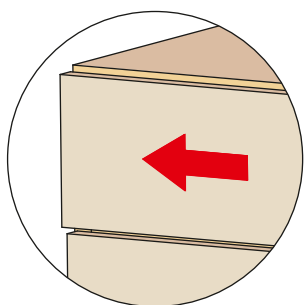
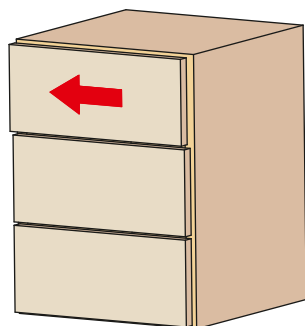
Narrow drawer clip

Position hands under the front of the drawer and press on the black levers, as indicated in the drawing, sliding the drawer out of the cabinet.

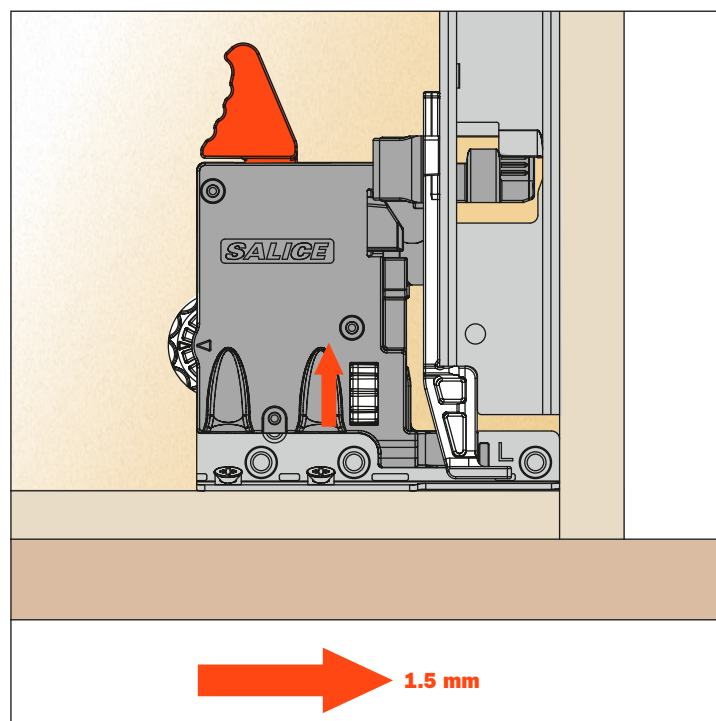
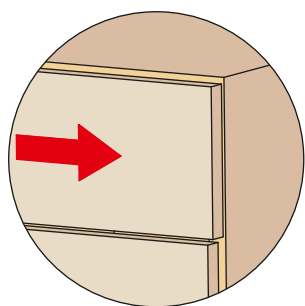
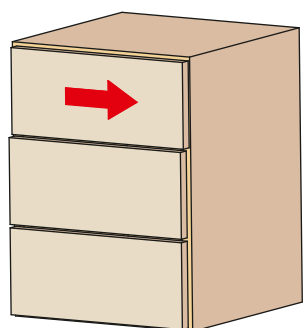


Side adjustment +/- 1.5 mm

Rotate the white wheel (see drawing) towards the front of the drawer to adjust left.
This operation is tool free.



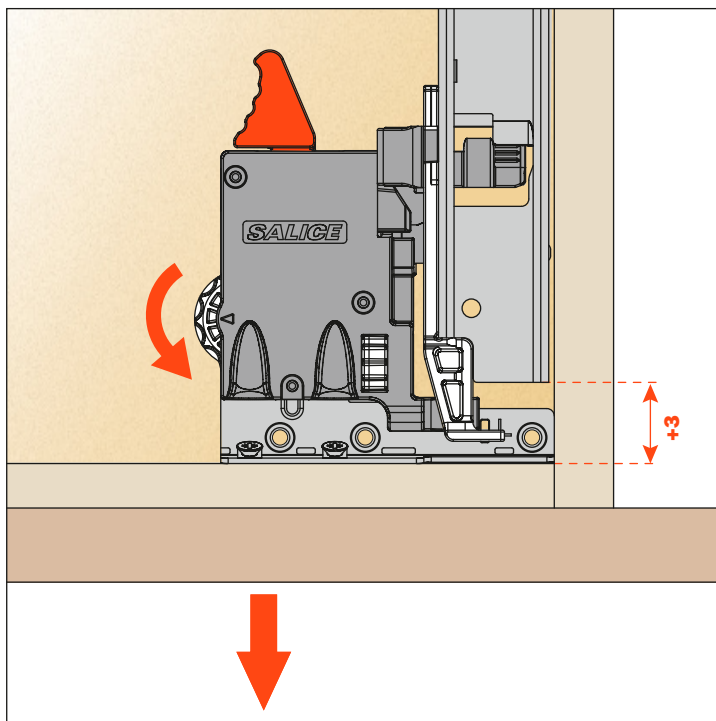
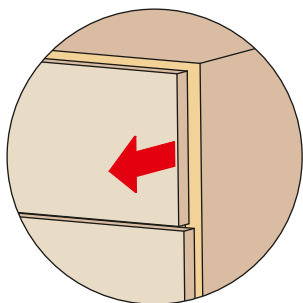
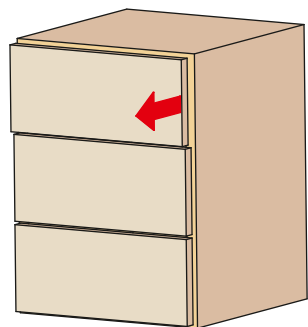
Rotate the white wheel (see drawing) towards the back of the drawer to adjust right.
This operation is tool free.



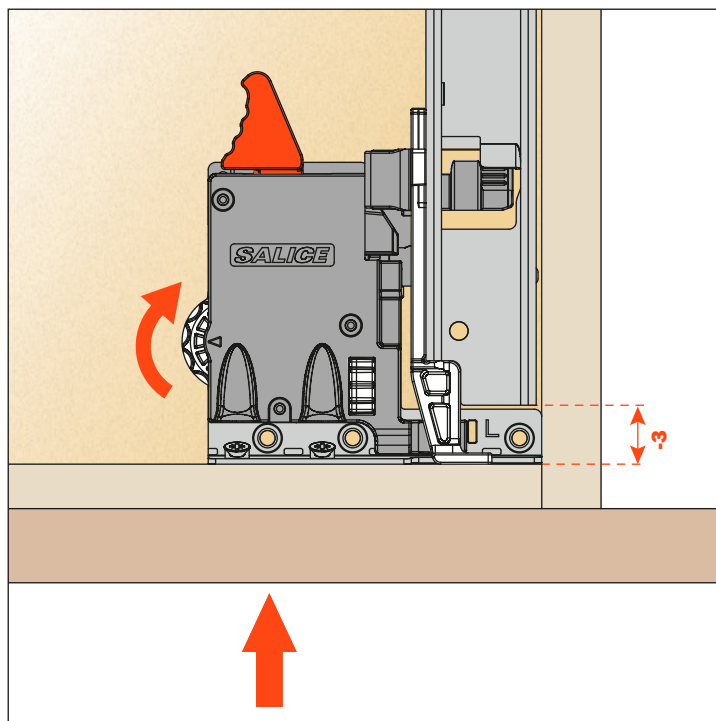
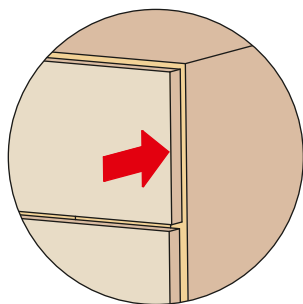
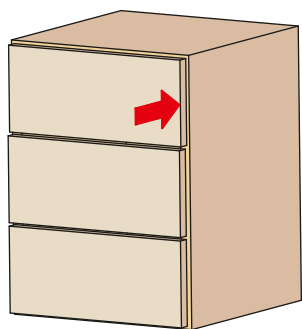
For side adjustment, it is recommended that both the adjusters on the clips are in the same direction, in order to maintain the correct alignment and function of the runners.

Depth adjustment +/- 3 mm

Rotate the white wheel (see drawing) towards the outside of the drawer to increase the gap between the front and the side. This operation is tool free.

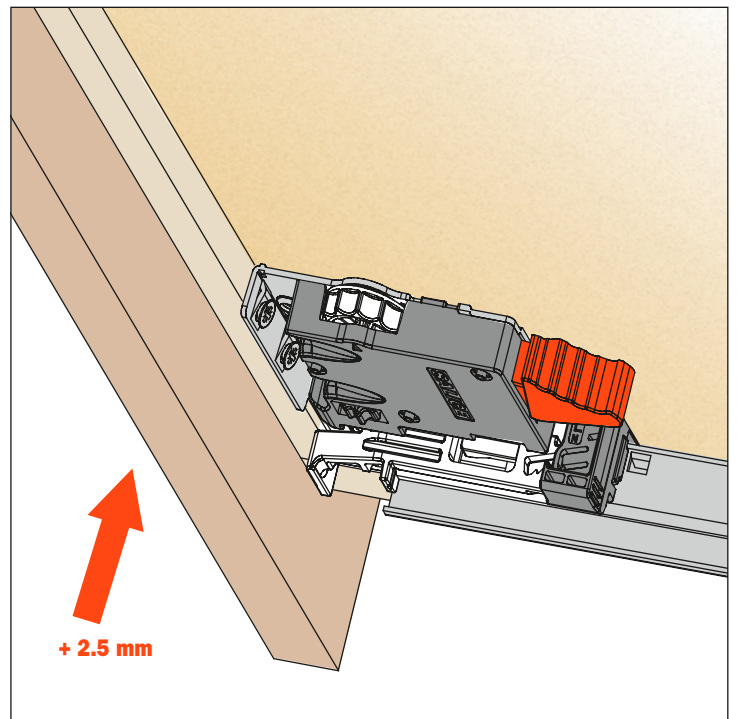
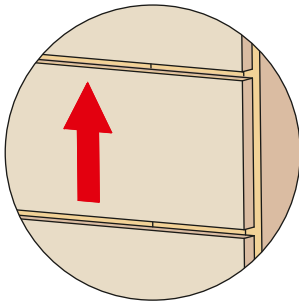
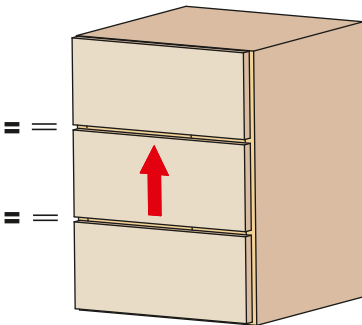
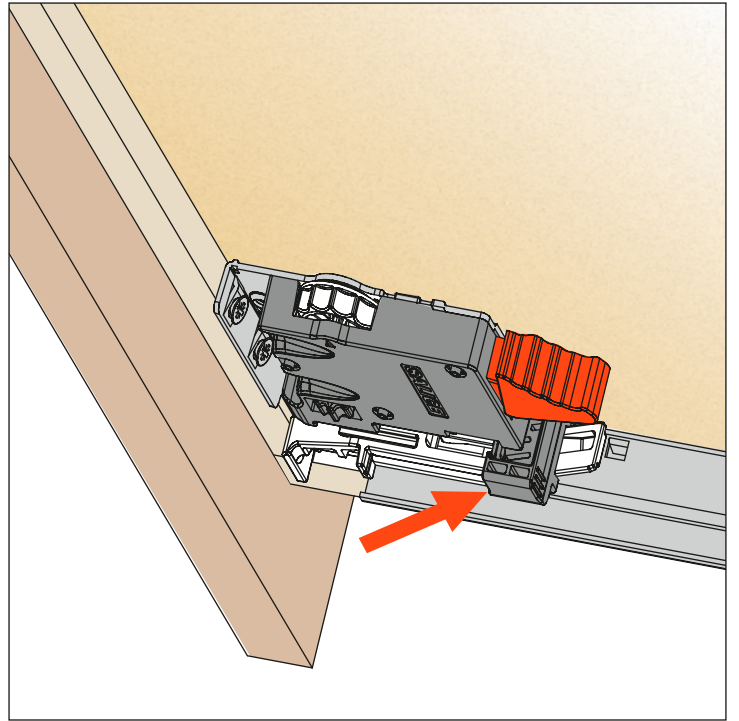
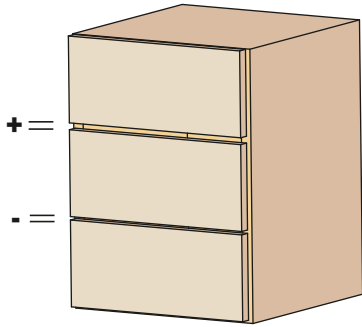


Rotate the white wheel (see drawing) towards the inside of the drawer to reduce the gap between the front and the side. This operation is tool free.



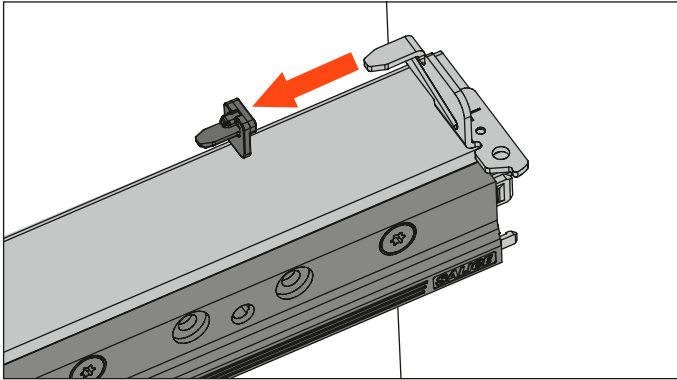
Height adjustment + 2.5 mm

Press the lever towards the back of the drawer to achieve the height adjustment.
This operation is tool free.

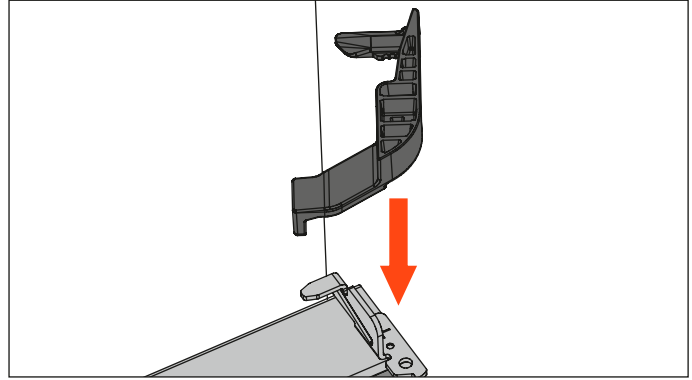


Assembly of tilt adjustment levers (optional)

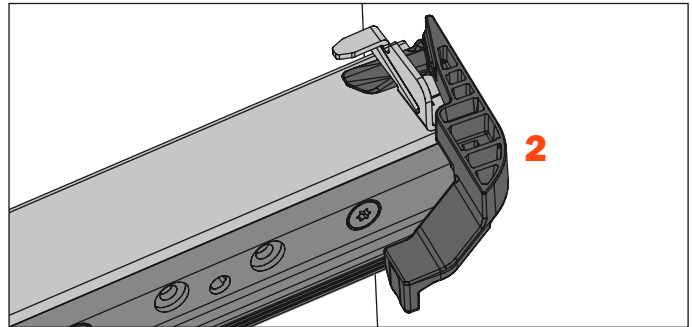
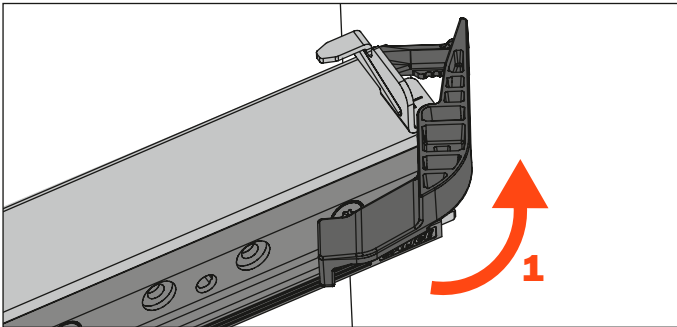
Pull out the drawer and remove the plastic insert, both right and left.



Insert the tilt adjustment levers, both right and left.



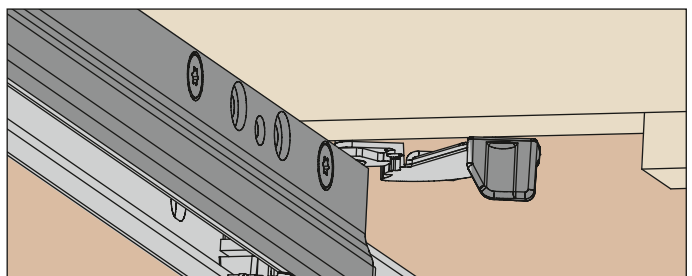
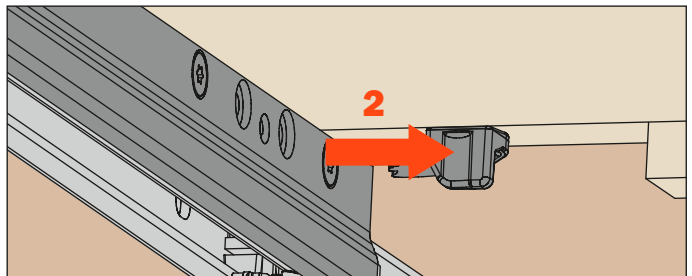
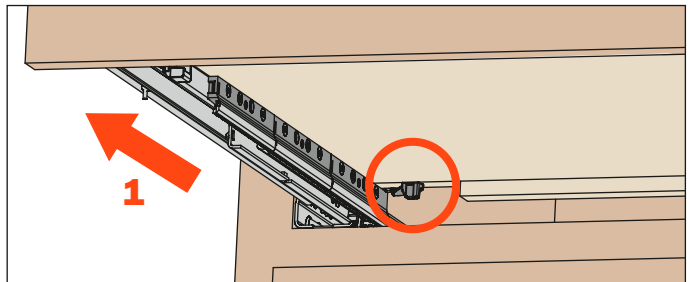
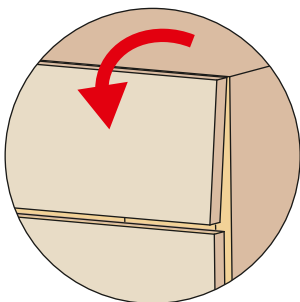
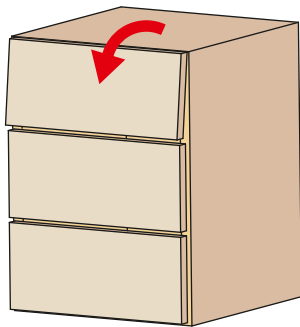
Rotate the lever to adjust.



Tilt adjustment + 3 mm

Open the drawer (1) and press the lever towards the back of the cabinet (2) to achieve the adjustment.

Maximum 3 mm (1/8") rise of drawer back (tool free).



Drawer back preparation, see page 9.
AGLRXX3F tilt adjustment lever, see page 37.