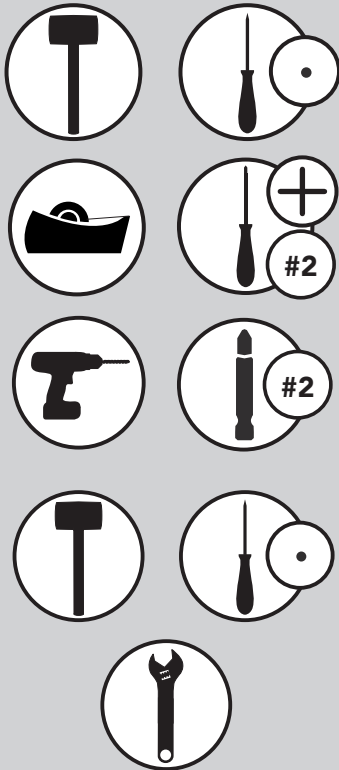


INSTALLATION INSTRUCTIONS

THE CLOUD: BLIND CORNER ORGANIZER

TOOLS REQUIRED:



ESTIMATED ASSEMBLY TIME:

SINGLE TRAY APPLICATION
30 MIN

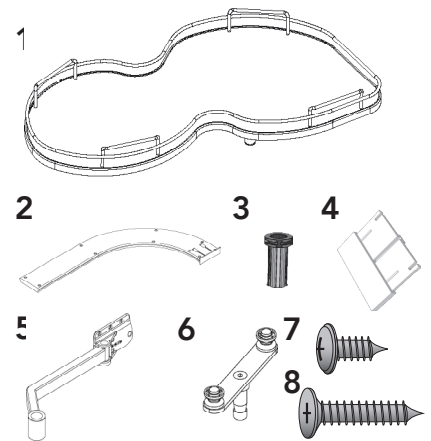
DOUBLE TRAY APPLICATION
60 MIN

CARE AND MAINTENANCE:

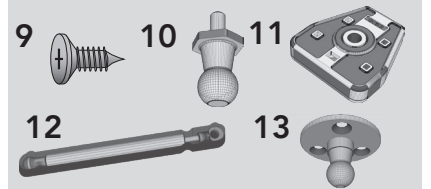
Clean with a damp cloth and wipe parts dry.



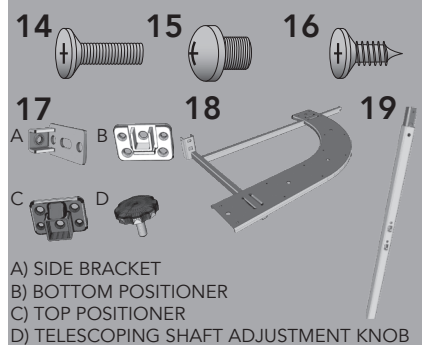
Parts List		Sgl Tier	2-Tier
No.	Description	Qty	Qty
1	Cloud Tray	1	2
2	Guide Track	1	2
3	Support Arm Plastic Cap	1	2
4	Plastic Tray Stop	2	4
5	Support Arm	1	2
6	Pivot Guide	1	2
7	Support Arm Screws	6	12
8	Guide Track Wood Screws	14	14
9	Soft-Close Ball Stud Screws	3	6
10	Support Arm Ball Stud	1	2
11	Support Arm Soft Close Piece	1	2
12	Soft-Close Piston	1	2
13	Soft-Close Tray Ball Stud	1	2
14	Guide Track Machine Screws	N/A	14
15	Top Shelf Support Pivot Screw	N/A	1
16	Side Bracket/Positioner Screws	N/A	17
17	2-Tier Hardware Set	N/A	1
18	2-Tier Top Shelf Support	N/A	1
19	Telescoping Shaft	N/A	1



PARTS 7-10 COME WITH SOFT-CLOSE HARDWARE BOX (SOLD SEPARATELY)



PARTS 11-16 COME WITH 2-TIER VERSION ONLY



NOTE:

THIS PRODUCT HAS 3 CONFIGURATIONS THAT HAVE SEPARATE INSTALLATION REQUIREMENTS. DETERMINE WHERE TO BEGIN YOUR INSTRUCTIONS BELOW:

SINGLE TIER VERSION – BEGIN ON PAGE 2

DOUBLE SINGLE TIER VERSION – BEGIN ON PAGE 4

TWO-TIER VERSION – BEGIN ON PAGE 6

NOTE:

FOR FACE FRAME CABINET APPLICATIONS, YOU WILL NEED A WOODEN PIECE TO SCAB OUT THE SIDE WALL OF THE CABINET, MAKING IT FLUSH WITH THE CABINET OPENING SO THE SUPPORT ARM CAN BE PROPERLY INSTALLED. (DETAILS INSIDE)

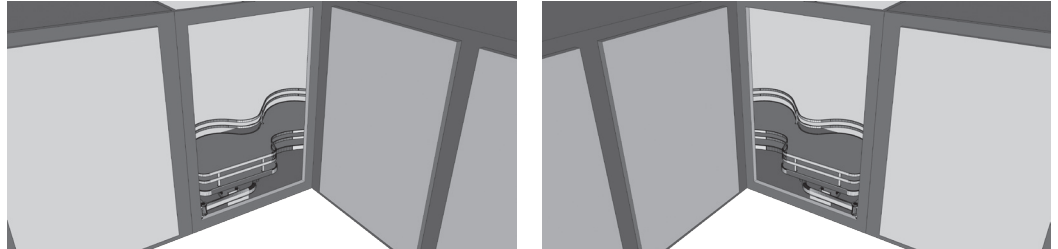
SINGLE TIER CLOUD INSTALLATION

STEP 1

The Cloud blind corner organizer can be used for both left door/blind right or right door/blind left applications. Refer to Figure 1.1 to determine your cabinet orientation. The figures in this booklet use left door/blind right examples. If you're installing in a right door/blind left application, the reverse of the figures in this booklet will be true for your cabinet.

If your cabinet is frameless, proceed to Step 2. If it is a face frame cabinet, you will need to scab your side wall in order to make it flush with the cabinet opening. Measure the width between the side wall and cabinet opening to determine how thick your wooden piece should be. The piece needs to be at least 10" deep in order to accommodate the support arm (See Figure 1.2).

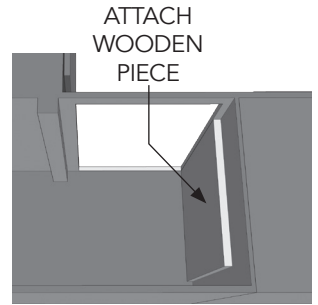
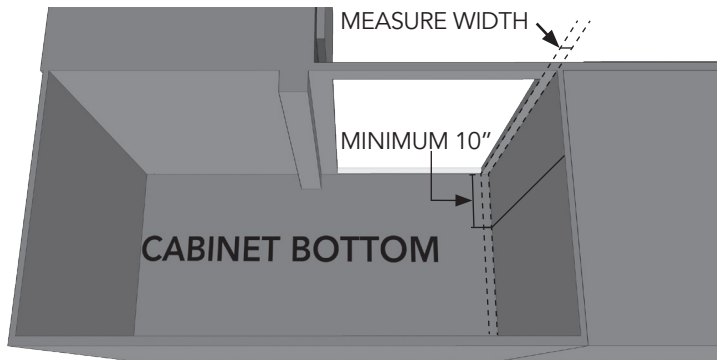
FIGURE 1.1



LEFT DOOR/BLIND RIGHT

RIGHT DOOR/BLIND LEFT

FIGURE 1.2

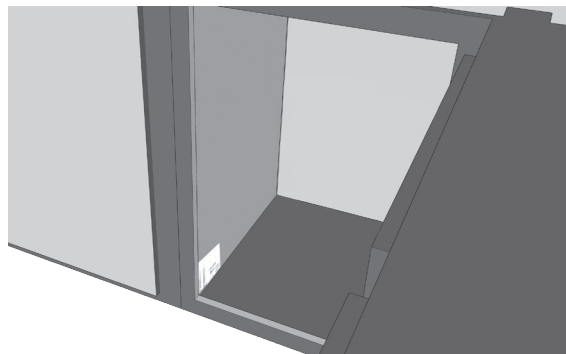


STEP 2

Place the support arm template against your cabinet sidewall furthest away from the blind area (See Figure 2). Follow the instructions on the template for placement. Use tape if necessary to affix the template to the cabinet wall while punching holes.



FIGURE 2

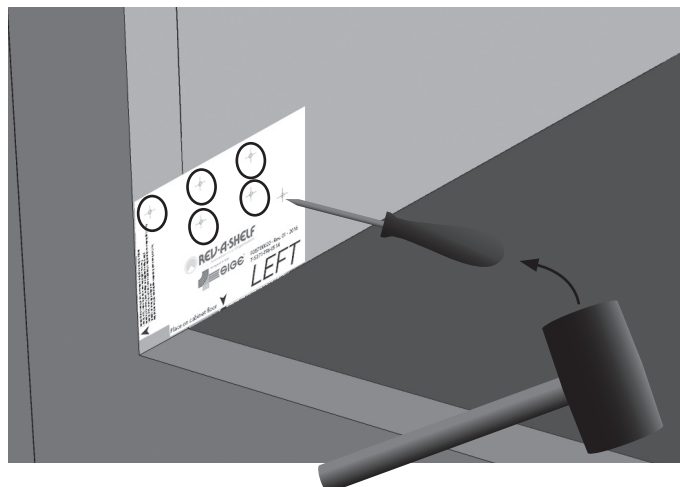


STEP 3

Using an awl and rubber mallet, punch holes to assist in securing your fasteners. Remove the template when done (See Fig 3).



FIGURE 3

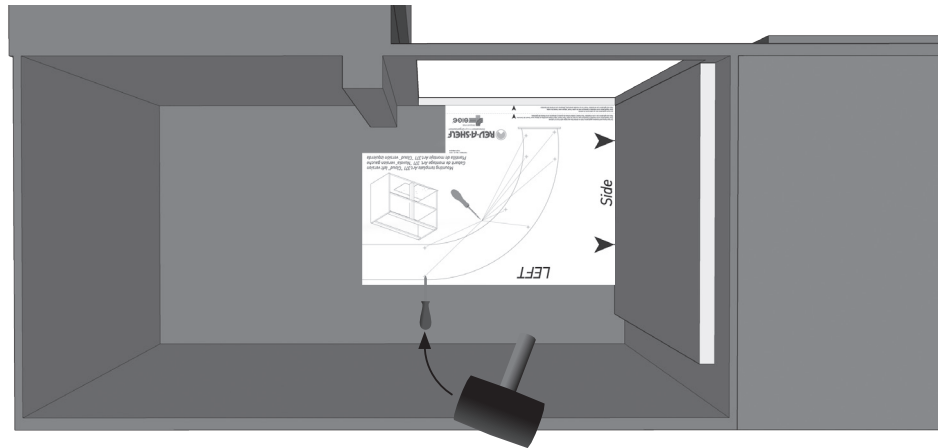


STEP 4

Place the guide track template on your cabinet floor. Follow the directions on the template to orient the template correctly. Secure template to the floor with tape and punch pilot holes with your awl and rubber mallet (See Fig 4).



FIGURE 4

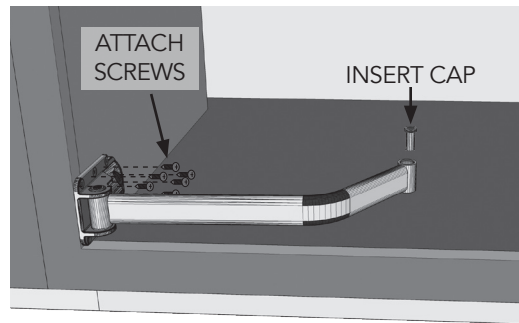


STEP 5

Using the provided support arm screws, secure the support arm to the cabinet side wall (See Fig 5). At this time, insert the plastic cap into the support arm as shown.



FIGURE 5



STEP 6

Using the provided guide track wood screws, secure the guide track to the cabinet floor (See Fig 6).



FIGURE 6

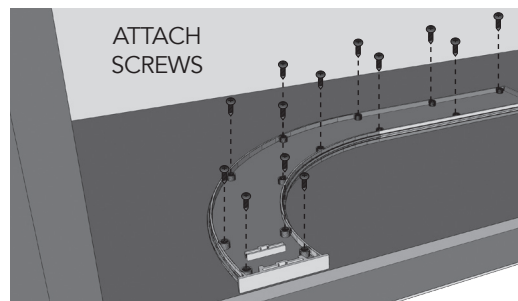
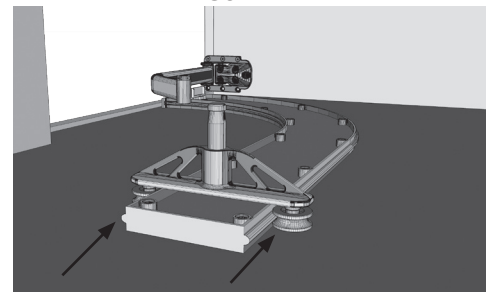


FIGURE 7



SLIDE PIVOT GUIDES HERE

STOP

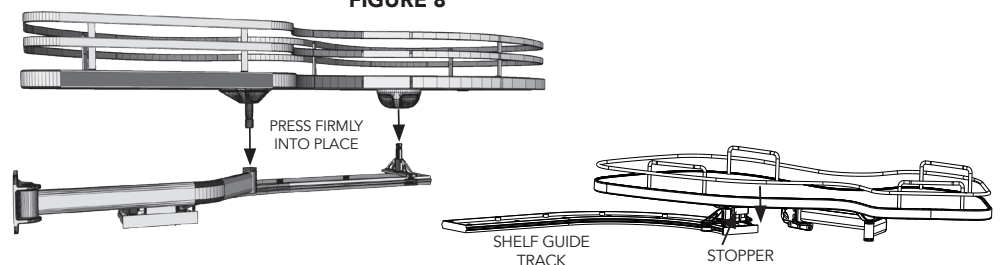
IF YOU INTEND TO INSTALL THE SOFT-CLOSE KIT, TURN TO PAGE 10 AT THIS TIME. OTHERWISE, PROCEED TO STEP 8 AND CONTINUE YOUR INSTALLATION.

STOP

STEP 8

Align the tray over the top of the pivot guide and support arm. Insert the tray into the corresponding attachments and press firmly into place. Snap the plastic tray stop into the shelf guide track. (See Fig 8).

FIGURE 8



DOUBLE SINGLE TIER CLOUD INSTALLATION

STEP 1

The Cloud blind corner organizer can be used for both left door/blind right or right door/blind left applications. Refer to Figure 1.1 to determine your cabinet orientation. The figures in this booklet use left door/blind right examples. If you're installing in a right door/blind left application, the reverse of the figures in this booklet will be true for your cabinet.

If your cabinet is frameless, proceed to Step 2. If it is a face frame cabinet, you will need to scab your side wall on both tiers of your cabinet in order to make it flush with the cabinet opening. Measure the width between the side wall and cabinet opening to determine how thick your wooden pieces should be. The pieces need to be at least 10" deep in order to accommodate the support arms (See Figure 1.2).

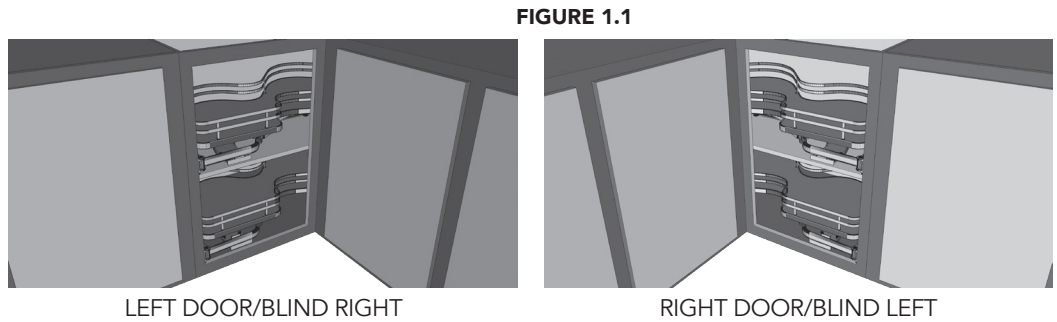


FIGURE 1.1

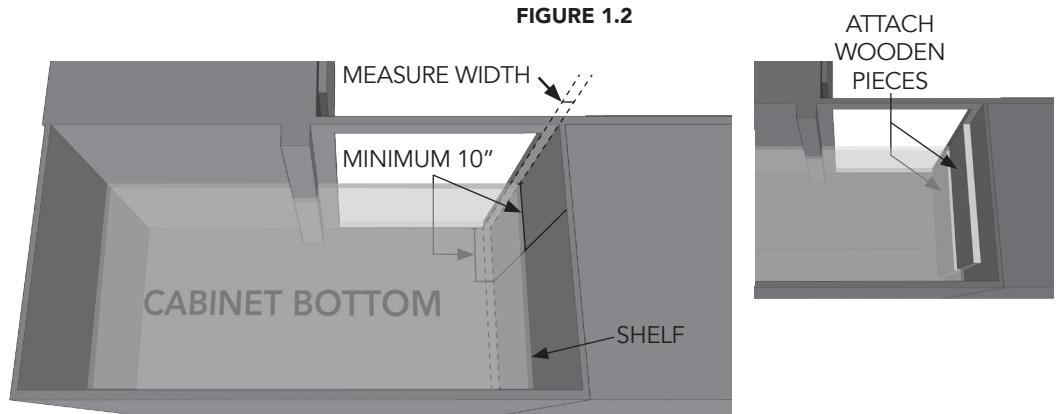


FIGURE 1.2

STEP 2

Place the support arm template against your cabinet sidewall furthest away from the blind area (See Figure 2). Follow the instructions on the template for placement. Use tape if necessary to affix the template to the cabinet wall while punching holes. Repeat this step for the upper shelf.

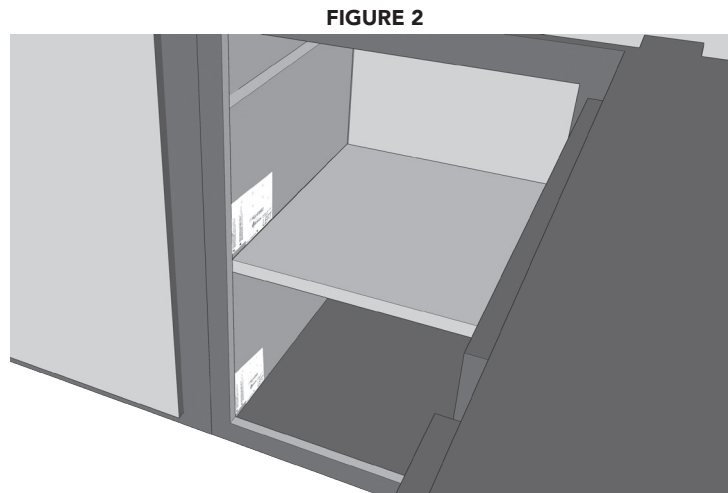


FIGURE 2

STEP 3

Using an awl and rubber mallet, punch holes to assist in securing your fasteners. Remove the template when done (See Fig 3).

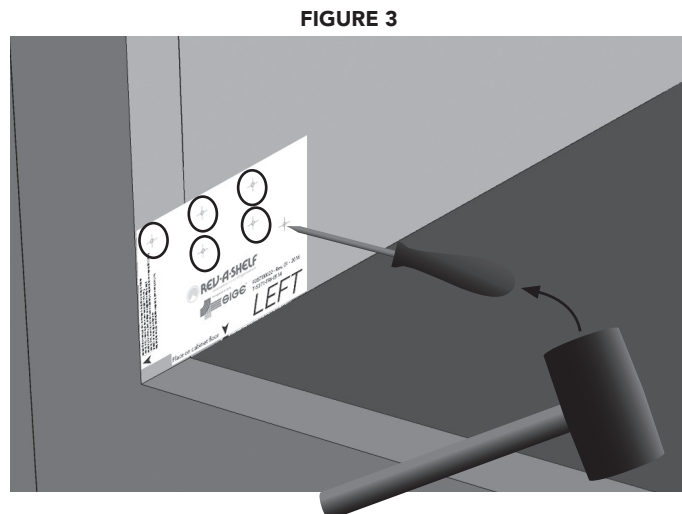


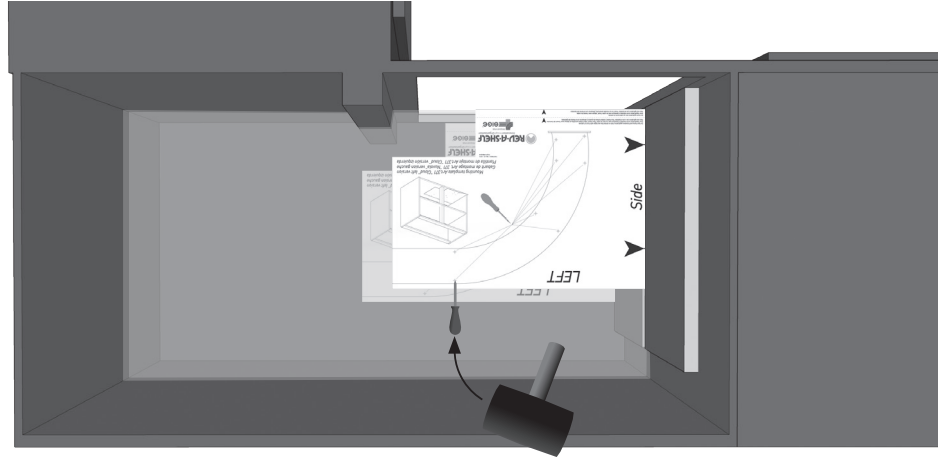
FIGURE 3

STEP 4

Place the guide track template on your cabinet floor. Follow the directions on the template to orient the template correctly. Secure template to the floor with tape and punch pilot holes with your awl and rubber mallet (See Fig 4). Repeat this step for the shelf where the upper tray will go.



FIGURE 4

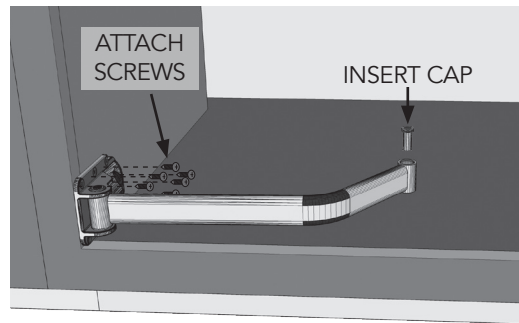


STEP 5

Using the provided support arm screws, secure the arm supports to the cabinet side wall using your punched holes as a guide (See Fig 5). At this time, insert the plastic cap into the support arm as shown.



FIGURE 5



STEP 6

Using the provided guide track wood screws, secure the guide tracks to the cabinet floor and shelf (See Fig 6).



FIGURE 6

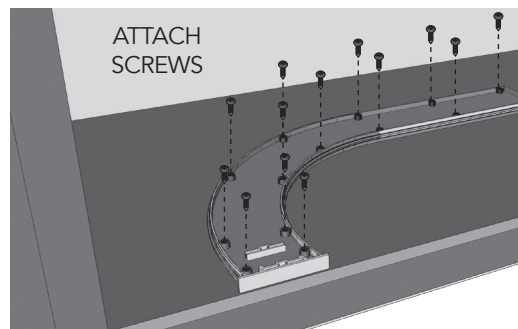
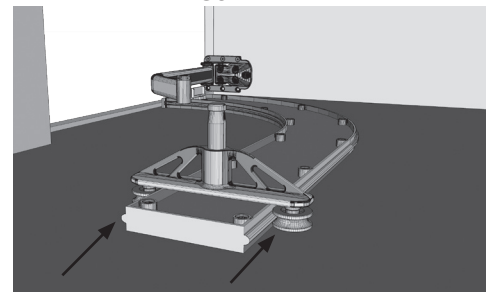


FIGURE 7



STEP 7

Slide the pivot guides onto the guide tracks (See Fig 7).



IF YOU INTEND TO INSTALL THE SOFT-CLOSE KIT, TURN TO PAGE 10 AT THIS TIME. OTHERWISE, PROCEED TO STEP 8 AND CONTINUE YOUR INSTALLATION.

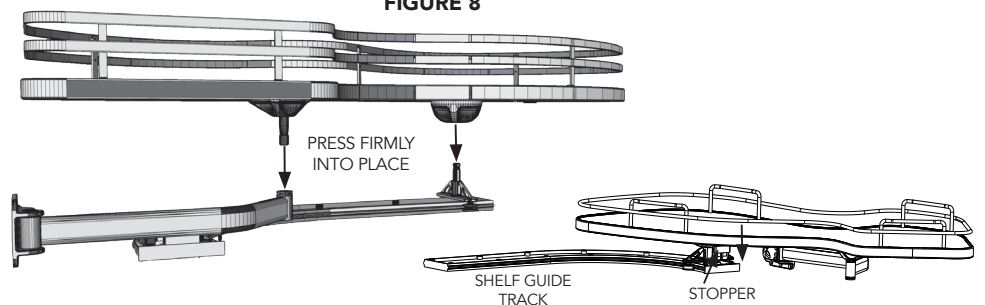


STEP 8

Align the tray over the top of the pivot guide and support arm. Insert the tray into the corresponding attachments and press firmly into place. Snap the plastic tray stop into the shelf guide track.

NOTE: Repeat steps 5-8 for the second tray.

FIGURE 8



2-TIER CLOUD INSTALLATION

STEP 1

The Cloud blind corner organizer can be used for left door/blind right or right door/blind left applications. Refer to Figure 1.1 to determine your cabinet orientation. The figures in this booklet use left door/blind right examples. If you're installing in a right door/blind left application, the reverse of the figures in this booklet will be true for your cabinet.

If your cabinet is frameless, proceed to Step 2. If it is a face frame cabinet, you will need to scab your side wall in order to make it flush with the cabinet opening. Measure the width between the side wall and cabinet opening to determine how thick your wooden piece should be. The piece needs to be at least 10" deep 20" tall in order to accommodate both support arms (See Figure 1.2).

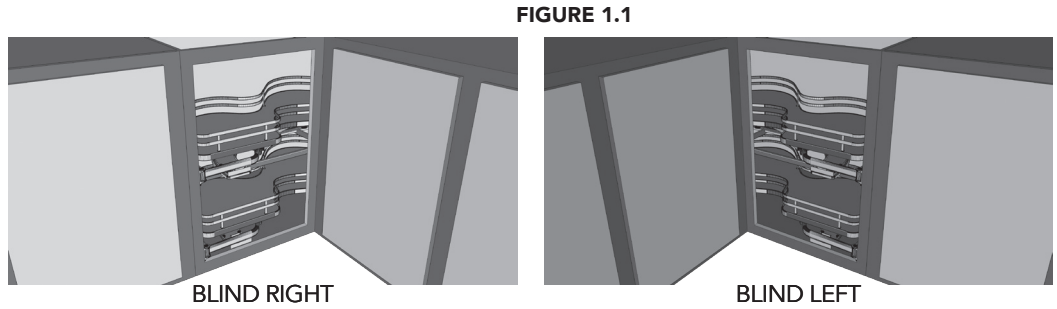


FIGURE 1.1

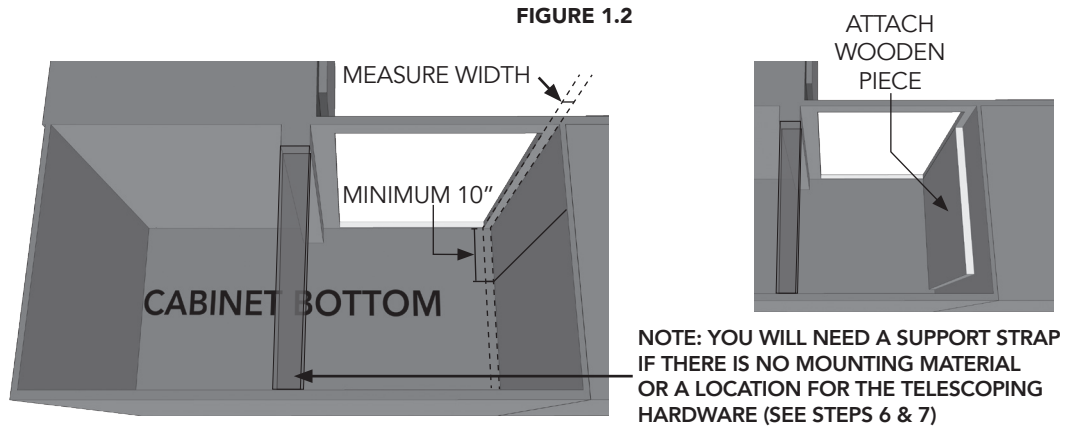


FIGURE 1.2

NOTE: YOU WILL NEED A SUPPORT STRAP IF THERE IS NO MOUNTING MATERIAL OR A LOCATION FOR THE TELESCOPING HARDWARE (SEE STEPS 6 & 7)

STEP 2

Place the support arm template against your cabinet sidewall furthest away from the blind area (See Figure 2). Follow the instructions on the template for placement. Use tape if necessary to affix the template to the cabinet wall while punching holes.

NOTE: Keep this template handy, as you will use it for the upper tray in Step 9.

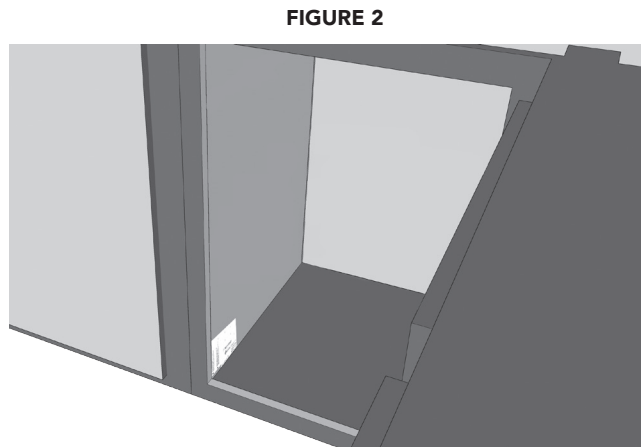


FIGURE 2

STEP 3

Using an awl and rubber mallet, punch holes to assist in securing your fasteners. Remove the template when done (See Fig 3).

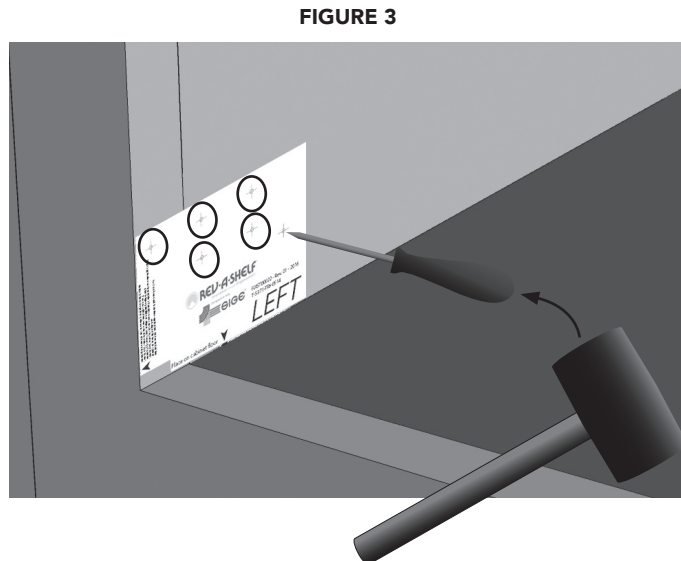


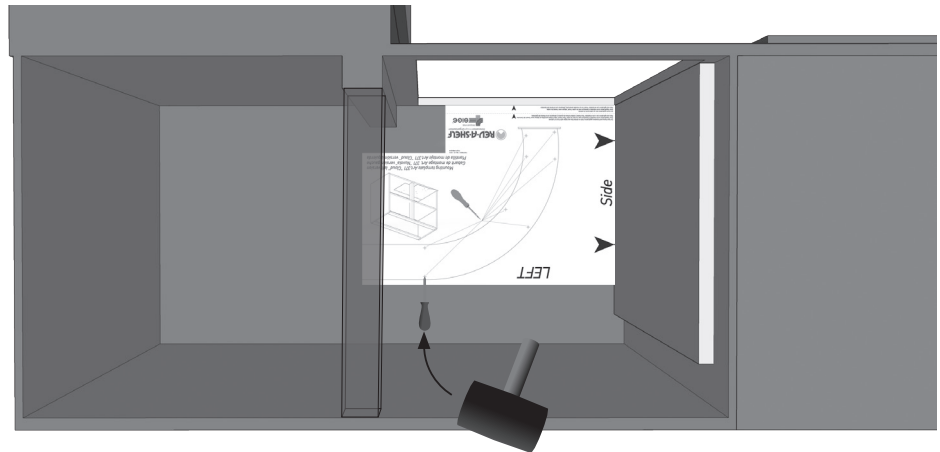
FIGURE 3

STEP 4

Place the guide track template on your cabinet floor. Follow the directions on the template to orient the template correctly. Secure template to the floor with tape and punch pilot holes with your awl and rubber mallet (See Fig 4).



FIGURE 4



STEP 5

Remove the guide track template and replace with the telescoping shaft template. Secure in place with tape and punch your hole locations with an awl and rubber mallet (See Fig 5.1). Turn the template upside down repeat for the cabinet ceiling (See Fig 5.2).



FIGURE 5.1

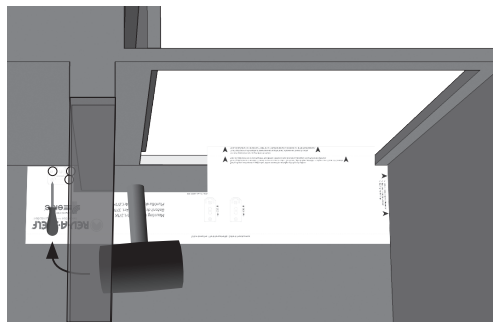


FIGURE 5.2

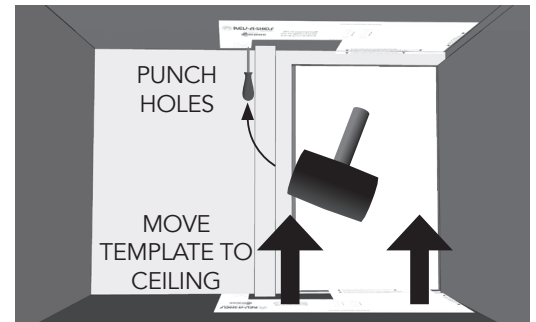


FIGURE 6.1

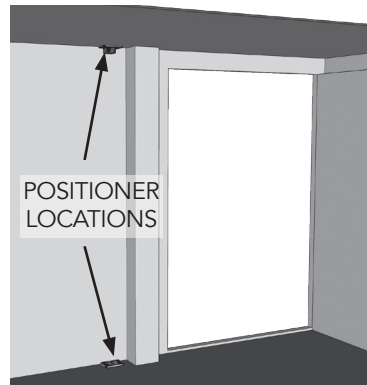
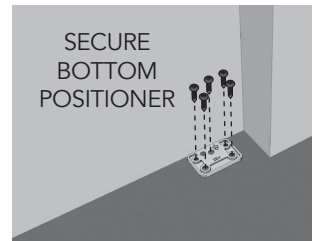


FIGURE 6.2



FIGURE 6.3

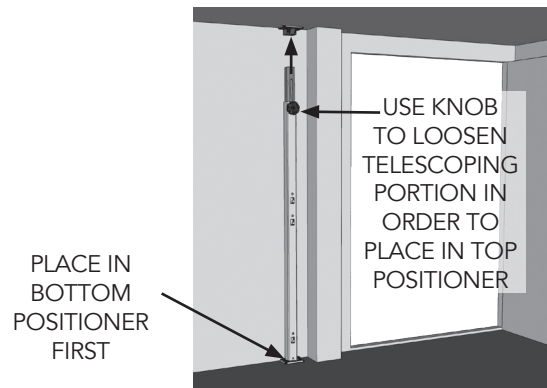


STEP 6

Secure the top and bottom telescoping shaft positioners to the cabinet using the positioner screws (See Figs 6.1, 6.2 and 6.3).



FIGURE 7



STEP 8

To hang the top shelf support from the telescoping shaft, use the hook that corresponds with the desired side bracket level (See Fig 8.1). Use the template from step 6 to punch holes corresponding with desired tray height (See Fig 8.2). Secure the side bracket to the cabinet side wall with side bracket screws (See Fig 8.3).



FIGURE 8.1

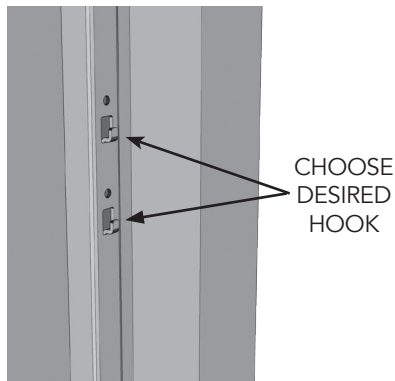
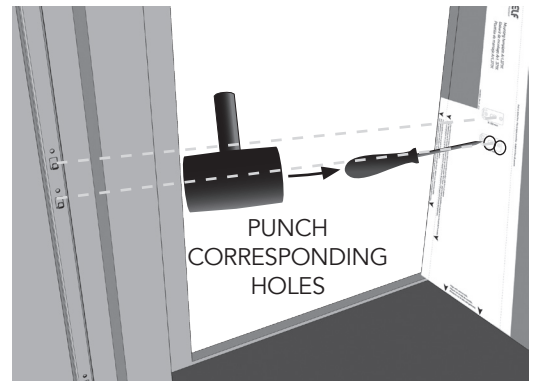


FIGURE 8.2



STEP 9

Place the support arm template from step 2 on top of the side bracket as shown in figure 9. This will give you the punch locations for the support arm belonging to the upper tray. Punch your holes using an awl and rubber mallet.



FIGURE 8.3

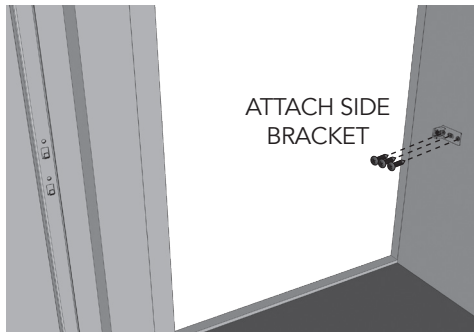
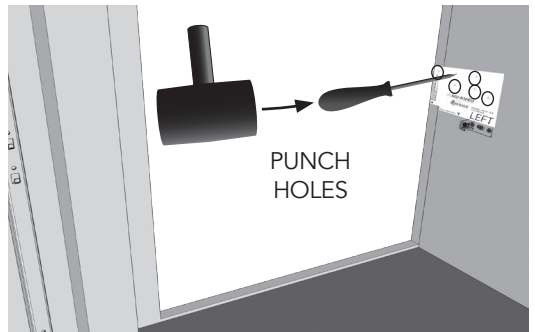


FIGURE 9



STEP 10

Using the provided support arm screws, secure the upper and lower support arms to the cabinet side wall (See Figs 10.1 and 10.2). At this time, insert the plastic caps into the support arms as shown.



FIGURE 10.1

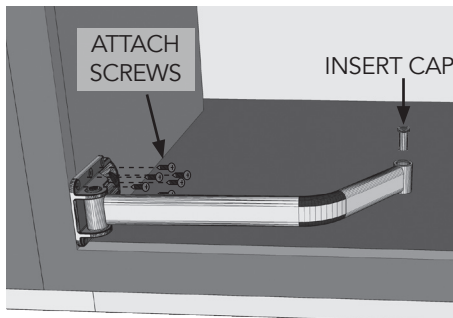
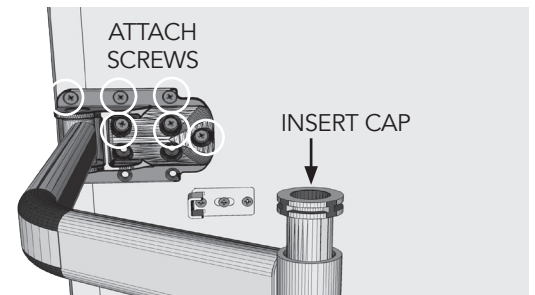


FIGURE 10.2

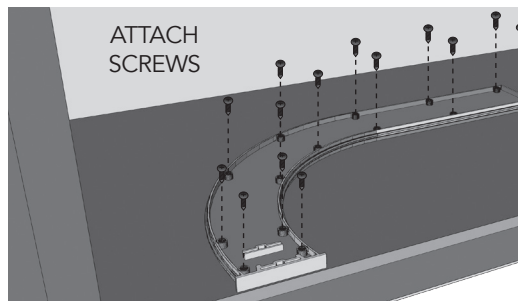


STEP 11

Secure the guide track to the cabinet floor using the guide track wood screws (See Fig 11).



FIGURE 11



STEP 12

Secure the top shelf hardware to the side bracket (See Fig 12.1). Secure to the cabinet wall using the provided pivot screw (See Fig 12.2).



FIGURE 12.1

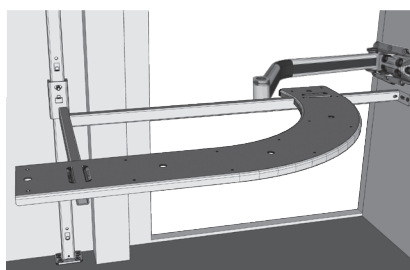
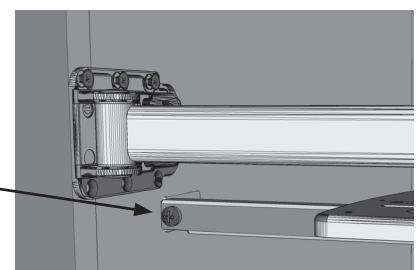


FIGURE 12.2



STEP 13

Using the guide track machine screws, secure the guide track to the top shelf hardware as shown in Figure 13.



OR

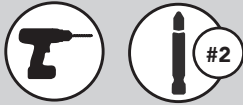


FIGURE 13

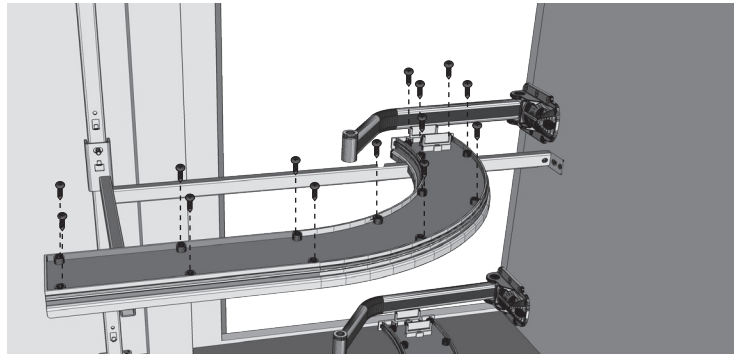
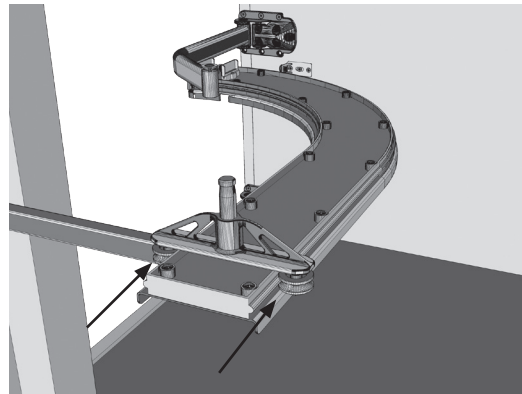


FIGURE 14

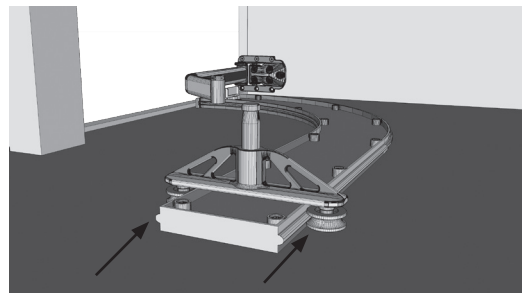


STEP 14

Slide the pivot guide onto the lower upper guide track (See Fig 14).

SLIDE ON
FROM REAR
OF TRACK

FIGURE 15



STEP 15

Slide the pivot guide onto the lower guide track (See Fig 15).

SLIDE ON
FROM REAR
OF TRACK

STOP

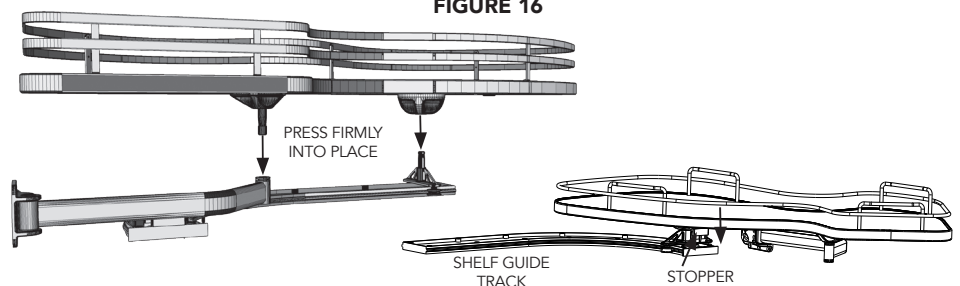
IF YOU INTEND TO INSTALL THE SOFT-CLOSE KIT, TURN TO PAGE 10 AT THIS TIME. OTHERWISE, PROCEED TO STEP 16 AND CONTINUE YOUR INSTALLATION.

STOP

STEP 16

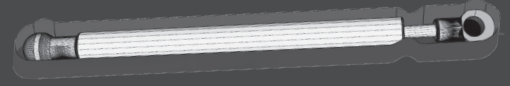
Align the top tray over the top of the pivot guide and support arm (See Fig 16). Insert the tray into the corresponding attachments and press firmly into place. Repeat for the top tray. Snap the plastic tray stop into the shelf guide track. Your installation is now complete.

FIGURE 16



IMPORTANT NOTE:

DO NOT REMOVE SOFT-CLOSE PISTON FROM ITS RED CASE UNTIL THE PISTON IS ATTACHED TO BOTH THE CLOUD TRAY AND THE SUPPORT ARM!



INSTALLING THE SOFT-CLOSE KIT

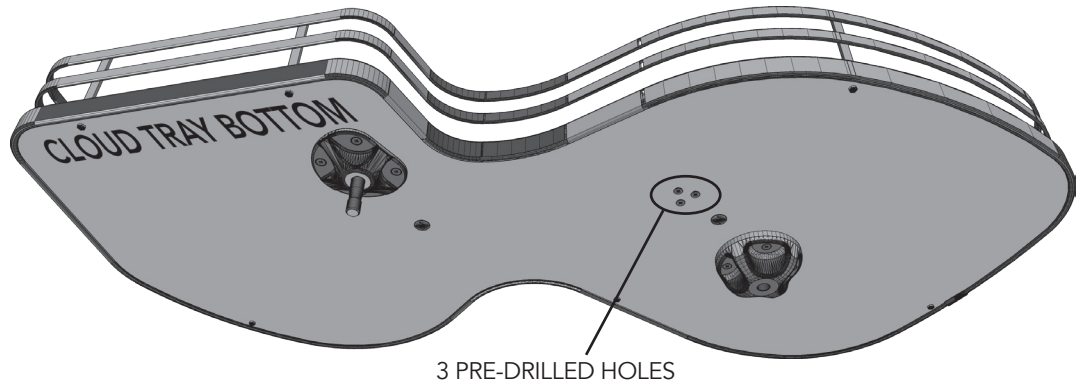
STEP 1

Turn over the tray and locate the 3 pre-drilled holes. Using the ball stud screws, attach the soft-close tray ball stud to the bottom of the tray, utilizing the aforementioned 3 holes (See Figures 1.1 and 1.2).

NOTE: For 2-tray systems, you will repeat each step for every tray.

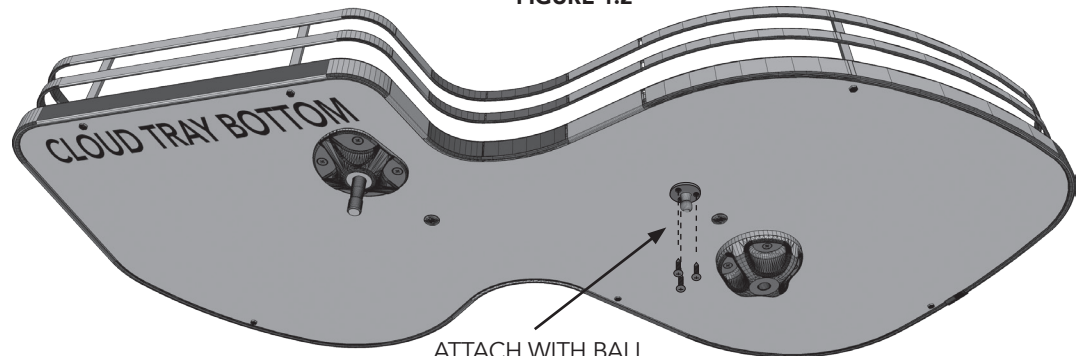


FIGURE 1.1



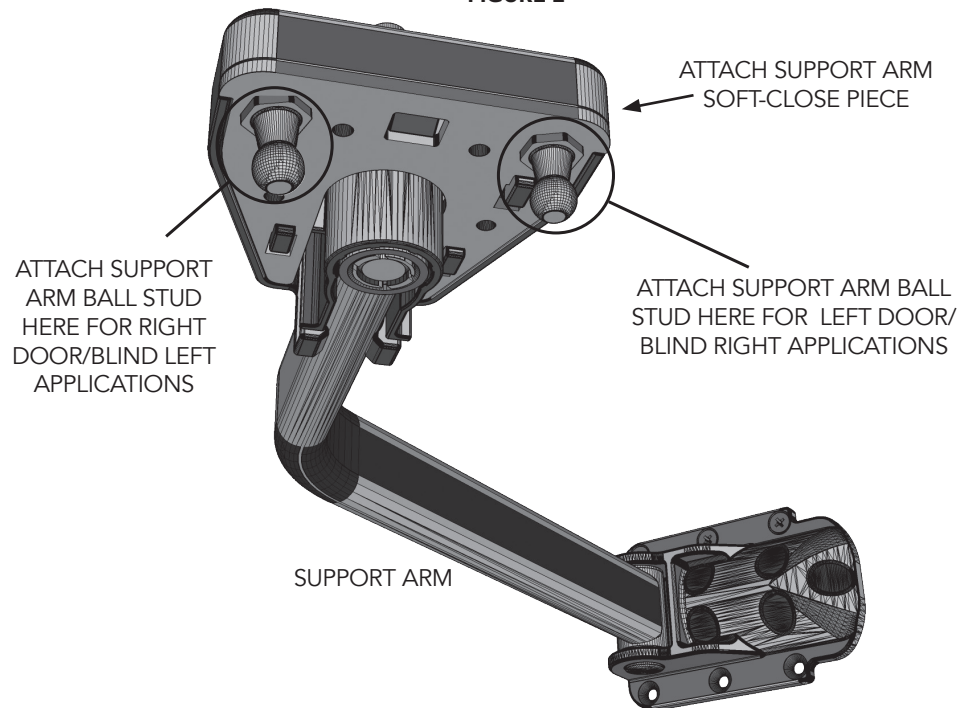
3 PRE-DRILLED HOLES

FIGURE 1.2



ATTACH WITH BALL STUD SCREWS

FIGURE 2



ATTACH SUPPORT ARM SOFT-CLOSE PIECE

ATTACH SUPPORT ARM BALL STUD HERE FOR RIGHT DOOR/BLIND LEFT APPLICATIONS

ATTACH SUPPORT ARM BALL STUD HERE FOR LEFT DOOR/BLIND RIGHT APPLICATIONS

SUPPORT ARM

STEP 2

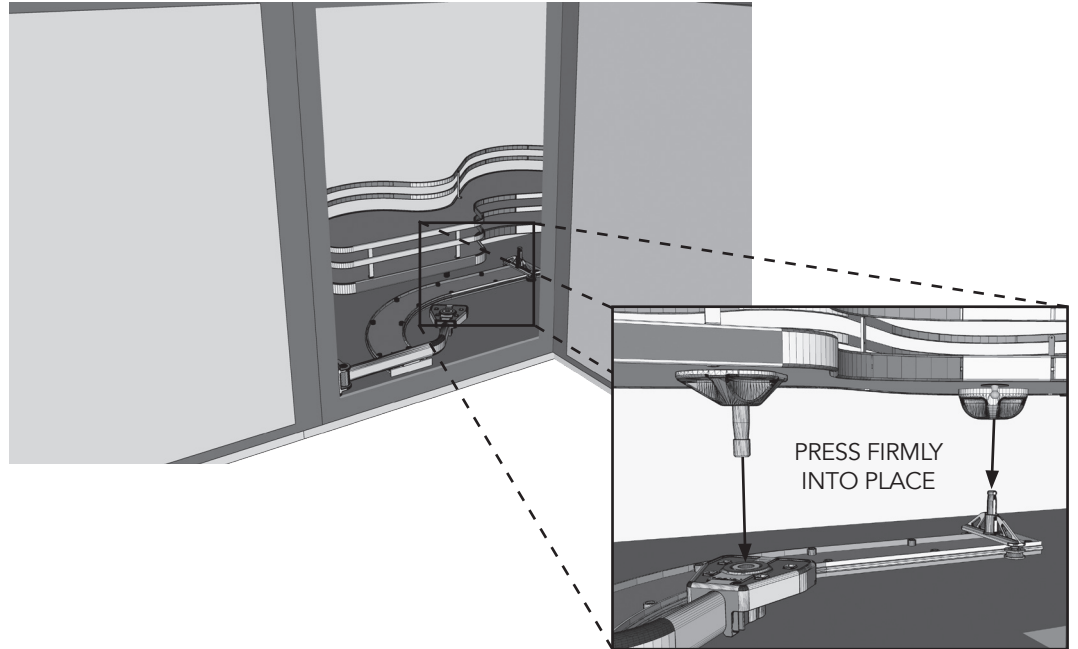
Attach the Support Arm Soft-Close Piece on the support arm. Identify the support arm ball stud attachment location on the support arm soft-close mechanism and attach the support arm ball stud (See Figure 2).



STEP 3

Align the tray over the top of the pivot guide and support arm. Insert the tray into the corresponding attachments and press firmly into place (See Figure 3).

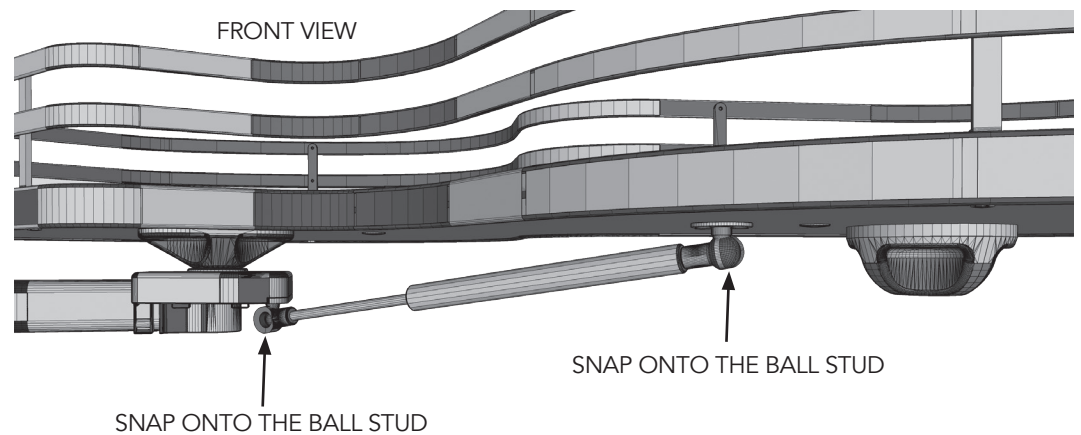
FIGURE 3



STEP 4

For the orientation of how the piston is turned in order to attach. Ensure the thin black portion of the piston is facing toward the cabinet opening (See Figure 4).

FIGURE 4



STEP 5

Snap the piston onto the ball studs (See Figure 4). The tray will need to be approximately halfway in the open position when attaching.

STEP 6

Once the piston has been attached, open and close the unit a few times to ensure it works properly. At this time, the red piston case should detach automatically.

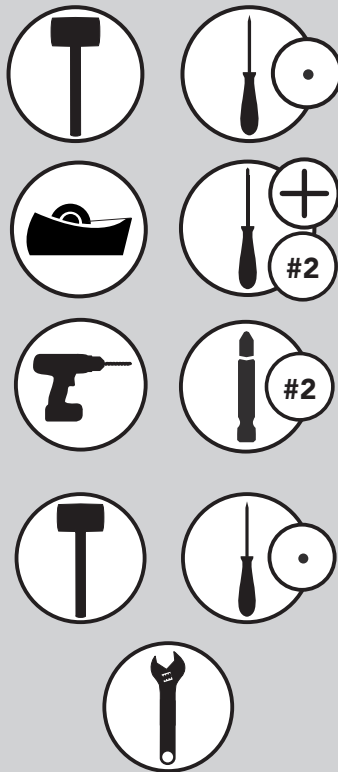


12400 Earl Jones Way
Louisville, KY 40299
rev-a-shelf.com
Customer Service: 800-626-1126

INSTRUCCIONES DE INSTALACIÓN/INSTRUCTION D'INSTALLATION

"THE CLOUD": ORGANIZADOR DE ESQUINA CIEGA LE CLOUD/NUAGE: ORGANISATEUR POUR COIN MORT

HERRAMIENTAS REQUERIDAS OUTILS REQUIS



TIEMPO ESTIMADO DE ENSAMBLE TEMPS D'ASSEMBLAGE ESTIMÉ

APLICACIÓN DE BANDEJA SENCILLA
APPLICATION AVEC PLATEAU SIMPLE

30 MIN

APLICACIÓN DE BANDEJA DOBLE
APPLICATION AVEC PLATEAU DOUBLE

60 MIN

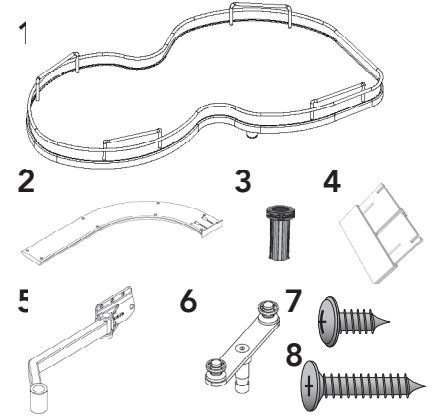
CUIDADO Y MANTENIMIENTO ENTRETIEN

Limpie con un paño húmedo y seque las partes.

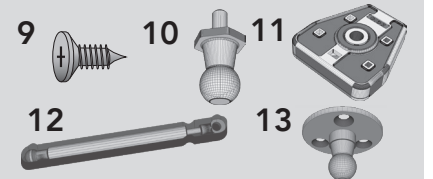
Nettoyez les pièces avec un chiffon humide et séchez-les complètement.



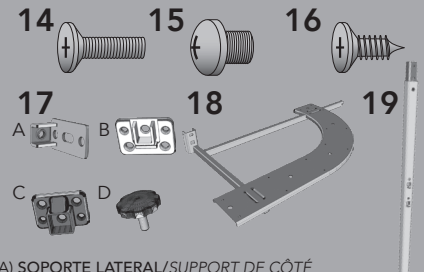
Lista de Partes/Liste des Pièces		Un Nivel Un Niveau	2 Niveles 2 Niveaux
#	Descripción/Description	Qty	Qty
1	Bandeja "Cloud"/Plateau Cloud/Nuage	1	2
2	Riel Guía/Rail de Guidage	1	2
3	Brazo de soporte con clip de plástico Bras de support du clip en plastique	1	2
4	Tapón de bandeja de plástico Bouchon en plastique	2	4
5	Brazo de soporte/Bras de support	1	2
6	Guía Pivote/Guide du Pivot	1	2
7	Tornillos Para Soporte del Brazo Vis du Bras de Support	6	12
8	Tornillos de Máquina de Riel Guía Vis à Bois du Rail de Guidage	14	14
9	Tornillos de Bola para Cierre Suave Vis à Tête Ronde de fermeture en douceur	3	6
10	Brazo de Soporte con Tornillo de Bola Goujon du Bras de Support	1	2
11	Pieza del Brazo de Soporte de Cierre Suave Pièce du Bras de Support pour la Fermeture en Douceur	1	2
12	Pistón de Cierre Suave Piston à Fermeture en Douceur	1	2
13	Bandeja de Cierre Suave con Tornillo de Bola Goujon du Plateau à Fermeture en Douceur	1	2
14	Tornillos de Máquina de Riel Guía Vis Machine du Rail de Guidage	N/A	14
15	Tornillos Pivote de Soporte de la Repisa Superior Vis du Pivot de Support de l'Étagère du Haut	N/A	1
16	Tornillos de Posicionamiento y Soporte Lateral Support de Côté/Vis de Positionnement	N/A	17
17	2-Juegos de Herramientas de Niveles Ensemble de matériel 2 Niveaux	N/A	1
18	2-Soportes de Repisas Superiores de Niveles Support de l'Étagère du Haut à 2 Niveaux	N/A	1
19	Perno Telescópico/Arbre Téléscopique	N/A	1



PARTES 7-10 VIENEN CON CIERRE SUAVE CAJA DE HERRAMIENTAS (SE VENDE POR SEPARADO)
LES PIÈCES 7-10 VIENNENT AVEC LE BOÎTIER DE MATÉRIEL POUR FERMETURE EN DOUCEUR (VENDU SÉPARÉMENT)



PARTES 11-16 VIENEN SOLAMENTE CON VERSIÓN DE DOS NIVELES
PIÈCES 11-16 VIENNENT AVEC LA VERSION 2-NIVEAUX UNIQUEMENT



A) SOPORTE LATERAL/SUPPORT DE CÔTÉ
B) POSICIONADOR INFERIOR/POSITIONNEUR DU BAS
C) POSICIONADOR SUPERIOR/POSITIONNEUR DU HAUT
D) PERILLA DE AJUSTE DEL PERNO TELESCÓPICO
BOÛTON D'AJUSTEMENT DE L'ARBRE TÉLESCOPIQUE

NOTA:

ESTE PRODUCTO TIENE TRES CONFIGURACIONES QUE TIENEN REQUERIMIENTOS DE INSTALACIÓN SEPARADOS. DETERMINE EN DONDE INICIAR SUS INSTRUCCIONES ABAJO:

VERSIÓN DE NIVEL SENCILLO: INICIE EN LA PÁGINA 2

VERSIÓN DE NIVEL DOBLE: INICIE EN LA PÁGINA 4

VERSIÓN DE 2 NIVELES: INICIE EN LA PÁGINA 6

REMARQUE:

CE PRODUIT A 3 CONFIGURATIONS QUI ONT DES EXIGENCES DE MONTAGE DIFFÉRENTES. DÉTERMINEZ OÙ COMMENCER VOS INSTRUCTIONS CI-DESSOUS:

VERSION SIMPLE - COMMENCEZ À LA PAGE 2

VERSION DOUBLE À UN NIVEAU - COMMENCEZ À LA PAGE 4

VERSION À DEUX NIVEAUX - COMMENCEZ À LA PAGE 6

NOTA:

PARA APLICACIONES DE MARCOS GABINETE, USTED NECESITARÁ UNA PIEZA DE MADERA QUE SALGA DEL LADO DE LA PARED DEL GABINETE, HACIÉNDOLE QUE ESTE A NIVEL DE LA APERTURA DEL GABINETE PARA QUE EL SOPORTE DEL BRAZO PUEDA SER INSTALADO ADECUADAMENTE (DETALLES ADENTRO).

REMARQUE:

POUR LES APPLICATIONS AVEC ARMOIRES AVEC CADRAGE AVANT, VOUS AUREZ BESOIN D'UNE PIÈCE EN BOIS POUR LA PAROI LATÉRALE DE L'ARMOIRE, POUR QU'ELLE SOIT À RAS AVEC L'OUVERTURE D'ARMOIRE POUR QUE LE BRAS DE SUPPORT PUISSE ÊTRE INSTALLÉ CORRECTEMENT. (DÉTAILS À L'INTÉRIEUR)

INSTALACIÓN DE NIVEL SENCILLO "CLOUD"

INSTALLATION DU CLOUD/NUAGE À UN NIVEAU

PASO 1/ÉTAPE 1

El organizador de esquina ciega "The Cloud" puede ser usado para ambas aplicaciones ya sea de puerta izquierda/ciego derecho o puerta derecha/ciego izquierdo. Refiérase a la figura 1.1 para determinar la orientación de su gabinete. Las figuras en este folleto usan ejemplos de puerta izquierda/ciego derecho. Si usted está instalando en una aplicación de puerta derecha/ciego izquierdo, el reverso de las figuras en este folleto serán las correctas para su gabinete.

Si su gabinete es sin marco, proceda al paso 2. Si es un gabinete con marco, usted necesitará rebajar el lado de la pared a fin de que esté al nivel de la apertura del gabinete. Mida el ancho entre el lado de la pared y la apertura del gabinete para determinar qué tan gruesa debe estar la pieza de madera. La pieza necesita al menos tener 10" de profundidad a fin de que se acomode al soporte del brazo (ver la figura 1.2).

L'organisateur Cloud/Nuage pour coin mort peut être utilisé pour les applications avec porte gauche/côté mort droit ou porte droite/côté mort gauche. Reportez-vous à l'illustration 1.1 pour déterminer l'orientation de votre armoire. Les chiffres dans cette brochure utilisent des exemples de porte gauche/coin mort droit. Si vous installez dans une application porte droite/coin mort gauche, l'inverse des chiffres dans cette brochure sera vrai pour votre armoire.

Si votre armoire est sans cadre, passez à l'étape 2. S'il s'agit d'une armoire avec cadrage avant, vous aurez besoin de renforcer votre paroi latérale pour qu'elle soit à ras de l'ouverture de l'armoire. Mesurez la largeur entre la paroi latérale et l'ouverture de l'armoire pour déterminer l'épaisseur de votre pièce en bois. La pièce doit avoir au moins 25.4cm (10") de profondeur afin de pouvoir recevoir le bras de support (voir la figure 1.2).

PASO 2/ÉTAPE 2

Coloque la plantilla del soporte del brazo en contra de la pared lateral del gabinete lo más lejos posible del área ciega (ver figura 2). Siga las instrucciones en la plantilla para su colocación. Use cinta si es necesario para fijar la plantilla a la pared del gabinete mientras hace los orificios.

Placez le modèle du bras de support contre la paroi latérale de votre armoire la plus éloignée du coin mort (voir l'illustration 2). Suivez les instructions sur le modèle pour le placement. Utilisez du ruban adhésif si nécessaire pour fixer le modèle sur la paroi de l'armoire tout en perforant les trous.



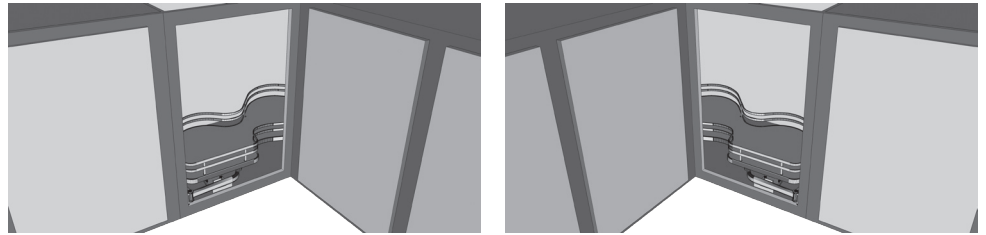
PASO 3/ÉTAPE 3

Usando una lezna y un mazo de goma, perforo orificios para asistir en el aseguramiento de los cierres. Quite la plantilla cuando termine (ver la figura 3).

Avec un poinçon et un maillet en caoutchouc, percez des trous pour aider à fixer vos attaches. Retirez le modèle une fois terminé (voir illustration 3).



FIGURA 1.1
ILLUSTRATION 1.1



PUERTA IZQUIERDA/CIEGO DERECHO
PORTE GAUCHE/COIN MORT DROIT

PUERTA DERECHA/ CIEGO IZQUIERDO
PORTE DROITE/COIN MORT GAUCHE

FIGURA 1.2
ILLUSTRATION 1.2

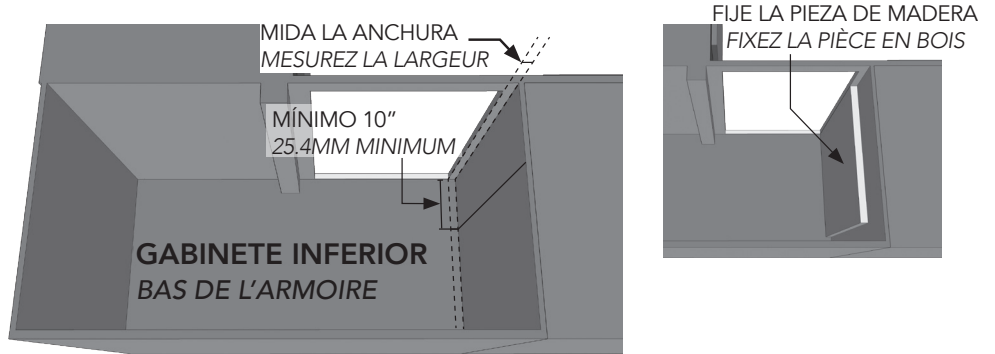


FIGURA 2
ILLUSTRATION 2

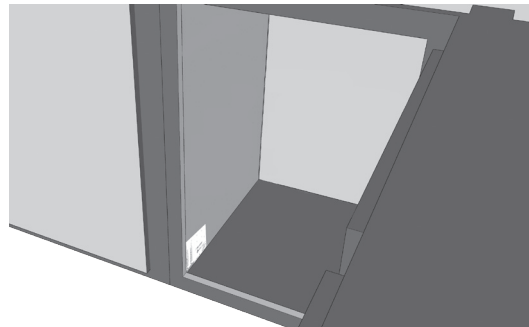
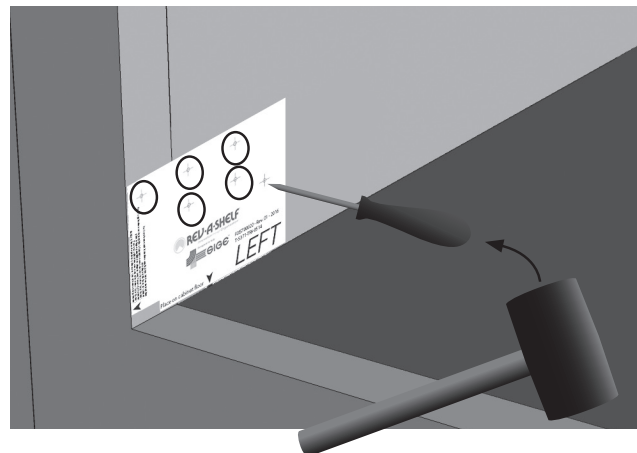


FIGURA 3
ILLUSTRATION 3



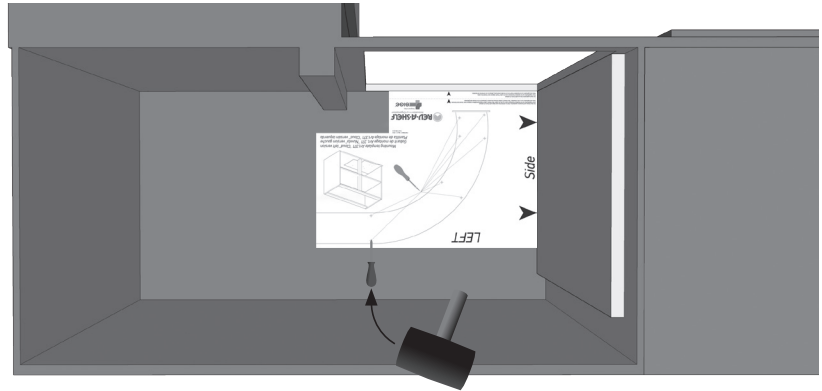
PASO 4/ÉTAPE 4

Coloque la plantilla del riel guía en el piso de su gabinete. Siga las instrucciones de la plantilla para orientar la plantilla correctamente. Asegure la plantilla al piso con cinta y perforo orificios piloto con la lezna y el mazo de goma (ver la figura 4).

Placez le modèle du rail de guidage sur le plancher de votre armoire. Suivez les instructions sur le modèle pour orienter le modèle correctement. Fixez le modèle sur le plancher avec du ruban adhésif et percez des trous pilote avec votre poinçon et maillet en caoutchouc (voir l'illustration 4).



FIGURA 4
ILLUSTRATION 4



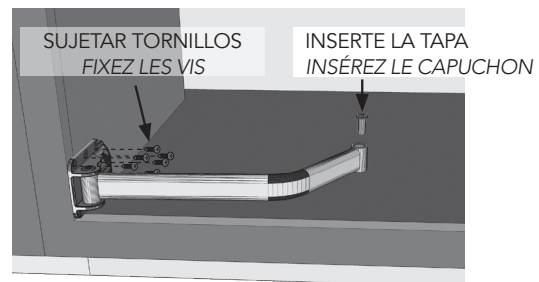
PASO 5/ÉTAPE 5

Usando los tornillos del soporte del brazo que se proveen, asegure el soporte del brazo a la pared lateral del gabinete (ver figura 5). En este momento, inserte la tapa de plástico al soporte del brazo como se muestra.

Avec les vis fournies du bras de support, fixez le bras de support à la paroi latérale de l'armoire (voir l'illustration 5). À ce moment, insérez le capuchon en plastique dans le bras de support comme indiqué.



FIGURA 5
ILLUSTRATION 5



PASO 6/ÉTAPE 6

Usando los tornillos de madera del riel guía que se provee, asegure la guía al piso del gabinete (ver figura 6).

Avec les vis à bois du rail de guidage fournies, fixez le rail de guidage au plancher de l'armoire (voir l'illustration 6).



FIGURA 6
ILLUSTRATION 6

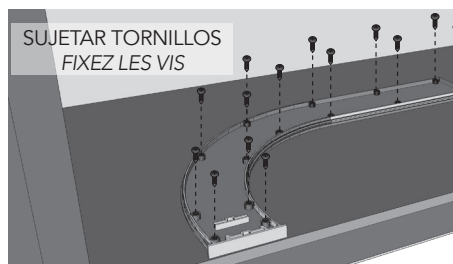
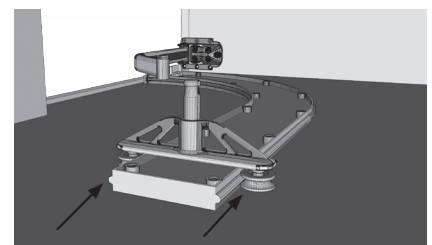


FIGURA 7
ILLUSTRATION 7



PASO 7/ÉTAPE 7

Deslice la guía del pivote dentro del riel guía (ver la figura 7).

Faites glisser le guide du pivot sur les rails de guidage (voir l'illustration 7).

PARE
ARRÊTEZ

SI USTED INTENTA INSTALAR EL KIT DE CIERRE SUAVE, VAYA A LA PÁGINA 10 EN ESTE MOMENTO. DE LO CONTRARIO, PROCEDA AL PASO 8 Y CONTINÚE SU INSTALACIÓN.
SI VOUS COMPTÉZ INSTALLER LE KIT FERMETURE EN DOUCEUR, PASEZ MAINTENANT À LA PAGE 10. AUTREMENT, PASEZ À L'ÉTAPE 8 ET CONTINUEZ VOTRE INSTALLATION.

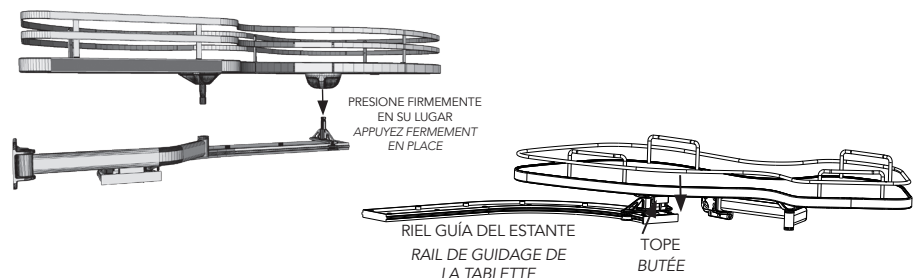
PARE
ARRÊTEZ

PASO 8/ÉTAPE 8

Alinee la bandeja sobre la parte superior de la guía del pivote y el brazo de soporte. Inserte la bandeja en los accesorios correspondientes y presiónela con firmeza en su lugar. Encaje el tope de plástico de la bandeja en el riel guía del estante (Ver Figura 8).

Aalignez le plateau sur le haut du guide de pivot et du bras de support. Insérez le plateau dans les fixations correspondantes et appuyez fermement. Encliquetez la butée en plastique du plateau dans le rail de guidage de la tablette (voir fig. 8).

FIGURA 8
ILLUSTRATION 8



INSTALACIÓN DE NIVEL INDIVIDUAL DOBLE INSTALLATION DOUBLE UN NIVEAU

PASO 1/ÉTAPE 1

El organizador de esquina ciega "The Cloud" puede ser usado para ambas aplicaciones ya sea de puerta izquierda/ciego derecho o puerta derecha/ciego izquierdo. Refiérase a la figura 1.1 para determinar la orientación de su gabinete. Las figuras en este folleto usan ejemplos de puerta izquierda/ciego derecho. Si usted está instalando en una aplicación de puerta derecha/ciego izquierdo, el reverso de las figuras en este folleto serán las correctas para su gabinete.

Si su gabinete es sin marco, proceda al paso 2. Si es un gabinete con marco, usted necesitará rebajar el lado de la pared a fin de que esté al nivel de la apertura del gabinete. Mida el ancho entre el lado de la pared y la apertura del gabinete para determinar qué tan gruesas deben estar las piezas de madera. Las piezas necesitan al menos tener 10" de profundidad a fin de que se acomoden a los soportes del brazo (ver la figura 1.2).

L'organisateur de coin mort Nuage/Cloud peut être utilisé pour les applications avec porte gauche/coin mort droit ou porte droite/coin mort gauche. Reportez-vous à la l'illustration 1.1 pour déterminer l'orientation de votre armoire. Les chiffres de cette brochure utilisent des exemples de porte gauche/coin mort droit. Si vous installez dans une application porte droite/coin mort gauche, l'inverse des chiffres de cette brochure sera correct pour votre armoire.

Si votre armoire est sans cadre, passez à l'étape 2. S'il s'agit d'une armoire avec cadrage avant, vous devrez renforcer votre paroi latérale sur les deux niveaux de votre armoire afin qu'elle soit à ras de l'ouverture de l'armoire. Mesurez la largeur entre la paroi latérale et l'ouverture de l'armoire pour déterminer l'épaisseur que vos pièces en bois doivent avoir. Les pièces doivent avoir au moins 25.4cm (10") de profondeur pour pouvoir recevoir les bras de support (voir la figure 1.2).

STEP 2

Coloque la plantilla del soporte del brazo en contra de la parte lateral de la pared de su gabinete, lo más lejos del área ciega (ver la figura 2). Siga las instrucciones de la plantilla para su colocación. Use cinta si es necesario para poner la plantilla a la pared del gabinete mientras perfora los orificios. Repita este paso para la repisa superior.

Placez le modèle du bras de support contre la paroi latérale de votre armoire la plus éloignée du coin mort (voir l'illustration 2). Suivez les instructions sur le modèle pour le placement. Utilisez du ruban adhésif si nécessaire pour fixer le modèle sur la paroi de l'armoire tout en perforant les trous. Répétez cette étape pour l'étagère du haut.



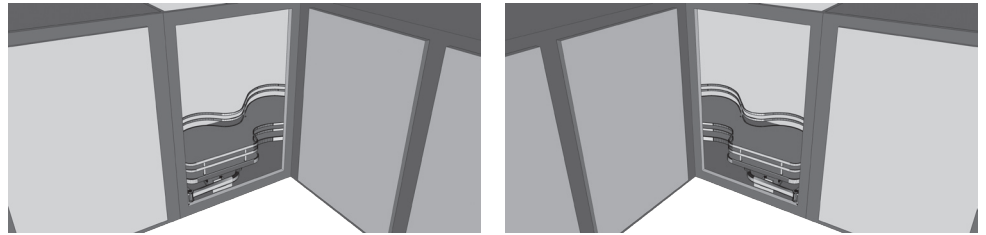
STEP 3

Usando una lezna y un mazo de goma, perfora orificios para asistir en la seguridad de los cierres. Quite la plantilla cuando haya terminado (ver la figura 3).

Avec un poinçon et un maillet en caoutchouc, percez des trous pour aider à fixer vos attaches. Retirez le modèle quand vous avez terminé (voir Fig. 3).



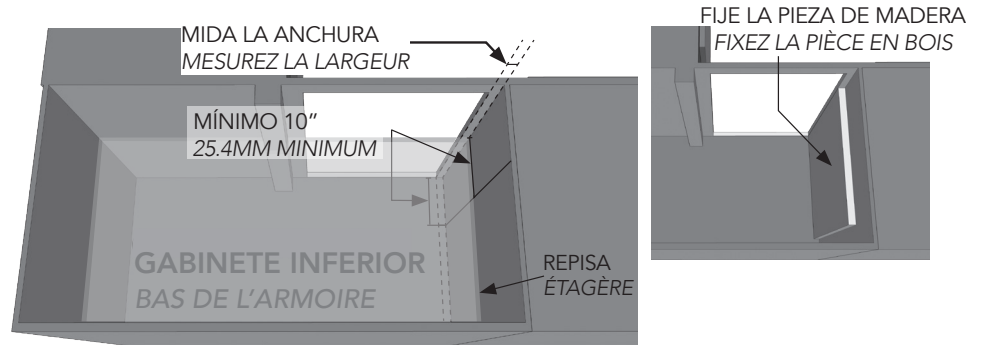
FIGURA 1.1
ILLUSTRATION 1.1



PUERTA IZQUIERDA/CIEGO DERECHO
PORTE GAUCHE/COIN MORT DROIT

PUERTA DERECHA/CIEGO IZQUIERDO
PORTE DROITE/COIN MORT GAUCHE

FIGURA 1.2
ILLUSTRATION 1.2



MIDA LA ANCHURA
MESUREZ LA LARGEUR

MÍNIMO 10"
25.4MM MINIMUM

GABINETE INFERIOR
BAS DE L'ARMOIRE

FIJE LA PIEZA DE MADERA
FIXEZ LA PIÈCE EN BOIS

REPISA
ÉTAGÈRE

FIGURA 2
ILLUSTRATION 2

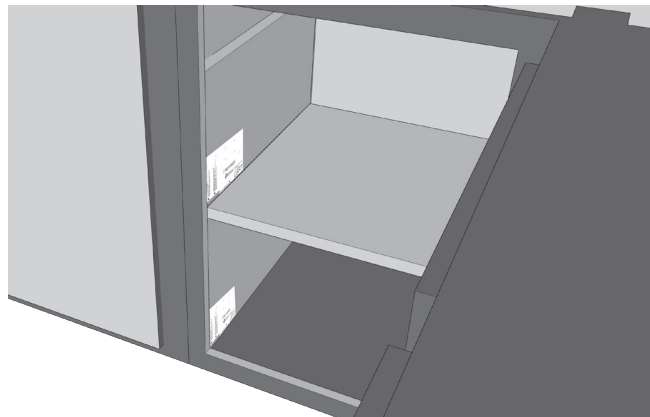
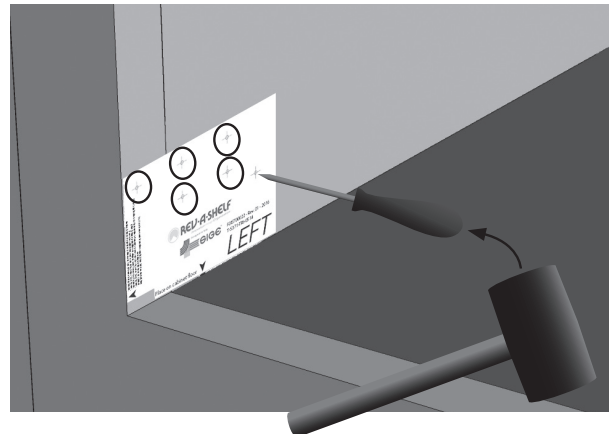


FIGURA 3
ILLUSTRATION 3



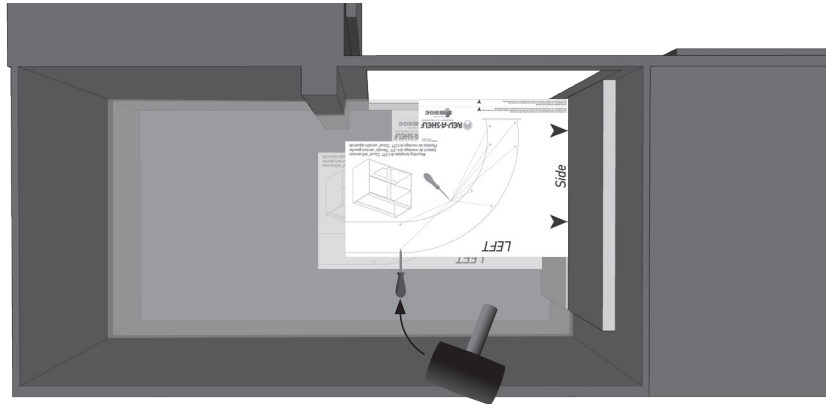
PASO 4/ÉTAPE 4

Coloque la plantilla del riel guía en el piso de su gabinete. Siga las instrucciones en la plantilla para orientarla correctamente. Asegure la plantilla al piso con cinta y perforo los orificios pilotos con la lezna y el mazo de goma (ver la figura 4). Repita este paso para la repisa en donde estará colocada la bandeja superior.

Placez le modèle du rail de guidage sur le plancher de votre armoire. Suivez les instructions sur le modèle pour orienter le modèle correctement. Fixez le modèle sur le plancher avec du ruban adhésif et percez des trous pilotes avec votre poinçon et maillet en caoutchouc (voir l'illustration 4). Répétez cette étape pour l'étagère où le plateau du haut ira.



FIGURA 4
ILLUSTRATION 4



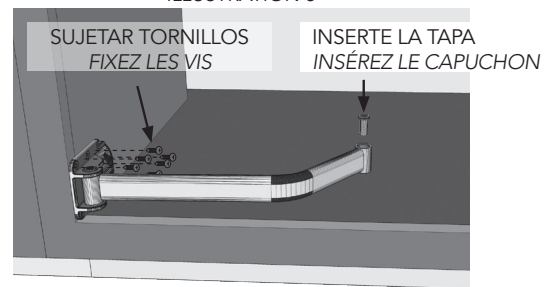
PASO 5/ÉTAPE 5

Usando los tornillos que se proveen para el soporte del brazo, asegure los soportes del brazo al lado de la pared del gabinete usando los orificios marcados como guía (ver la figura 5). En este momento, inserte la tapa de plástico dentro del soporte del brazo como se muestra.

Avec les vis du bras de support fournies, fixez les supports de bras à la paroi latérale de l'armoire avec vos trous perforés comme guide (voir l'illustration 5). À ce moment, insérez le capuchon en plastique dans le bras de support comme indiqué.



FIGURA 5
ILLUSTRATION 5



PASO 6/ÉTAPE 6

Usando los tornillos de madera del riel guía que se proveen, asegure la pista de guía al piso del gabinete y a la repisa (ver la figura 6).

Avec les vis à bois du rail de guidage fournies, fixez les rails de guidage au plancher et à l'étagère de l'armoire (voir l'illustration 6).



FIGURA 6
ILLUSTRATION 6

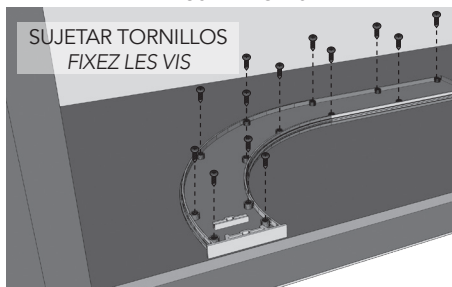
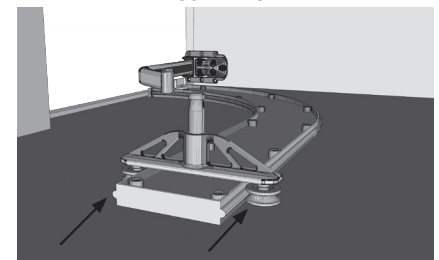


FIGURA 7
ILLUSTRATION 7



PASO 7/ÉTAPE 7

Deslice las guías pivote dentro del riel guía (ver la figura 7).

Faites glisser les guides de pivot sur les rails de guidage (voir l'illustration 7).

PARE
ARRÊTEZ

SI USTED INTENTA INSTALAR EL KIT DE CIERRE SUAVE, VAYA A LA PÁGINA 10 EN ESTE MOMENTO. DE LO CONTRARIO, PROCEDA AL PASO 8 Y CONTINÚE SU INSTALACIÓN.
SI VOUS COMPTÉZ INSTALLER LE KIT FERMETURE EN DOUCEUR, PASSEZ MAINTENANT À LA PAGE 10. AUTREMENT, PASSEZ À L'ÉTAPE 8 ET CONTINUEZ VOTRE INSTALLATION.

PARE
ARRÊTEZ

PASO 8/ÉTAPE 8

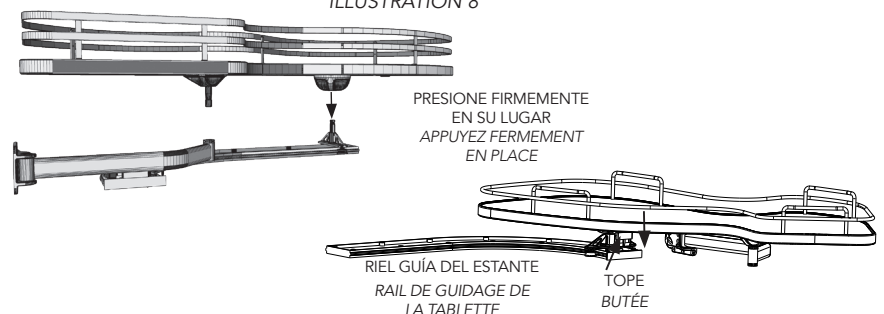
Alinee la bandeja sobre la parte superior de la guía del pivote y el brazo de soporte. Inserte la bandeja en los accesorios correspondientes y presiónela con firmeza en su lugar. Encaje el tope de plástico de la bandeja en el riel guía del estante.

NOTA: Repita los pasos 5-8 para la segunda bandeja.

Alignez le plateau sur le haut du guide de pivot et du bras de support. Insérez le plateau dans les fixations correspondantes et appuyez fermement. Encliquez la butée en plastique du plateau dans le rail de guidage de la tablette.

REMARQUE: Répétez les étapes 5-8 pour le deuxième plateau.

FIGURA 8
ILLUSTRATION 8



INSTALACIÓN DE DOS NIVELES "CLOUD" INSTALLATION DU NUAGES/ CLOUD À 2 NIVEAUX

PASO 1/ÉTAPE 1

El organizador de esquina ciega "The Cloud" puede ser usado para ambas aplicaciones ya sea de puerta izquierda/ciego derecho o puerta derecha/ciego izquierdo. Refiérase a la figura 1.1 para determinar la orientación de su gabinete. Las figuras en este folleto usan ejemplos de puerta izquierda/ciego derecho. Si usted está instalando en una aplicación de puerta derecha/ciego izquierdo, el reverso de las figuras en este folleto serán las correctas para su gabinete. Si su gabinete es sin marco, proceda al paso 2. Si es un gabinete con marco, usted necesitará rebajar el lado de la pared a fin de que esté al nivel de la apertura del gabinete. Mida el ancho entre el lado de la pared y la apertura del gabinete para determinar qué tan gruesa debe estar la pieza de madera. La pieza necesita al menos tener 10" de profundidad y 20" de altura a fin de que ambas se acomoden al soporte del brazo (ver la figura 1.2).

L'organisateur Cloud/Nuage pour coin mort peut être utilisé pour la porte gauche/ coin mort droit ou porte droite/coin mort gauche. Reportez-vous à l'illustration 1.1 pour déterminer l'orientation de votre armoire. Les chiffres de cette brochure utilisent des exemples de porte gauche/coin mort droit. Si vous installez dans une application porte droite/coin mort gauche, l'inverse des chiffres de cette brochure sera vrai pour votre armoire.

Si votre armoire est sans cadre, passez à l'étape 2. S'il s'agit d'une armoire avec cadrage avant, vous aurez besoin de renforcer votre paroi latérale afin qu'elle soit au ras de l'ouverture de l'armoire. Mesurez la largeur entre la paroi latérale et l'ouverture de l'armoire pour déterminer l'épaisseur de votre pièce en bois. La pièce doit avoir au moins 25.4cm (10") de profondeur, 50.8cm (20") de hauteur afin de recevoir les deux bras de support (voir l'illustration 1.2).

PASO 2/ÉTAPE 2

Coloque la plantilla del soporte del brazo en contra de la parte lateral de la pared de su gabinete, lo más lejos del área ciega (ver la figura 2). Siga las instrucciones de la plantilla para su colocación. Use cinta si es necesario para poner la plantilla a la pared del gabinete mientras perfora los orificios.

NOTA: Tenga esta plantilla a la mano, ya que la usará para la bandeja superior en el paso 9.

Placez le modèle du bras de support contre la paroi latérale de votre armoire la plus éloignée du coin mort (voir l'illustration 2). Suivez les instructions sur le modèle pour le placement. Utilisez du ruban adhésif si nécessaire pour fixer le modèle sur la paroi de l'armoire tout en perforant les trous.

REMARQUE: Gardez ce modèle à portée de main, car vous l'utiliserez pour le plateau du haut à l'étape 9.



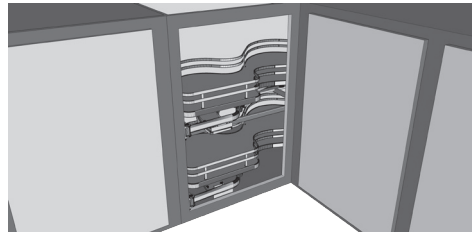
PASO 3/ÉTAPE 3

Usando una lezna y un mazo de goma, perforo orificios para asistir en la seguridad de los cierres. Quite la plantilla cuando haya terminado (ver la figura 3).

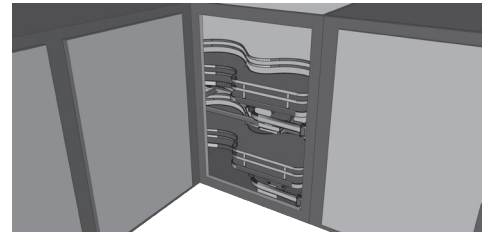
Avec un poinçon et un maillet en caoutchouc, percez des trous pour aider à fixer vos attaches. Retirez le modèle quand vous avez terminé (voir Fig. 3).



FIGURA 1.1
ILLUSTRATION 1.1

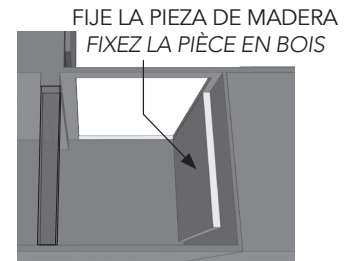
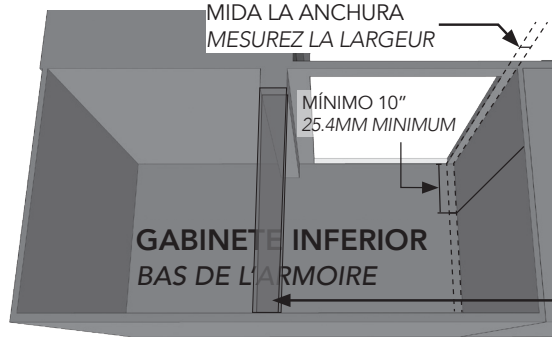


PUERTA IZQUIERDA/CIEGO DERECHO
PORTE GAUCHE/COIN MORT DROIT



PUERTA DERECHA/ CIEGO IZQUIERDO
PORTE DROITE/COIN MORT GAUCHE

FIGURA 1.2
ILLUSTRATION 1.2



NOTA: AGREGUE UNA PIEZA DE SOPORTE SI NO HAY MATERIAL DE MONTAJE O NA UBICACIÓN PARA UN EJE TELESCÓPICO (VER FIGURAS 6 & 7)

REMARQUE: MONTER UN MORCEAU DE BOIS S'IL N'Y A PAS DE MATÉRIEL DE MONTAGE UN EMPLACEMENT POUR UN ARBRE TÉLESCOPIQUE (VOIR L'ILLUSTRATIONS 6 & 7)

FIGURA 2
ILLUSTRATION 2

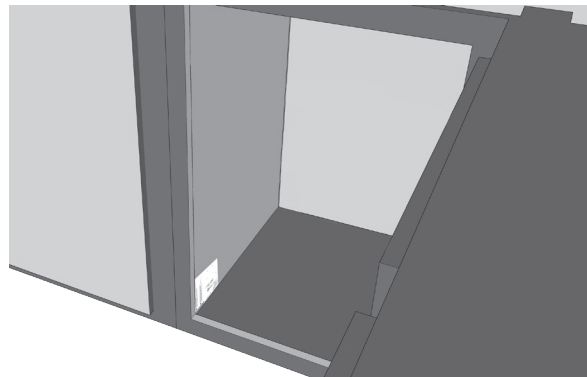
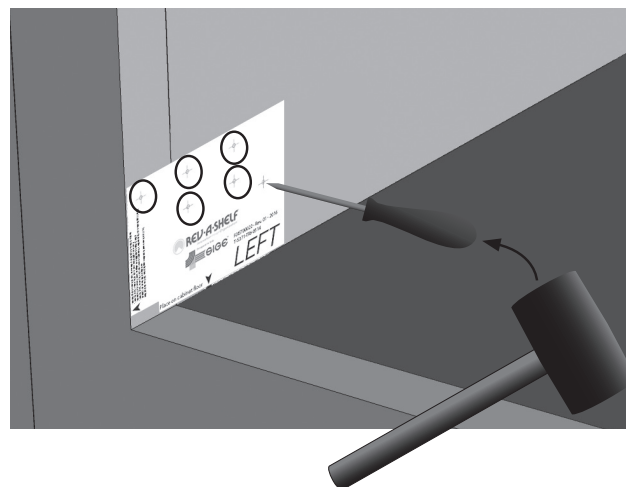


FIGURA 3
ILLUSTRATION 3



PASO 4/ÉTAPE 4

Coloque el riel guía en el piso de su gabinete. Siga las instrucciones en la plantilla para orientarla correctamente. Asegure la plantilla al piso con cinta y perforo orificios piloto con su lezna y el mazo de goma (ver la figura 4).
 Placez le modèle du rail de guidage sur le plancher de votre armoire. Suivez les instructions sur le modèle pour orienter le modèle correctement. Fixez le modèle sur le plancher avec du ruban adhésif et percez des trous pilotes avec votre poinçon et votre maillet en caoutchouc (voir l'illustration 4).



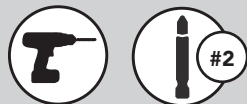
PASO 5/ÉTAPE 5

Quite el riel guía y reemplace con la plantilla del perno telescópico. Asegure en su lugar con cinta y perforo orificios para ubicación con la lezna y el mazo de goma (ver la figura 5.1). Voltee la plantilla boca abajo y repita para el techo del gabinete (ver la figura 5.2).
 Retirez le modèle du rail de guidage et remplacez-le avec le modèle de l'arbre télescopique. Fixez en place avec du ruban adhésif et percez vos emplacements de trou avec un poinçon et un maillet en caoutchouc (voir l'illustration 5.1). Tournez le modèle à l'envers, répétez pour le plafond de l'armoire (voir l'illustration 5.2).



PASO 6/ÉTAPE 6

Asegure las posiciones superiores e inferiores del perno telescópico al gabinete, usando los tornillos de posición (ver las figuras 6.1, 6.2 y 6.3).
 Fixez les positionneurs de l'arbre télescopique du haut et du bas à l'armoire avec les vis du positionneur (voir les illustrations 6.1, 6.2 et 6.3).



PASO 7/ÉTAPE 7

Primero sujete el perno telescópico la posición inferior, como se muestra en la figura 7. Ahora sujete el perno telescópico a la posición superior y utilice la manija de ajuste para sujetar y asegurar a la posición superior.
 Attachez d'abord l'arbre télescopique au positionneur du bas, comme le montre l'illustration 7. Maintenant, fixez l'arbre télescopique au positionneur du haut et utilisez le bouton de réglage pour fixer le positionneur du haut.

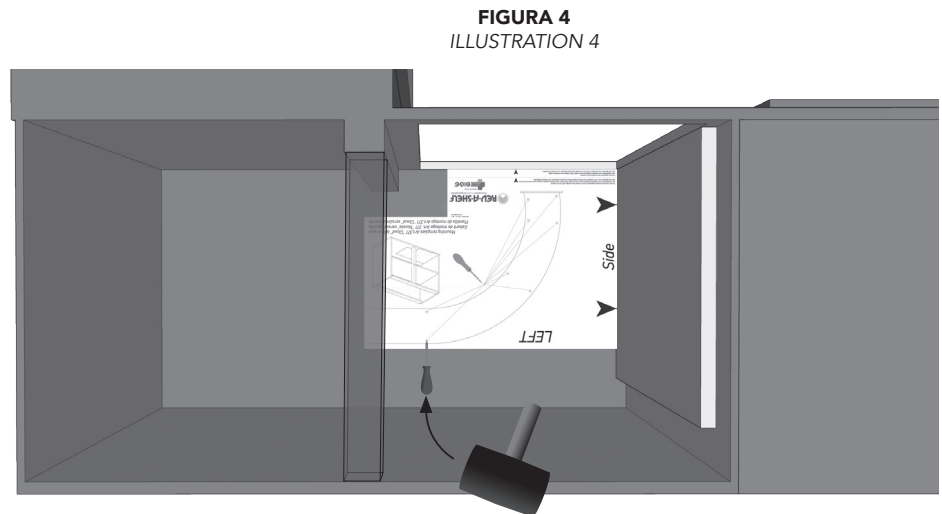


FIGURA 5.1
ILLUSTRATION 5.1



FIGURA 5.2
ILLUSTRATION 5.2

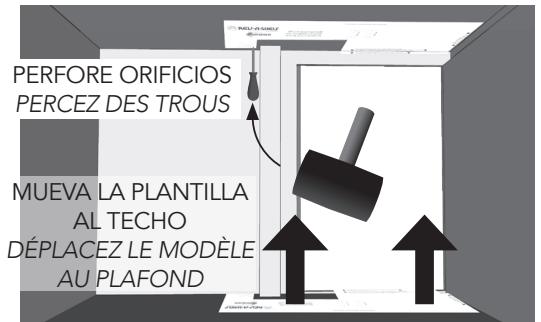


FIGURA 6.1
ILLUSTRATION 6.1



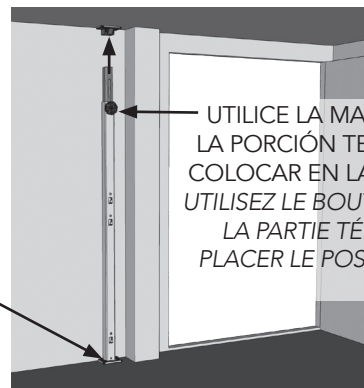
FIGURA 6.2
ILLUSTRATION 6.2



FIGURA 6.3
ILLUSTRATION 6.3



FIGURA 7
ILLUSTRATION 7



PRIMERO COLOQUE LA POSICIÓN INFERIOR
METTRE D'ABORD LE POSITIONNEUR DU BAS

PASO 8/ÉTAPE 8

Para colgar el soporte de la repisa superior del perno telescópico, use el gancho que corresponde con el nivel del lado el soporte deseado (ver la figura 8.1). Use la plantilla del paso 6 para perforar los orificios correspondientes con la altura deseada de la bandeja (ver la figura 8.2). Asegure el soporte lateral a la pared lateral del gabinete con los tornillos de soporte lateral (ver la figura 8.3).

Pour suspendre le support de l'étagère du haut de l'arbre télescopique, utilisez le crochet correspondant au niveau du support latéral souhaité (voir l'illustration 8.1). Utilisez le modèle de l'étape 6 pour percer les trous correspondant à la hauteur de plateau souhaitée (voir l'illustration 8.2). Fixez le support latéral à la paroi latérale de l'armoire avec les vis du support de côté (voir l'illustration 8.3).



PASO 9/ÉTAPE 9

Coloque la plantilla del brazo del soporte del paso 2 encima del soporte lateral como se muestra en la figura 9. Esto le dará las ubicaciones de las perforaciones para el soporte del brazo que pertenece a la bandeja superior. Perfore los orificios usando una lezna y un mazo de goma.

Placez le modèle du bras de support de l'étape 2 sur le dessus du support de côté comme le montre l'illustration 9. Cela vous donnera les emplacements de perforation pour le bras de support du plateau du haut. Percez vos trous avec un poinçon et un maillet en caoutchouc.



PASO 10/ÉTAPE 10

Usando los tornillos del soporte del brazo que se proveen, asegure los soportes de los brazos superior e inferior a la pared lateral del gabinete (ver las figuras 10.1 y 10.2). En este momento, inserte las tapas plásticas dentro de los brazos de soporte como se muestra.

Avec les vis du bras de support fournies, fixez les bras de support du haut et du bas à la paroi latérale de l'armoire (voir les illustrations 10.1 et 10.2). À ce moment, insérez les capuchons en plastique dans les bras de support comme illustré.



PASO 11/ÉTAPE 11

Asegure el riel guía al piso del gabinete usando los tornillos de madera del riel guía (ver la figura 11).
Fixez le rail de guidage au plancher de l'armoire avec les vis à bois du rail de guidage (voir l'illustration 11).



PASO 12/ÉTAPE 12

Asegure la herramienta de la repisa superior al soporte lateral (ver la figura 12.1). Asegure la pared del gabinete usando los tornillos pivote que se proveen (ver la figura 12.2).
Fixez le matériel de l'étagère du haut sur le support de côté (voir l'illustration 12.1). Fixez à la paroi de l'armoire avec la vis du pivot fournie (voir l'illustration 12.2).



FIGURA 8.1
ILLUSTRATION 8.1

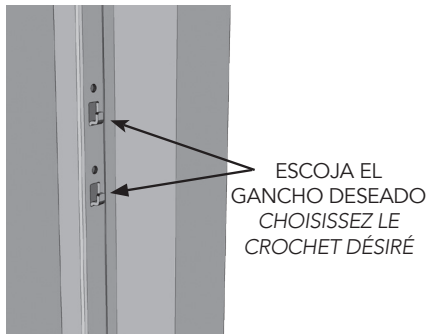


FIGURA 8.2
ILLUSTRATION 8.2

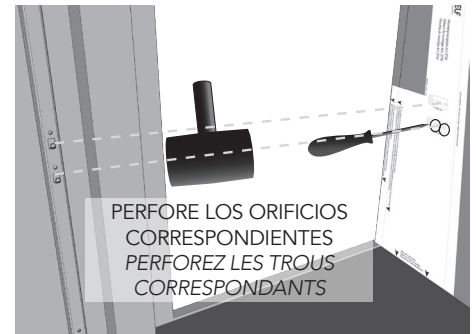


FIGURA 8.3
ILLUSTRATION 8.3



FIGURA 9
ILLUSTRATION 9

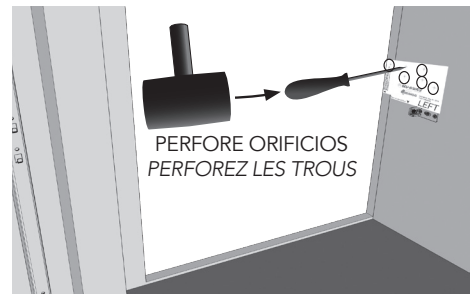


FIGURA 10.1
ILLUSTRATION 10.1

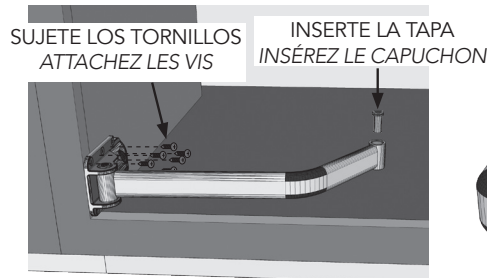


FIGURA 10.2
ILLUSTRATION 10.2

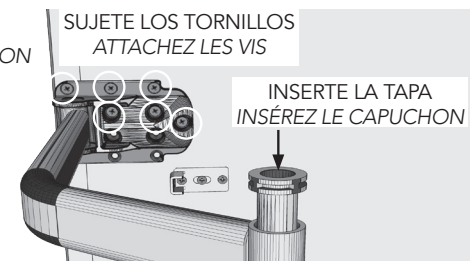


FIGURA 11
ILLUSTRATION 11

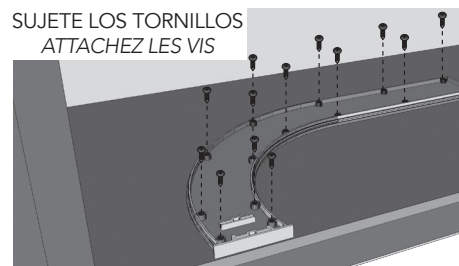


FIGURA 12.1
ILLUSTRATION 12.1

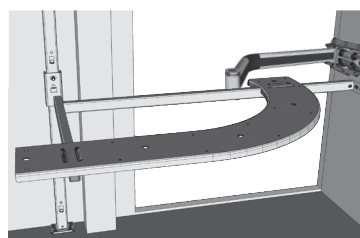
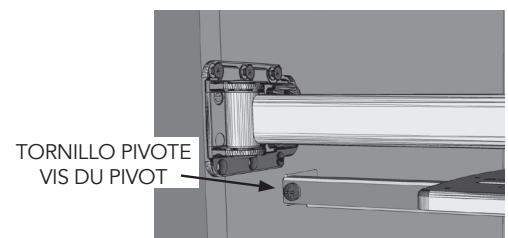


FIGURA 12.2
ILLUSTRATION 12.2



PASO13/ÉTAPE 13

Usando los tornillos de máquina del riel guía, asegure el riel guía a la herramienta superior de la repisa como se muestra en la figura 13.

Avec les vis machine du rail de guidage, fixez le rail de guidage au matériel de l'étagère du haut comme illustré sur l'illustration 13.

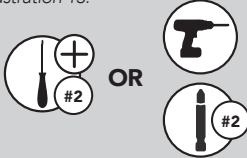


FIGURE 13

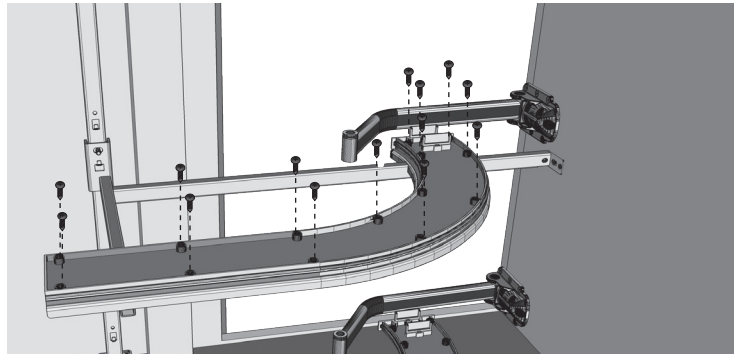


FIGURE 14

PASO14/ÉTAPE 14

Deslice la guía pivote dentro del guía superior bajo (ver la figura 14).

Faites glisser le guide du pivot sur le rail de guidage inférieur du haut (voir l'illustration 14)

DESILIZAR DESDE LA PARTE POSTERIOR DE LA GUÍA
GLISSER SUR L'ARRIÈRE DE LA VOIE DE GUIDAGE

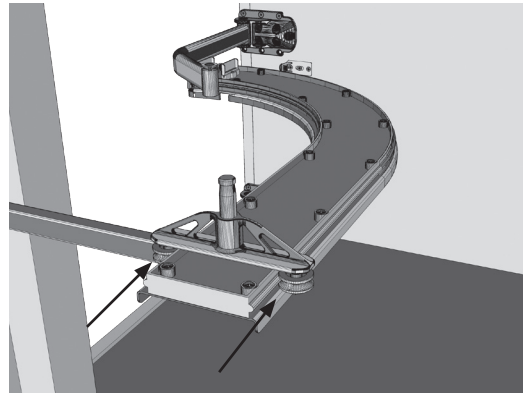
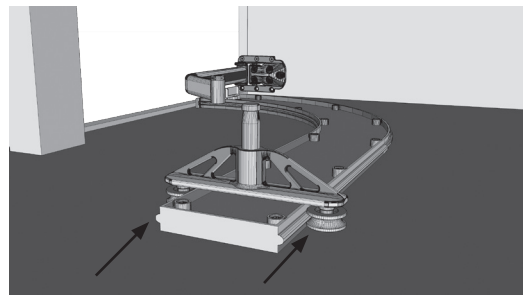


FIGURE 15

Deslice la guía pivote dentro de la guía de la pista inferior (ver la figura 15).

Faites glisser le guide du pivot sur le rail de guidage du bas (voir l'illustration 15).



DESILIZAR DESDE LA PARTE POSTERIOR DE LA GUÍA
GLISSER SUR L'ARRIÈRE DE LA VOIE DE GUIDAGE

PARE
ARRÊTEZ

SI USTED INTENTA INSTALAR EL KIT DE CIERRE SUAVE, VAYA A LA PÁGINA 10 EN ESTE MOMENTO. DE LO CONTRARIO, PROCEDA AL PASO 8 Y CONTINÚE SU INSTALACIÓN.

SI VOUS COMPTÉZ INSTALLER LE KIT FERMETURE EN DOUCEUR, PASSEZ MAINTENANT À LA PAGE 10. AUTREMENT, PASSEZ À L'ÉTAPE 8 ET CONTINUEZ VOTRE INSTALLATION.

PARE
ARRÊTEZ

PASO16/ÉTAPE 16

Alinee la parte superior de la bandeja sobre la parte superior de la guía del pivote y el brazo de soporte (Ver Figura 16). Inserte la bandeja en los accesorios correspondientes y presiónela con firmeza en su lugar. Repita la acción con la bandeja superior. Encaje el tope de plástico de la bandeja en el riel guía del estante. La instalación ya está completa.

Alignez le plateau supérieur sur le haut du guide de pivotement et du bras de support (voir fig. 16). Insérez le plateau dans les fixations correspondantes et appuyez fermement. Répétez l'opération pour le plateau supérieur. Encliquez la butée en plastique du plateau dans le rail de guidage de la tablette. Votre installation est maintenant terminée.

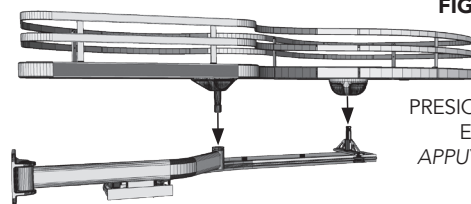
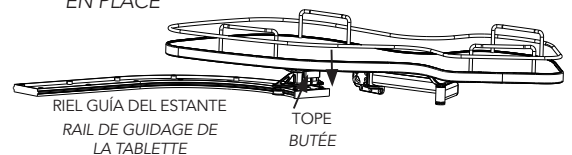


FIGURE 16

PRESIONE FIRMEMENTE EN SU LUGAR
APPUYEZ FERMEMENT EN PLACE

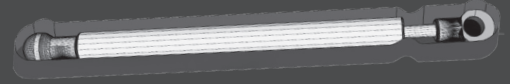


NOTA IMPORTANTE:

¡NO quite el pistón de cierre suave de su caja roja hasta que el pistón esté sujetado tanto a la bandeja "cloud" como al brazo del soporte!

NOTE IMPORTANTE:

NE retirez pas le piston à fermeture en douceur de son coffret rouge avant que le piston ne soit fixé au plateau cloud/nuage et au bras de support!



**INSTALANDO EL KIT DE CIERRE SUAVE
INSTALLER LE KIT FERMETURE EN DOUCEUR**

PASO 1/ÉTAPE 1

Voltee la bandeja y ubique los tres orificios pre taladrados. Usando tornillos de bola, sujételos a la bandeja de cierre suave a la parte inferior de la misma, utilizando los tres orificios antes mencionados (ver las figuras 1.1 y 1.2).

NOTA: Para sistemas de dos bandejas, usted repetirá cada paso por cada bandeja.

Retournez le plateau et trouvez les 3 trous pré-perçés. Avec les vis à tête ronde, fixez le goujon du plateau à fermeture en douceur sur le bas du plateau en utilisant les 3 trous mentionnés ci-dessus (voir les Illustrations 1.1 et 1.2).

REMARQUE: Pour les systèmes avec 2 plateaux, répétez chaque étape pour chaque plateau.



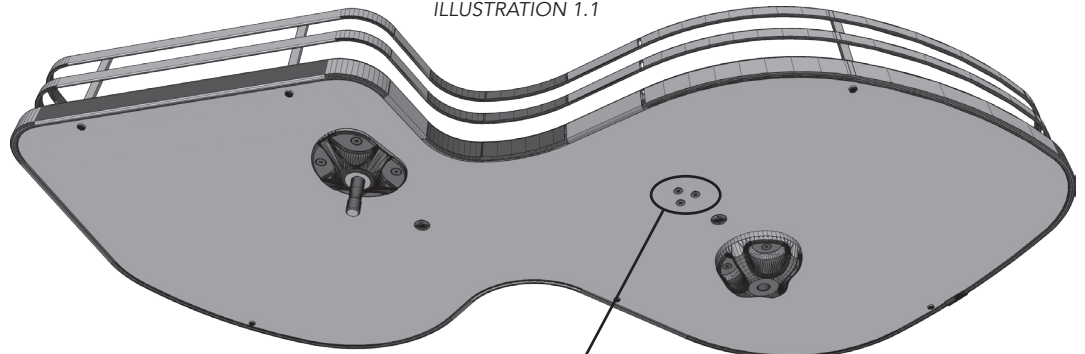
PASO 2/ÉTAPE 2

Sujete el brazo del soporte de la pieza de cierre suave en el brazo del soporte. Identifique la ubicación del accesorio del brazo de soporte de bola, en el brazo de soporte del mecanismo de cierre suave y sujete el brazo de soporte de bola (ver figura 2).

Fixez la pièce de fermeture en douceur du bras de support sur le bras de support. Identifiez l'emplacement de fixation du goujon du bras de support sur le mécanisme de fermeture en douceur du bras de support et fixez le goujon du bras de support (Voir l'illustration 2).

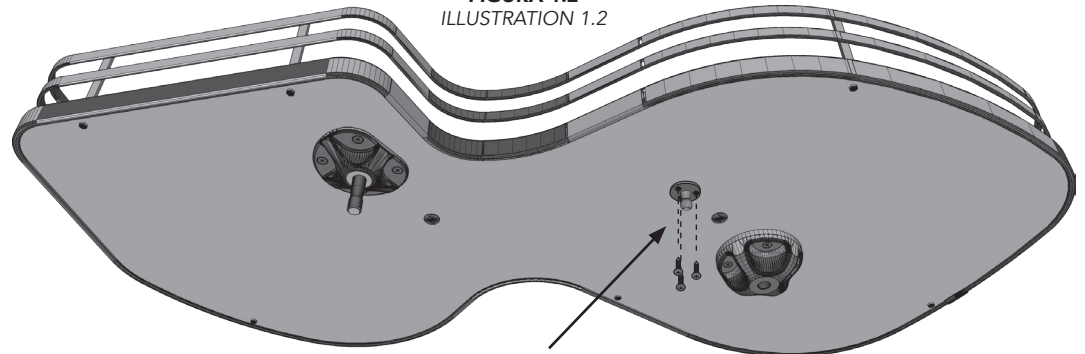


FIGURA 1.1
ILLUSTRATION 1.1



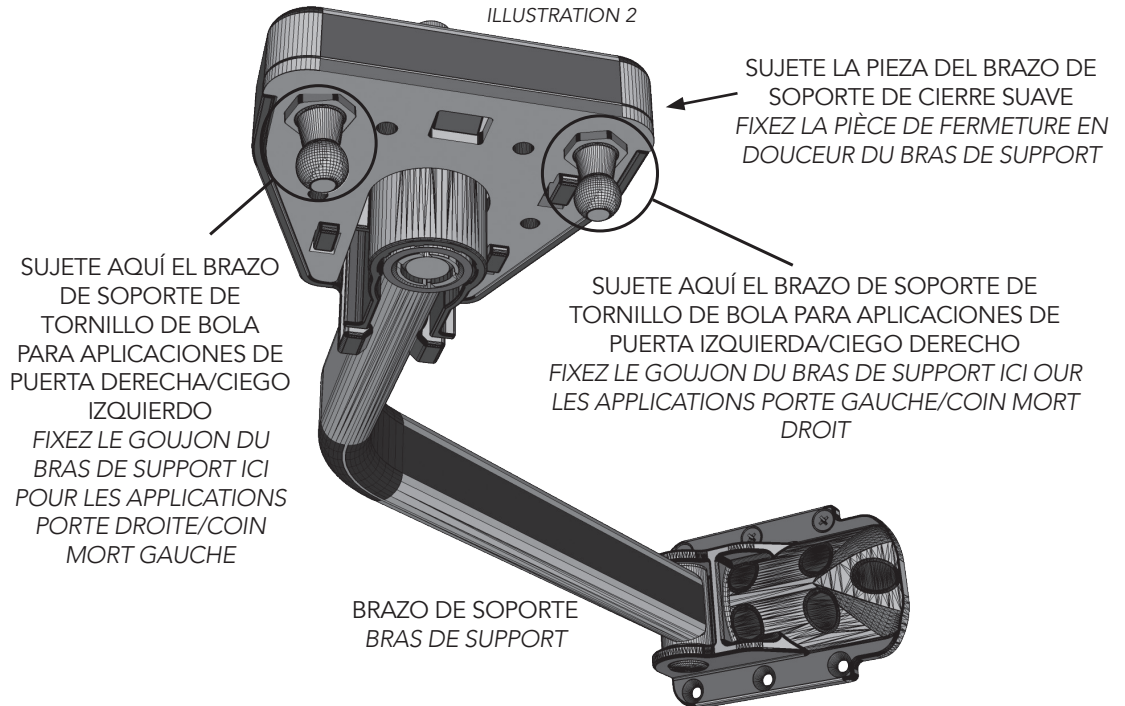
3 ORIFICIOS PRE TALADRADOS
3 TROUS PRÉ-FORÉS

FIGURA 1.2
ILLUSTRATION 1.2



SUJETE CON TORNILLOS DE BOLA
FIXEZ AVEC LES VIS À TÊTE RONDE

FIGURA 2
ILLUSTRATION 2



SUJETE LA PIEZA DEL BRAZO DE SOPORTE DE CIERRE SUAVE
FIXEZ LA PIÈCE DE FERMETURE EN DOUCEUR DU BRAS DE SUPPORT

SUJETE AQUÍ EL BRAZO DE SOPORTE DE TORNILLO DE BOLA PARA APLICACIONES DE PUERTA DERECHA/CIEGO IZQUIERDO
FIXEZ LE GOUJON DU BRAS DE SUPPORT ICI POUR LES APPLICATIONS PORTE DROITE/COIN MORT GAUCHE

SUJETE AQUÍ EL BRAZO DE SOPORTE DE TORNILLO DE BOLA PARA APLICACIONES DE PUERTA IZQUIERDA/CIEGO DERECHO
FIXEZ LE GOUJON DU BRAS DE SUPPORT ICI OUR LES APPLICATIONS PORTE GAUCHE/COIN MORT DROIT

BRAZO DE SOPORTE
BRAS DE SUPPORT

PASO 3/ÉTAPE 3

Alinee la bandeja encima de la guía de pivote y el brazo de soporte. Inserte la bandeja dentro de los accesorios correspondientes y presione firmemente en su lugar (ver la figura 3).
Alignez le plateau sur le haut du guide du pivot et du bras de support. Insérez le plateau dans les fixations correspondantes et appuyez fermement en place (voir l'illustration 3).

PASO 4/ÉTAPE 4

Para la orientación en cómo el pistón se voltea a fin de sujetar, asegure que la porción delgada negra del pistón esté viendo hacia el frente de la apertura del gabinete (ver la figura 4).
Pour l'orientation de la façon dont le piston est tourné afin de fixer. Assurez-vous que la partie noire mince du piston soit tournée vers l'ouverture de l'armoire (voir l'illustration 4).

PASO 5/ÉTAPE 5

Enganche el pistón dentro de los pernos de bola (ver la figura 4). La bandeja necesitará estar en su posición abierta aproximadamente a la mitad cuando se sujete.
Insérez le piston sur les goujons (voir l'illustration 4). Le plateau doit être approximativement à mi-chemin en position ouverte lors de la fixation.

PASO 6/ÉTAPE 6

Una vez que el pistón esté sujetado, abra y cierre la unidad pocas veces para asegurar que funciona adecuadamente. En este momento, la caja del pistón rojo debe soltarse automáticamente.
Quand le piston a été attaché, ouvrez et fermez l'unité quelques fois pour vous assurer qu'elle fonctionne correctement. A ce moment, le boîtier du piston rouge doit se détacher automatiquement.

FIGURA 3
ILLUSTRATION 3

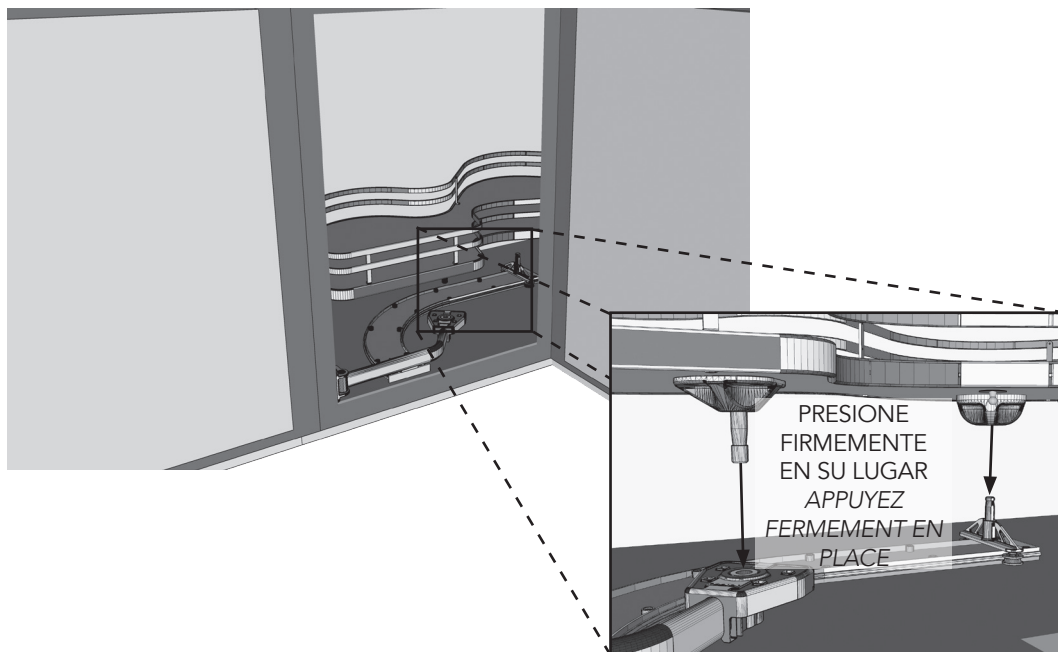
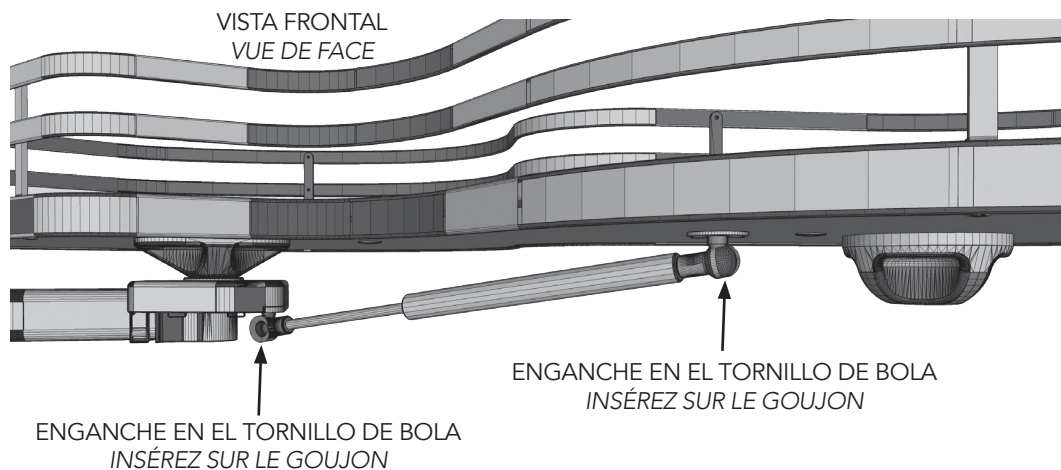


FIGURA 4
ILLUSTRATION 4





12400 Earl Jones Way
Louisville, KY 40299
rev-a-shelf.com
Customer Service: 800-626-1126