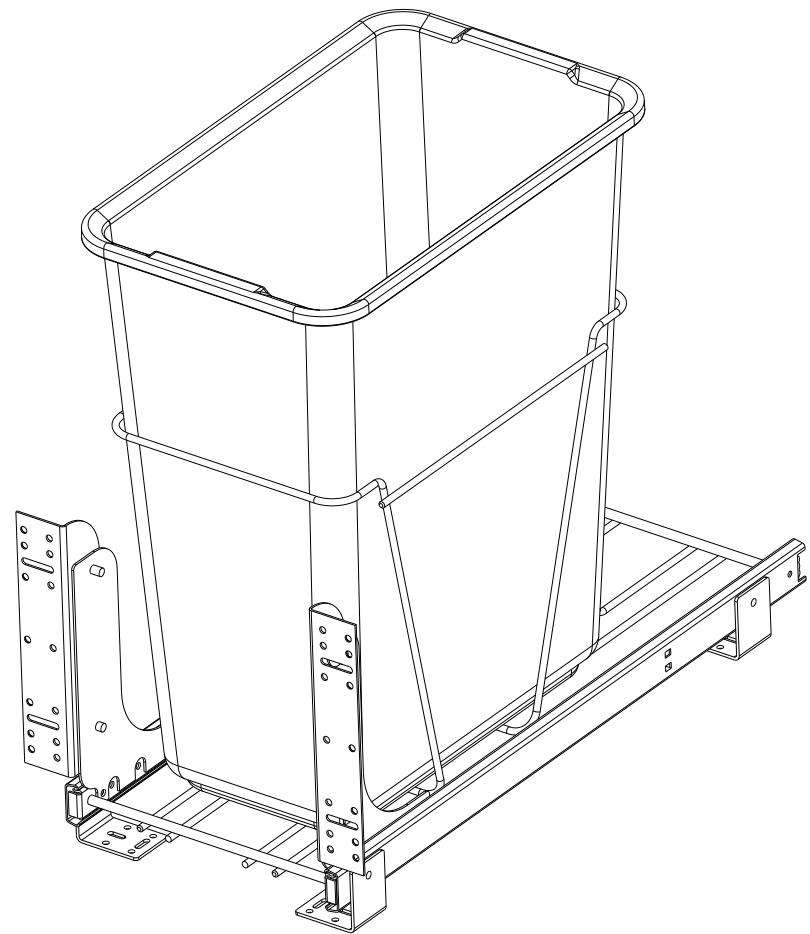


CUSTOMER DRAWING

This drawing is the property of Rev-A-Shelf (RAS) and is disclosed in confidence to the extent its subject matter is original to RAS. Any vendor receiving this drawing from RAS shall hold and use this drawing for the sole benefit of RAS and shall not disclose it to, or use or reproduce it for any third party, or perform any act adverse to the interest of RAS with respect to this drawing without the express written permission of RAS. Vendors shall not revise any physical, dimensional or performance characteristic unless authorized by Rev-A-Shelf Engineering.

REV.	DATE	BY	DESCRIPTION OF CHANGE

INCH [MM]	AMERICAN PROJECTION 	DRAWN	BY	DATE	REV-A-SHELF, INC.	
			LCS	6/13/22	SIZE B	SINGLE 30QT WIRE PULLOUT 3/4 EXTENSION
TOLERANCES		MATERIAL	DRAWING NO.		SCALE	
MAT.	DEC.		RV-9PB	0.188		
(WOOD)	.XX ±.03 [.8mm]	FINISH	PART NO.		SHEET OF	
(OTHER)	.XX ±.02 [.5mm]		RV-9PB	1	2	
(ALL)	.XXX ±.005 [.13 mm]					
FRACTIONS	±1/32 [.8 mm]					



PART DIMENSIONS	
WIDTH	9.53 [242]
DEPTH	22.31 [566,7]
HEIGHT	19.41 [493,1]
CONTAINER CAPACITY	30
CONTAINER UOM	QT

MIN CABINET OPENING				
	FACE FRAME	FRAMELESS	INSET FACE FRAME	INSET FRAMELESS
WIDTH	10.00 [254]	10.00 [254]	10.00 [254]	10.00 [254]
DEPTH	22.31 [566,7]	22.31 [566,7]	23.06 [585.8]	23.06 [585.8]
HEIGHT	19.66 [499,4]	19.66 [499,4]	19.66 [499,4]	19.66 [499,4]

SLIDE SPECIFICATIONS				
SLIDE MANUFACTURER	ACCURIDE	RELEASE PART NUMBER	N/A	
SLIDE PART NUMBER	34BB-22X	SLIDE EXTENSION	3/4 EXTENSION	MAX WEIGHT RATING
SLIDE TYPE	BALL BEARING	SLIDE LENGTH	22.00 [559,0]	
SLIDE CLOSING	N/A	SLIDE FINISH	WHITE E-COAT	100LB
SLIDE MOUNTING	BOTTOM			

CUSTOMER DRAWING

This drawing is the property of Rev-A-Shelf (RAS) and is disclosed in confidence to the extent its subject matter is original to RAS. Any vendor receiving this drawing from RAS shall hold and use this drawing for the sole benefit of RAS and shall not disclose it to, or use or reproduce it for any third party, or perform any act adverse to the interest of RAS with respect to this drawing without the express written permission of RAS. Vendors shall not revise any physical, dimensional or performance characteristic unless authorized by Rev-A-Shelf Engineering.

REV.	DATE	BY	DESCRIPTION OF CHANGE

INCH [MM]	AMERICAN PROJECTION	DRAWN	BY	DATE	REV-A-SHELF, INC.
			LCS	6/13/22	
			SIZE		SINGLE 30QT WIRE PULLOUT 3/4 EXTENSION
			DRAWING NO.		RV-9PB
			SCALE		0.188
			PART NO.		RV-9PB
			SHEET		2 OF 2
			FINISH		
			MATERIAL		
			TOLERANCES		
			ANGLES		±1/2°
			MAT. DEC.		
			(WOOD) .XX ±.03 [.8mm]		
			(OTHER) .XX ±.02 [.5mm]		
			(ALL) .XXX ±.005 [.13 mm]		
			FRACTIONS ±1/32 [.8 mm]		