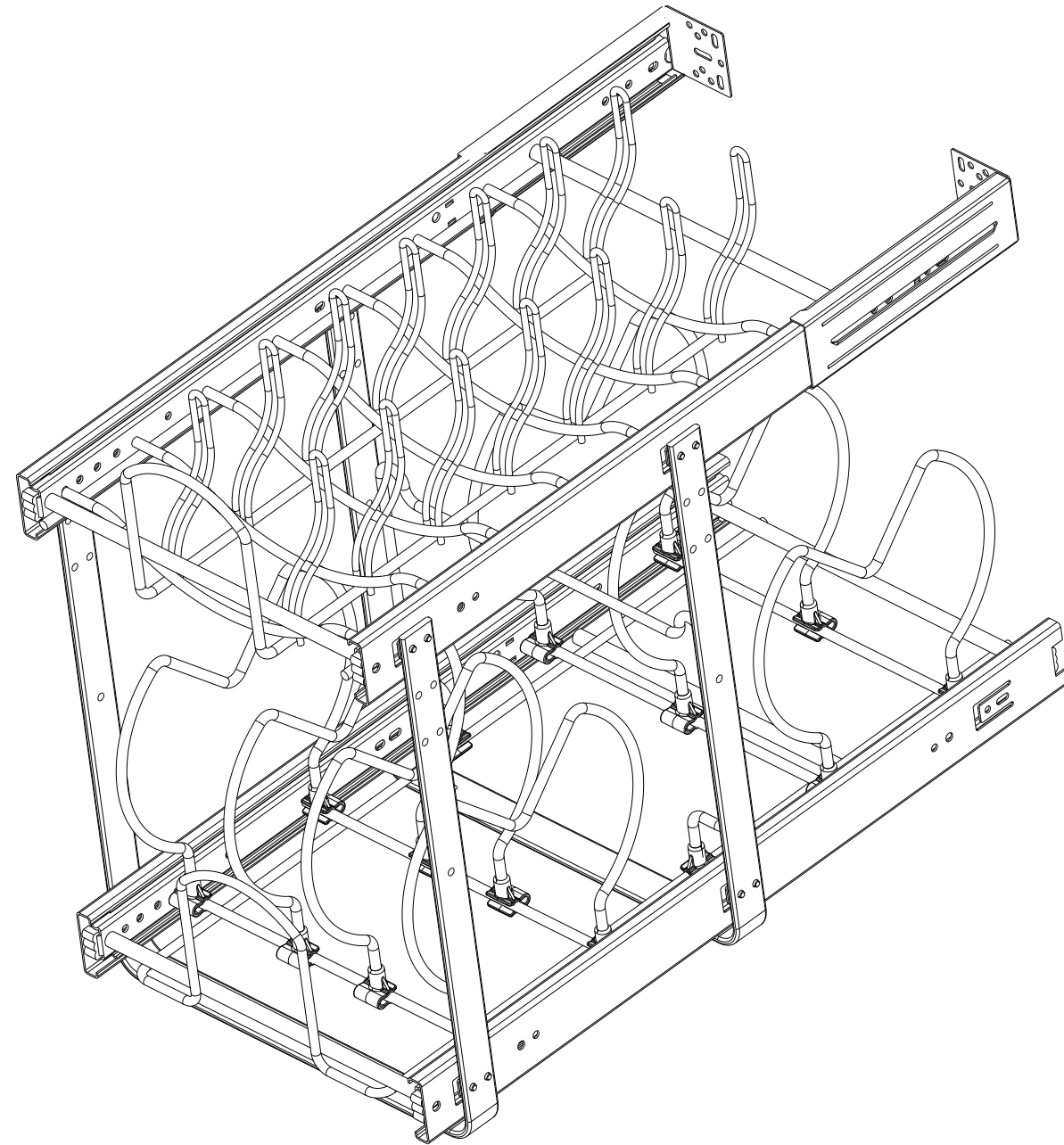


This drawing is the property of Rev-A-Shelf (RAS) and is disclosed in confidence to the extent its subject matter is original to RAS. Any vendor receiving this drawing from RAS shall hold and use this drawing for the sole benefit of RAS and shall not disclose it to, or use or reproduce it for any third party, or perform any act adverse to the interest of RAS with respect to this drawing without the express written permission of RAS. Vendors shall not revise any physical, dimensional or performance characteristic unless authorized by Rev-A-Shelf Engineering.

REV.	DATE	BY	DESCRIPTION OF CHANGE
H	3-12-19	KRR	ECN19-017
G	9-25-18	KRR	ECN18-056
F	12-01-14	KRR	ECN14-096
E	8-19-14	KRR	ECN14-067

INCH [MM]	AMERICAN PROJECTION		BY	DATE	<b>REV-A-SHELF, Inc.</b>
			BKT	6/16/08	
TOLERANCES MAT. DEC. (WOOD) .XX ±.03 [.8mm] (OTHER) .XX ±.02 [.5mm] (ALL) .XXX ±.005 [.13 mm] FRACTIONS ±1/32 [.8 mm]			MATERIAL	DRAWING NO.	SCALE
ANGLES ±1/2°			FINISH	CW1222-CUSTOMER	0.188
				PART NO.	SHEET OF
				CW1222	1 2

CUSTOMER DRAWING



PART DIMENSIONS		
	MIN	MAX
WIDTH	11.74 [298,2]	
DEPTH	22.00 [558,8]	24.00 [609,6]
HEIGHT	15.25 [387,4]	18.00 [457,2]

MIN CABINET OPENING				
	FACE FRAME	FRAMELESS	INSET FACE FRAME	INSET FRAMELESS
WIDTH	11.50 [292,1]	11.75 [298,5]	11.50 [292,1]	11.75 [298,5]
DEPTH	22.00 [558,8]	22.00 [558,8]	22.75 [577,9]	22.75 [577,9]
HEIGHT AT TOP HOLE *	22.00 [558,8]	22.00 [558,8]	22.00 [558,8]	22.00 [558,8]
HEIGHT AT LOWEST HOLE *	19.25 [489]	19.25 [489]	19.25 [489]	19.25 [489]

\* - TO ALLOW CLEARANCE FOR LIDS

SLIDE SPECIFICATIONS				
SLIDE TYPE	BALL BEARING	SLIDE EXTENSION	FULL EXTENSION	MAX WEIGHT RATING
SLIDE CLOSING	NORMAL	SLIDE LENGTH	21.65" [550]	
SLIDE MOUNTING	SIDE	SLIDE FINISH	ZINC	100LB

CUSTOMER DRAWING

This drawing is the property of Rev-A-Shelf (RAS) and is disclosed in confidence to the extent its subject matter is original to RAS. Any vendor receiving this drawing from RAS shall hold and use this drawing for the sole benefit of RAS and shall not disclose it to, or use or reproduce it for any third party, or perform any act adverse to the interest of RAS with respect to this drawing without the express written permission of RAS. Vendors shall not revise any physical, dimensional or performance characteristic unless authorized by Rev-A-Shelf Engineering.

H	3-12-19	KRR	ECN19-017
G	9-25-18	KRR	ECN18-056
F	12-01-14	KRR	ECN14-096
E	8-19-14	KRR	ECN14-067
REV.	DATE	BY	DESCRIPTION OF CHANGE

INCH [MM]	AMERICAN PROJECTION	DRAWN	BY	DATE	REV-A-SHELF, Inc.
			BKT	3/18/11	
			MATERIAL	DRAWING NO.	SCALE
			FINISH	CW1222-CUSTOMER	0.250
				PART NO.	SHEET OF
				CW1222	2 OF 2

TOLERANCES  
 MAT. DEC.  
 (WOOD) .XX ±.03 [.8mm]  
 (OTHER) .XX ±.02 [.5mm]  
 (ALL) .XXX ±.005 [.13 mm]  
 FRACTIONS ±1/32 [.8 mm]

ANGLES ±1/2°