

NOTES:
 1. RECOMMENDED SCREW SIZE INTO DOOR #6X 1/2"
 (PROVIDED BY RAS) QTY 4

CUSTOMER DRAWING

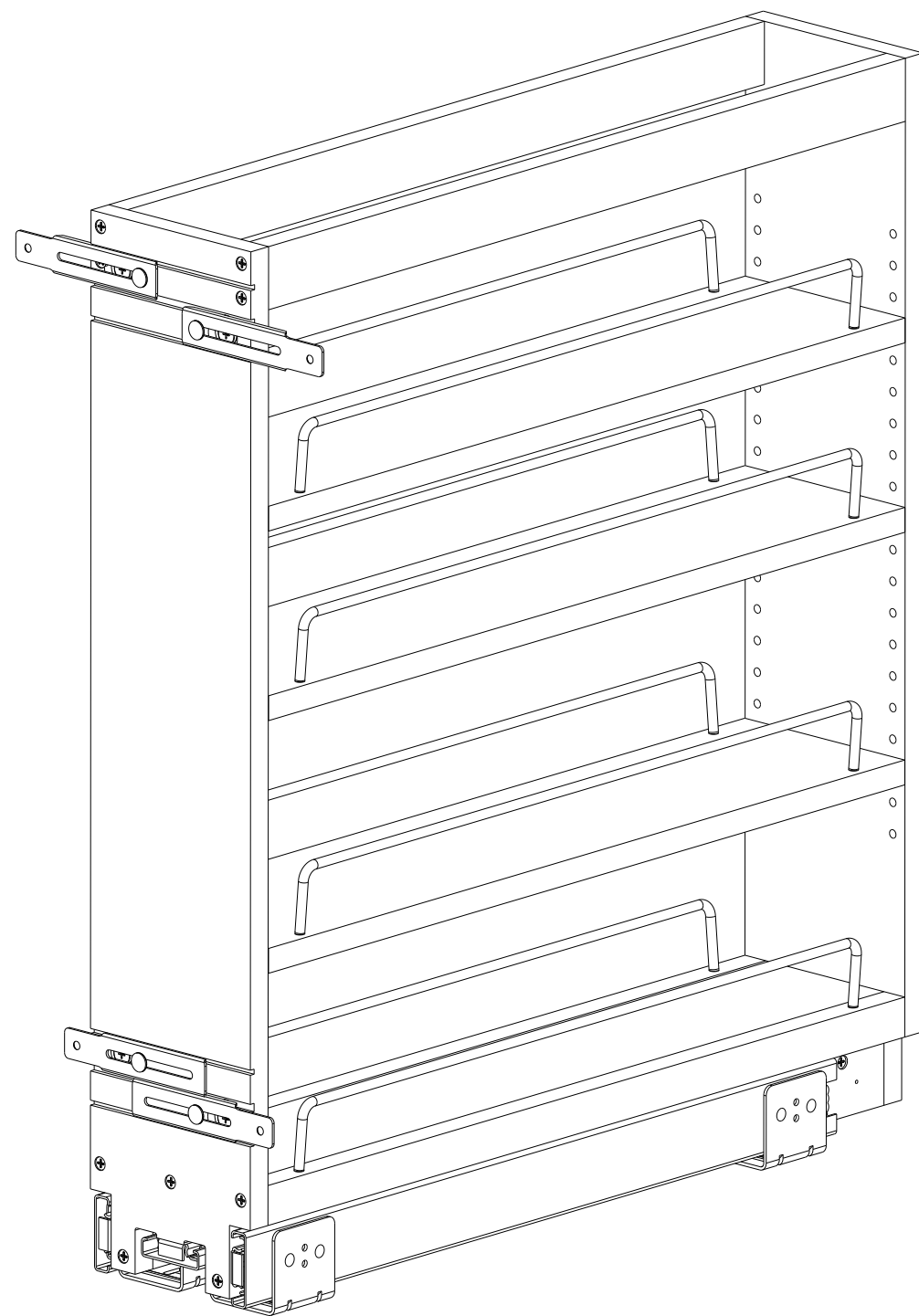
This drawing is the property of Rev-A-Shelf (RAS) and is disclosed in confidence to the extent its subject matter is original to RAS. Any vendor receiving this drawing from RAS shall hold and use this drawing for the sole benefit of RAS and shall not disclose it to, or use or reproduce it for any third party, or perform any act adverse to the interest of RAS with respect to this drawing without the express written permission of RAS. Vendors shall not revise any physical, dimensional or performance characteristic unless authorized by Rev-A-Shelf Engineering.

REV.	DATE	BY	DESCRIPTION OF CHANGE
B	7-8-09	KRR	ECN09-073
A	6-3-09	KRR	ECN09-065

INCH [MM]	AMERICAN PROJECTION	DRAWN	BY	DATE	REV-A-SHELF, INC.
			KRR	6-3-09	
			MATERIAL	DRAWING NO.	SCALE
			FINISH	448-BC-5C	0.210
			PART NO.		SHEET OF
			448-BC-5C		1 2

TOLERANCES
 MAT. DEC.
 (WOOD) .XX ±.03 [.8mm]
 (OTHER) .XX ±.02 [.5mm]
 (ALL) .XXX ±.005 [.13 mm]
 FRACTIONS ±1/32 [.8 mm]

ANGLES
 ±1/2°



PART DIMENSIONS	
WIDTH	5.00 [127]
DEPTH	22.47 [570,6]
HEIGHT	25.50 [647,7]

MIN CABINET OPENING	
WIDTH	5.50 [139,7]
DEPTH	22.50 [571,5]
HEIGHT	25.75 [654,1]

PRODUCT MAX WEIGHT RATING	
BMHA STANDARD	

SLIDE SPECIFICATIONS				
SLIDE TYPE	BALL BEARING	SLIDE EXTENSION	FULL	MAX WEIGHT RATING 100 LB
SLIDE CLOSING	N/A	SLIDE LENGTH	500MM	
SLIDE MOUNTING	N/A	SLIDE FINISH	ZINC	

CUSTOMER DRAWING

This drawing is the property of Rev-A-Shelf (RAS) and is disclosed in confidence to the extent its subject matter is original to RAS. Any vendor receiving this drawing from RAS shall hold and use this drawing for the sole benefit of RAS and shall not disclose it to, or use or reproduce it for any third party, or perform any act adverse to the interest of RAS with respect to this drawing without the express written permission of RAS. Vendors shall not revise any physical, dimensional or performance characteristic unless authorized by Rev-A-Shelf Engineering.

REV.	DATE	BY	DESCRIPTION OF CHANGE
B	7-8-09	KRR	ECN09-073
A	6-3-09	KRR	ECN09-065

INCH [MM]	AMERICAN PROJECTION 	DRAWN	BY	DATE	REV-A-SHELF, INC. 448BC-05 PULLOUT BASE ORGANIZER
			KRR	6-3-09	
TOLERANCES		ANGLES ±1/2°	MATERIAL	DRAWING NO.	SCALE
MAT.	DEC.		FINISH	PART NO.	SHEET OF
(WOOD)	.XX ±.03 [.8mm]			448-BC-5C	0.250
(OTHER)	.XX ±.02 [.5mm]			448-BC-5C	2 OF 2
(ALL)	.XXX ±.005 [.13 mm]				
FRACTIONS	±1/32 [.8 mm]				