

This drawing is the property of Rev-A-Shelf (RAS) and is disclosed in confidence to the extent its subject matter is original to RAS. Any vendor receiving this drawing from RAS shall hold and use this drawing for the sole benefit of RAS and shall not disclose it to, or use or reproduce it for any third party, or perform any act adverse to the interest of RAS with respect to this drawing without the express written permission of RAS. Vendors shall not revise any physical, dimensional or performance characteristic unless authorized by Rev-A-Shelf Engineering.

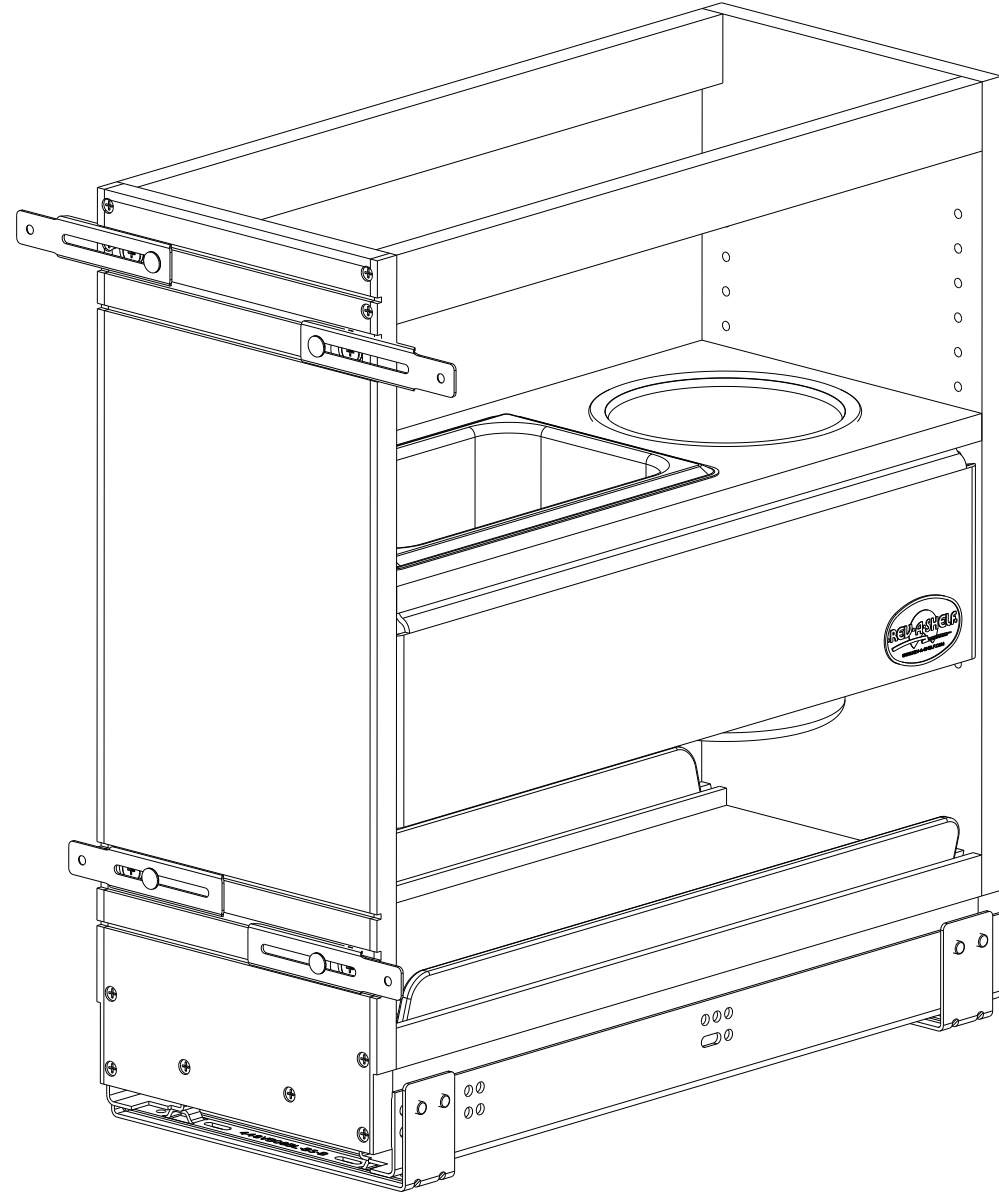
REV.	DATE	BY	DESCRIPTION OF CHANGE
D	6/29/19	BKT	ECN19-041
C	10-15-14	KRR	ECN14-080
B	10-6-14	KRR	ECN14-078
A	10-2-14	KRR	ECN14-076

INCH [MM]	AMERICAN PROJECTION	DRAWN	BY	DATE	REV-A-SHELF, INC.
			KRR	8-7-14	
			MATERIAL	DRAWING NO.	SCALE
			FINISH	445-VCG20SC-8	0.200
				PART NO.	SHEET OF
				445-VCG20SC-8	1 2

CUSTOMER DRAWING

TOLERANCES
 MAT. DEC.
 (WOOD) .XX ±.03 [8mm]
 (OTHER) .XX ±.02 [5mm]
 (ALL) .XXX ±.005 [13 mm]
 FRACTIONS ±1/32 [8 mm]

ANGLES
 ±1/2°



PART DIMENSIONS	
WIDTH	8.62 [218,9]
DEPTH	19.00 [482,6]
HEIGHT	20.29 [515,3]

MIN CABINET OPENING				
	FACE FRAME	FRAMELESS	INSET FACE FRAME	INSET FRAMELESS
WIDTH	8.50 [215,9]	8.75 [222,3]	8.50 [215,9]	8.75 [222,3]
DEPTH	19.13 [485,8]	19.13 [485,8]	19.88 [504,8]	19.88 [504,8]
HEIGHT	20.50 [520,7]	20.50 [520,7]	20.50 [520,7]	20.50 [520,7]

SLIDE SPECIFICATIONS				
SLIDE TYPE	BLUM TANDEM	SLIDE EXTENSION	FULL	MAX WEIGHT RATING 135 LB
SLIDE CLOSING	SELF/SOFT	SLIDE LENGTH	18" [457]	
SLIDE MOUNTING	BOTTOM	SLIDE FINISH	ZINC	

CUSTOMER DRAWING

This drawing is the property of Rev-A-Shelf (RAS) and is disclosed in confidence to the extent its subject matter is original to RAS. Any vendor receiving this drawing from RAS shall hold and use this drawing for the sole benefit of RAS and shall not disclose it to, or use or reproduce it for any third party, or perform any act adverse to the interest of RAS with respect to this drawing without the express written permission of RAS. Vendors shall not revise any physical, dimensional or performance characteristic unless authorized by Rev-A-Shelf Engineering.

D	6/29/19	BKT	ECN19-041
C	10-15-14	KRR	ECN14-080
B	10-6-14	KRR	ECN14-078
A	10-2-14	KRR	ECN14-076
REV.	DATE	BY	DESCRIPTION OF CHANGE

INCH [MM]	AMERICAN PROJECTION 	DRAWN	BY	DATE	REV-A-SHELF, INC.
			KRR	8-7-14	
		MATERIAL		DRAWING NO.	SCALE
		FINISH		445-VCG20SC-8	0.250
				PART NO.	SHEET OF
				445-VCG20SC-8	2 2

TOLERANCES
 MAT. DEC.
 (WOOD) .XX ±.03 [8mm]
 (OTHER) .XX ±.02 [5mm]
 (ALL) .XXX ±.005 [13 mm]
 FRACTIONS ±1/32 [8 mm]

ANGLES
 ±1/2°