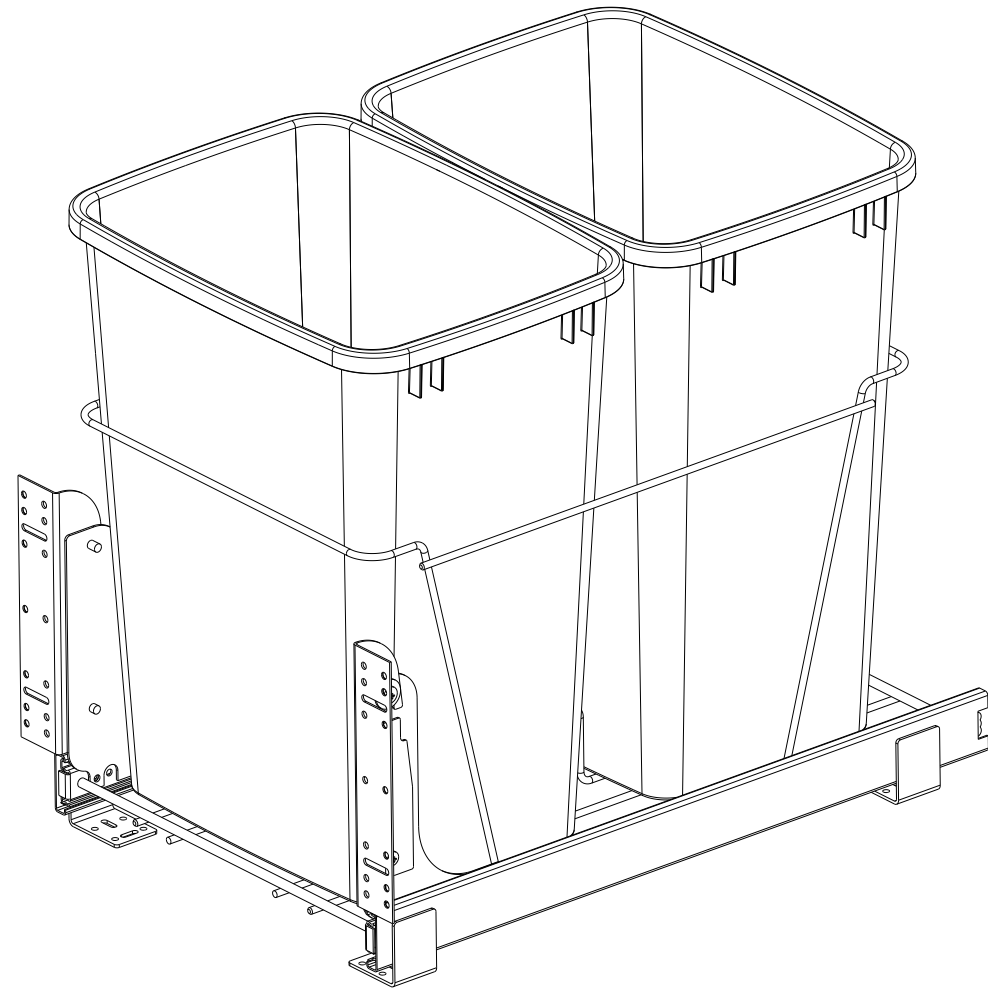


CUSTOMER DRAWING

This drawing is the property of Rev-A-Shelf (RAS) and is disclosed in confidence to the extent its subject matter is original to RAS. Any vendor receiving this drawing from RAS shall hold and use this drawing for the sole benefit of RAS and shall not disclose it to, or use or reproduce it for any third party, or perform any act adverse to the interest of RAS with respect to this drawing without the express written permission of RAS. Vendors shall not revise any physical, dimensional or performance characteristic unless authorized by Rev-A-Shelf Engineering.

REV.	DATE	BY	DESCRIPTION OF CHANGE

INCH [MM]	AMERICAN PROJECTION	BY	DATE	REV-A-SHELF, INC.	
		LCS	6/09/22	SIZE	B
TOLERANCES		ANGLES	MATERIAL	DRAWING NO.	SCALE
MAT.	DEC.	±1/2°	FINISH	RV-18PB-2 S	0.150
(WOOD)	.XX ±.03 [.8mm]			PART NO.	SHEET OF
(OTHER)	.XX ±.02 [.5mm]			RV-18PB-2 S	1 2
(ALL)	.XXX ±.005 [.13 mm]				
FRACTIONS	±1/32 [.8 mm]				



PART DIMENSIONS	
WIDTH	14.21 [360,9]
DEPTH	22.31 [566,7]
HEIGHT	19.26 [489,3]
CONTAINER CAPACITY	35
CONTAINER UOM	QT

MIN CABINET OPENING				
	FACE FRAME	FRAMELESS	INSET FACE FRAME	INSET FRAMELESS
WIDTH	14.75 [374,7]	14.75 [374,7]	14.75 [374,7]	14.75 [374,7]
DEPTH	22.31 [566,7]	22.31 [566,7]	23.06 [585,8]	23.06 [585,8]
HEIGHT	19.50 [495,3]	19.50 [495,3]	19.50 [495,3]	19.50 [495,3]

SLIDE SPECIFICATIONS				
SLIDE MANUFACTURER	ACCURIDE			
SLIDE PART NUMBER	3832-919X	RELEASE PART NUMBER	N/A	
SLIDE TYPE	BALL BEARING	SLIDE EXTENSION	FULL EXTENSION	MAX WEIGHT RATING
SLIDE CLOSING	N/A	SLIDE LENGTH	22.00 [559,0]	
SLIDE MOUNTING	BOTTOM	SLIDE FINISH	WHITE E-COAT	100LB

CUSTOMER DRAWING

This drawing is the property of Rev-A-Shelf (RAS) and is disclosed in confidence to the extent its subject matter is original to RAS. Any vendor receiving this drawing from RAS shall hold and use this drawing for the sole benefit of RAS and shall not disclose it to, or use or reproduce it for any third party, or perform any act adverse to the interest of RAS with respect to this drawing without the express written permission of RAS. Vendors shall not revise any physical, dimensional or performance characteristic unless authorized by Rev-A-Shelf Engineering.

REV.	DATE	BY	DESCRIPTION OF CHANGE

INCH [MM]	AMERICAN PROJECTION	DRAWN	BY	DATE	REV-A-SHELF, INC.
			LCS	6/09/22	
			SIZE	DOUBLE 35QT WIRE PULLOUT	
			MATERIAL	DRAWING NO.	SCALE
			FINISH	RV-18PB-2 S	0.188
				PART NO.	SHEET OF
				RV-18PB-2 S	2 OF 2

TOLERANCES
 MAT. DEC.
 (WOOD) .XX ±.03 [.8mm]
 (OTHER) .XX ±.02 [.5mm]
 (ALL) .XXX ±.005 [.13 mm]
 FRACTIONS ±1/32 [.8 mm]

ANGLES ±1/2°