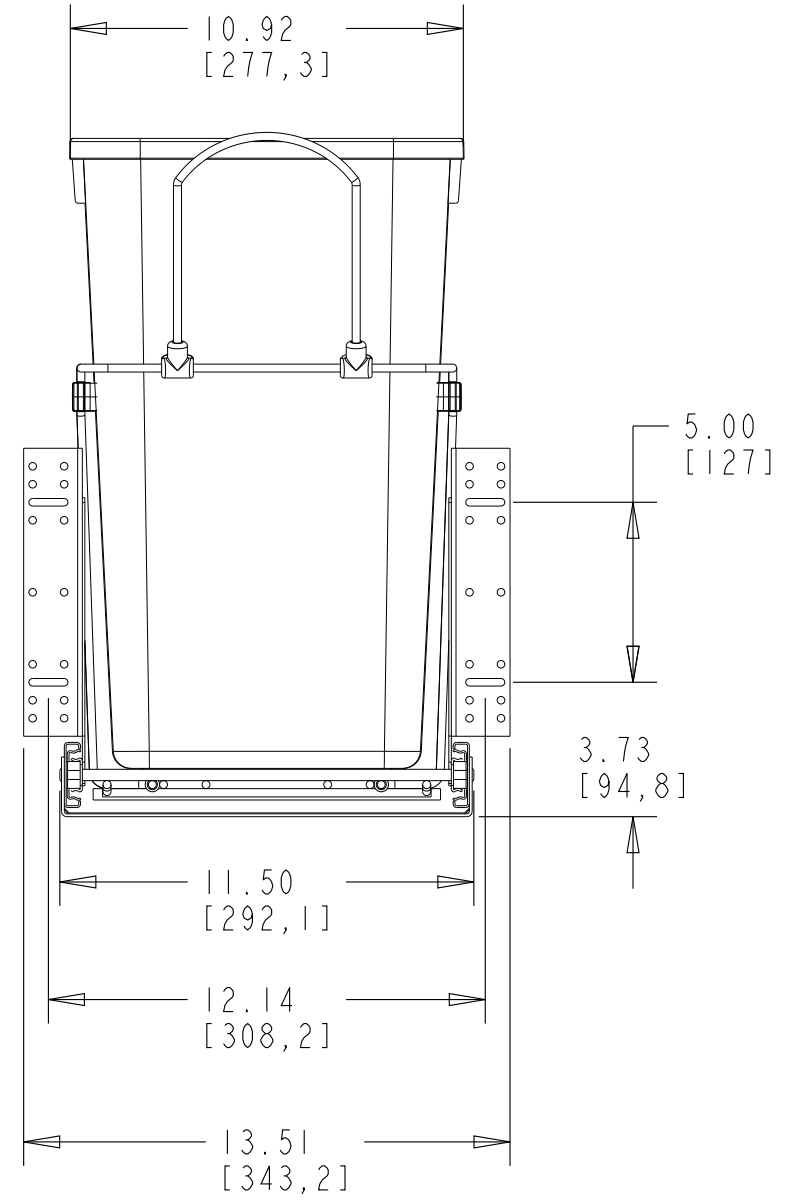
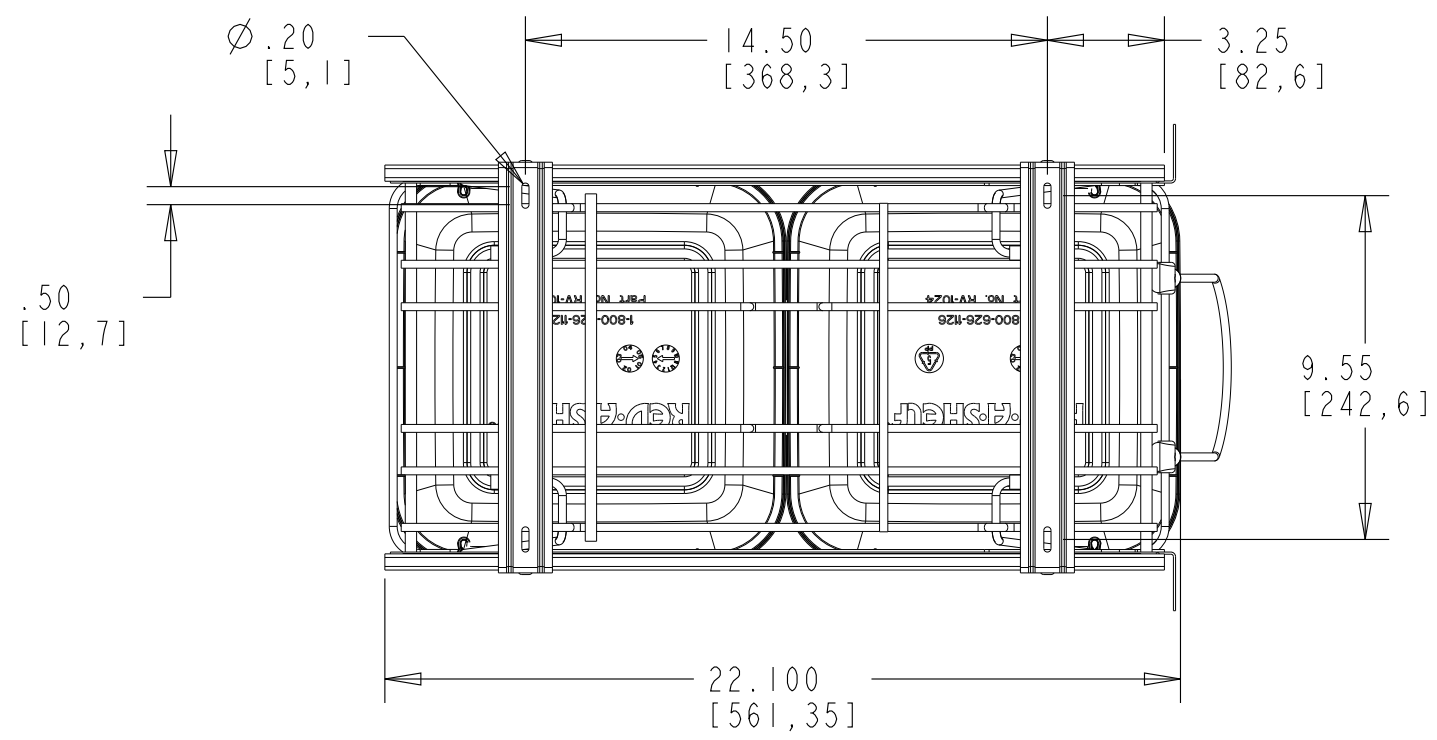
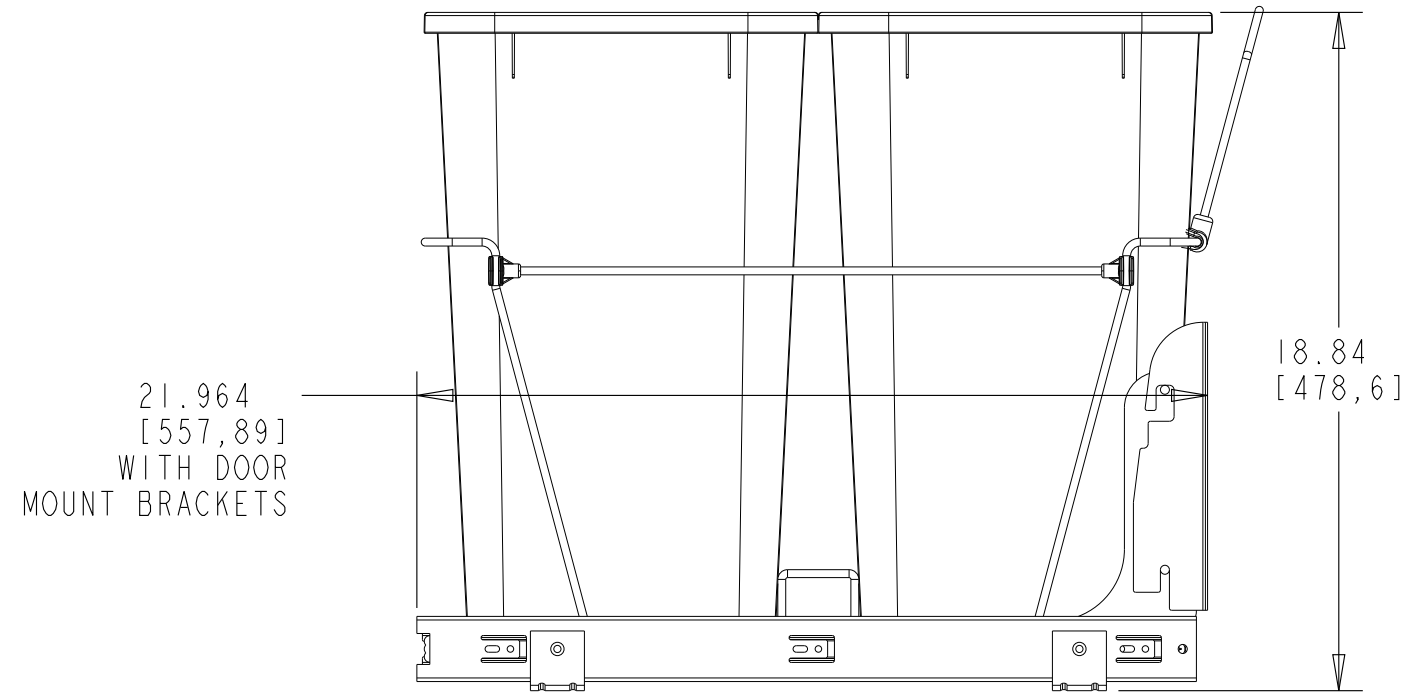


NOTE: UNIT SHOWN WITH BOTH HANDLE AND OPTIONAL DOOR MOUNT HARDWARE.



PART NUMBER	WASTE CONTAINER COLOR
RV-15KD-17C S	BLACK
RV-15KD-18C S	METALLIC SILVER

CUSTOMER DRAWING

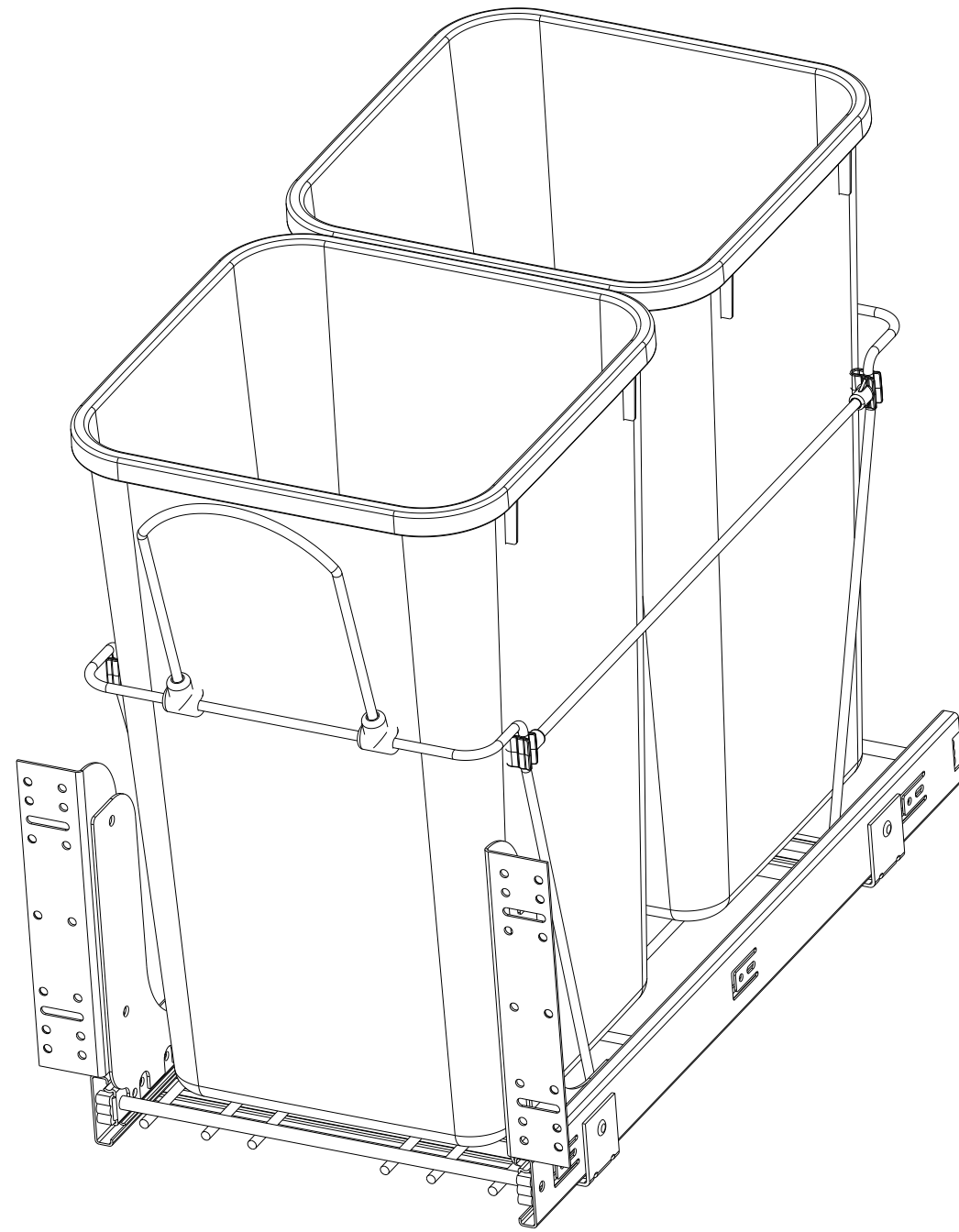
This drawing is the property of Rev-A-Shelf (RAS) and is disclosed in confidence to the extent its subject matter is original to RAS. Any vendor receiving this drawing from RAS shall hold and use this drawing for the sole benefit of RAS and shall not disclose it to, or use or reproduce it for any third party, or perform any act adverse to the interest of RAS with respect to this drawing without the express written permission of RAS. Vendors shall not revise any physical, dimensional or performance characteristic unless authorized by Rev-A-Shelf Engineering.

REV.	DATE	BY	DESCRIPTION OF CHANGE
F	9-29-21	KMW	ECN21-030
E	3-12-19	KRR	ECN19-017

INCH [MM]	AMERICAN PROJECTION	DRAWN	BY	DATE	REV-A-SHELF, INC.	
			DKK	2-12-14		
			MATERIAL	DRAWING NO.	SCALE	SHEET OF
			FINISH	RV-15KD-XXC_S_CUST	0.188	
			PART NO.		SEE CHART	1 OF 2

TOLERANCES  
MAT. DEC.  
(WOOD) .XX ±.03 [.8mm]  
(OTHER) .XX ±.02 [.5mm]  
(ALL) .XXX ±.005 [.13 mm]  
FRACTIONS ±1/32 [.8 mm]

ANGLES  
±1/2°



PART DIMENSIONS		
	MIN	MAX
WIDTH	11.50	
DEPTH	22.10	
HEIGHT	18.84	
CONTAINER CAPACITY	27 X 2	
CONTAINER UOM	QUART	

MIN CABINET OPENING	
WIDTH	11.50
DEPTH	22.10
HEIGHT	19.25

PRODUCT MAX WEIGHT RATING
100 LB

SLIDE SPECIFICATIONS				
SLIDE TYPE	BALL BEARING	SLIDE EXTENSION	FULL	MAX WEIGHT RATING
SLIDE CLOSING	NORMAL	SLIDE LENGTH	21.65 [550]	
SLIDE MOUNTING	BOTTOM	SLIDE FINISH	ZINC	100 LB

CUSTOMER DRAWING

This drawing is the property of Rev-A-Shelf (RAS) and is disclosed in confidence to the extent its subject matter is original to RAS. Any vendor receiving this drawing from RAS shall hold and use this drawing for the sole benefit of RAS and shall not disclose it to, or use or reproduce it for any third party, or perform any act adverse to the interest of RAS with respect to this drawing without the express written permission of RAS. Vendors shall not revise any physical, dimensional or performance characteristic unless authorized by Rev-A-Shelf Engineering.

REV.	DATE	BY	DESCRIPTION OF CHANGE
F	9-29-21	KMW	ECN21-030
E	3-12-19	KRR	ECN19-017

INCH [MM]	AMERICAN PROJECTION 	DRAWN	BY	DATE	REV-A-SHELF, INC.
		DKK			
		MATERIAL		SIZE	RV-15KD KNOCK DOWN
		FINISH		DRAWING NO.	
TOLERANCES MAT. DEC. (WOOD) .XX ±.03 [.8mm] (OTHER) .XX ±.02 [.5mm] (ALL) .XXX ±.005 [.13 mm] FRACTIONS ±1/32 [.8 mm]		ANGLES ±1/2°	DRAWING NO. RV-15KD-XXC_S_CUST		SCALE 0.250
		PART NO. SEE CHART (SHT1)		SHEET OF 2 OF 2	