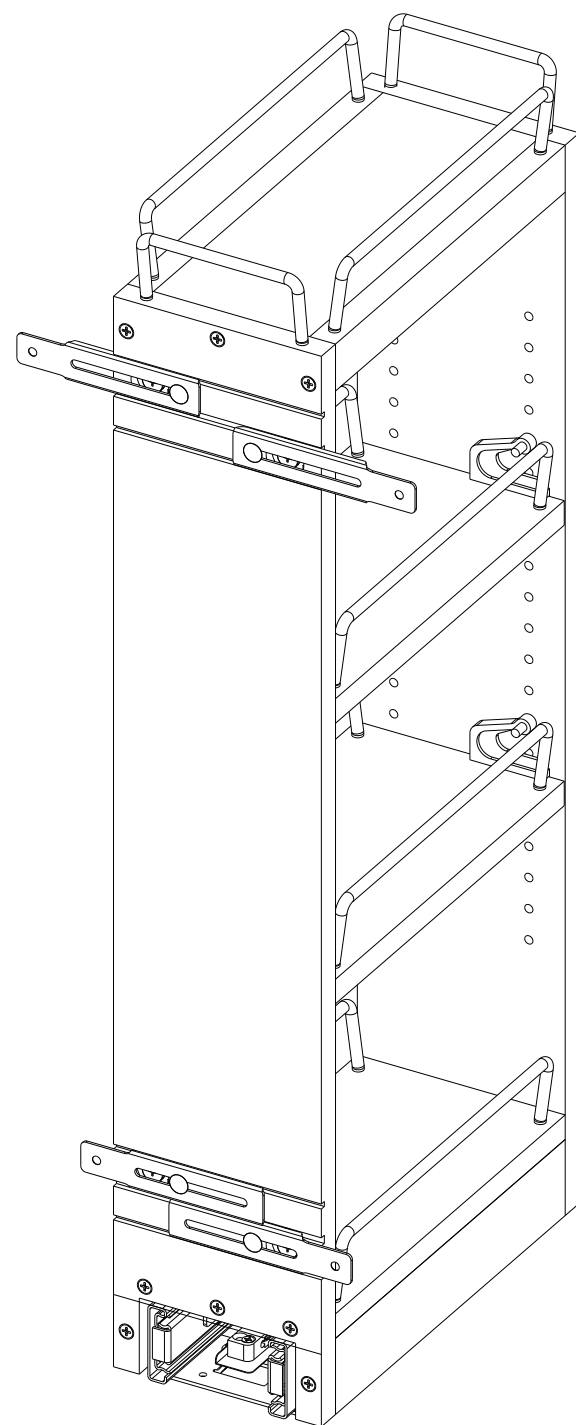


CUSTOMER DRAWING

This drawing is the property of Rev-A-Shelf (RAS) and is disclosed in confidence to the extent its subject matter is original to RAS. Any vendor receiving this drawing from RAS shall hold and use this drawing for the sole benefit of RAS and shall not disclose it to, or use or reproduce it for any third party, or perform any act adverse to the interest of RAS with respect to this drawing without the express written permission of RAS. Vendors shall not revise any physical, dimensional or performance characteristic unless authorized by Rev-A-Shelf Engineering.

REV.	DATE	BY	DESCRIPTION OF CHANGE

INCH [MM]	AMERICAN PROJECTION 	BY	DATE	REV-A-SHELF, INC.	
		DRAWN	DKK 9/26/16	SIZE	B
TOLERANCES		MATERIAL	DRAWING NO.	SCALE	
MAT.	DEC.	FINISH	448-BBSCWC-5C	0.188	
(WOOD) .XX ±.03 [.8mm]	(OTHER) .XX ±.02 [.5mm]		PART NO.	448-BBSCWC-5C	SHEET
(ALL) .XXX ±.005 [.13 mm]	FRACTIONS ±1/32 [.8 mm]			1	2



PART DIMENSIONS	
WIDTH	5.00 [127]
DEPTH	10.75 [273,1]
HEIGHT *	26.15 [664,2]

* HEIGHT W/ TOP RAILS: 27.85 [707,3]

MIN CABINET OPENING				
	FACE FRAME	FRAMELESS	INSET FACE FRAME	INSET FRAMELESS
WIDTH	5.50 [139,7]	5.50 [139,7]	5.50 [139,7]	5.50 [139,7]
DEPTH	10.75 [273,1]	10.75 [273,1]	11.50 [292,1]	11.50 [292,1]
HEIGHT **	26.40 [670,6]	26.40 [670,6]	26.40 [670,6]	26.40 [670,6]

** IF USING TOP RAILS: 28.10 [713,7]

SLIDE SPECIFICATION				
SLIDE TYPE	BALL BEARING	SLIDE EXTENSION	FULL	MAX WEIGHT RATING
SLIDE CLOSING	SOFT	SLIDE LENGTH	267.7 MM	
SLIDE MOUNTING	N/A	SLIDE FINISH	ZINC	100 LBS

PRODUCT MAX WEIGHT RATING
BHMA STANDARD

CUSTOMER DRAWING

This drawing is the property of Rev-A-Shelf (RAS) and is disclosed in confidence to the extent its subject matter is original to RAS. Any vendor receiving this drawing from RAS shall hold and use this drawing for the sole benefit of RAS and shall not disclose it to, or use or reproduce it for any third party, or perform any act adverse to the interest of RAS with respect to this drawing without the express written permission of RAS. Vendors shall not revise any physical, dimensional or performance characteristic unless authorized by Rev-A-Shelf Engineering.

REV.	DATE	BY	DESCRIPTION OF CHANGE

INCH [MM]	AMERICAN PROJECTION	DRAWN	BY	DATE	REV-A-SHELF, INC.
			DKK	9/26/16	
TOLERANCES		MATERIAL	DRAWING NO.		SCALE
MAT.	DEC.		FINISH	448-BBSCWC-5C	
(WOOD) .XX ±.03 [.8mm]	(OTHER) .XX ±.02 [.5mm]	PART NO.		448-BBSCWC-5C	
(ALL) .XXX ±.005 [.13 mm]	FRACTIONS ±1/32 [.8 mm]				