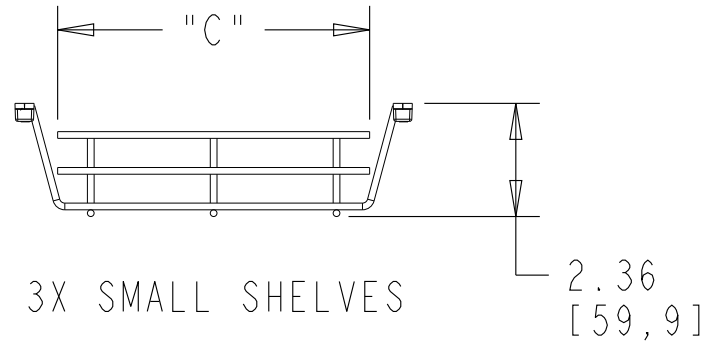
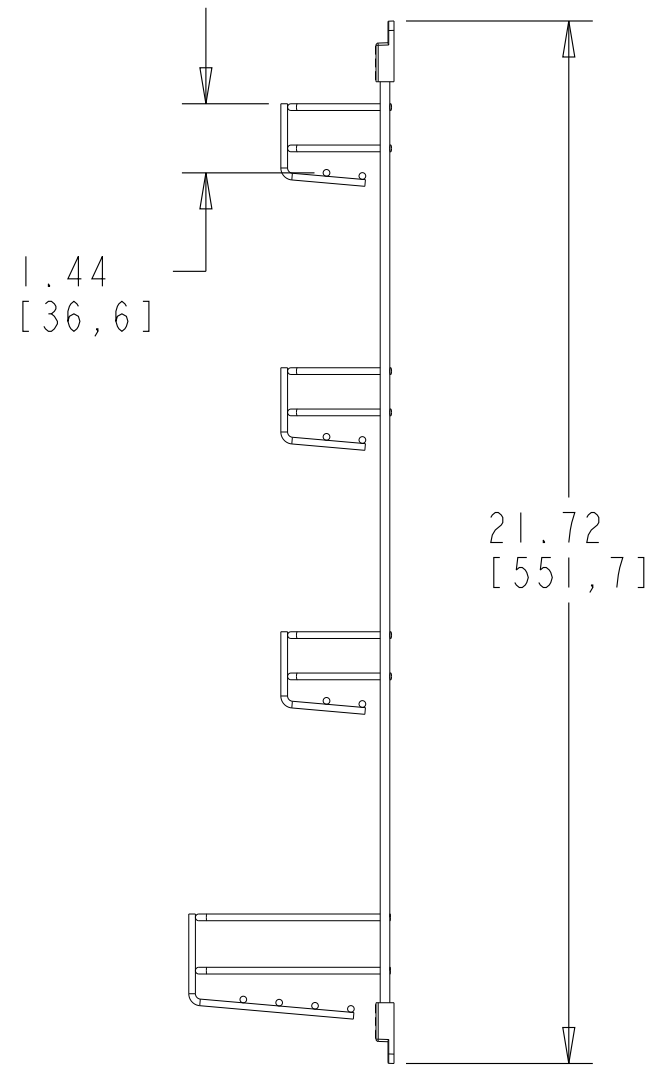
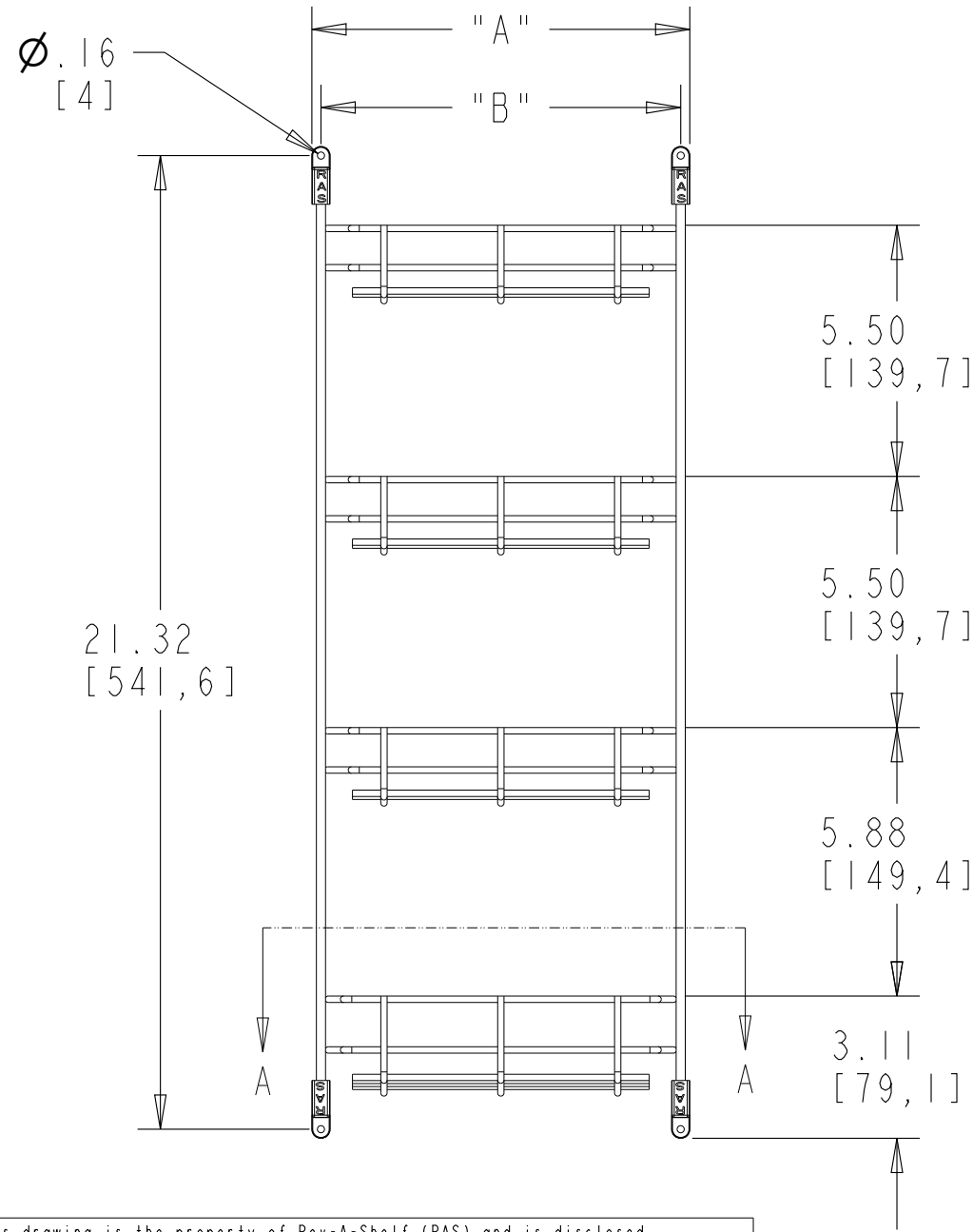


SECTION A-A



3X SMALL SHELVES

PART NO.	"A"	"B"	"C"
565-8-52	8.28 [210, 3]	7.88 [200, 2]	6.50 [165, 1]
565-10-52	11.00 [279, 4]	10.63 [296, 9]	9.38 [238, 1]
565-14-52	14.00 [355, 6]	13.63 [346, 1]	12.38 [314, 3]



CUSTOMER DRAWING

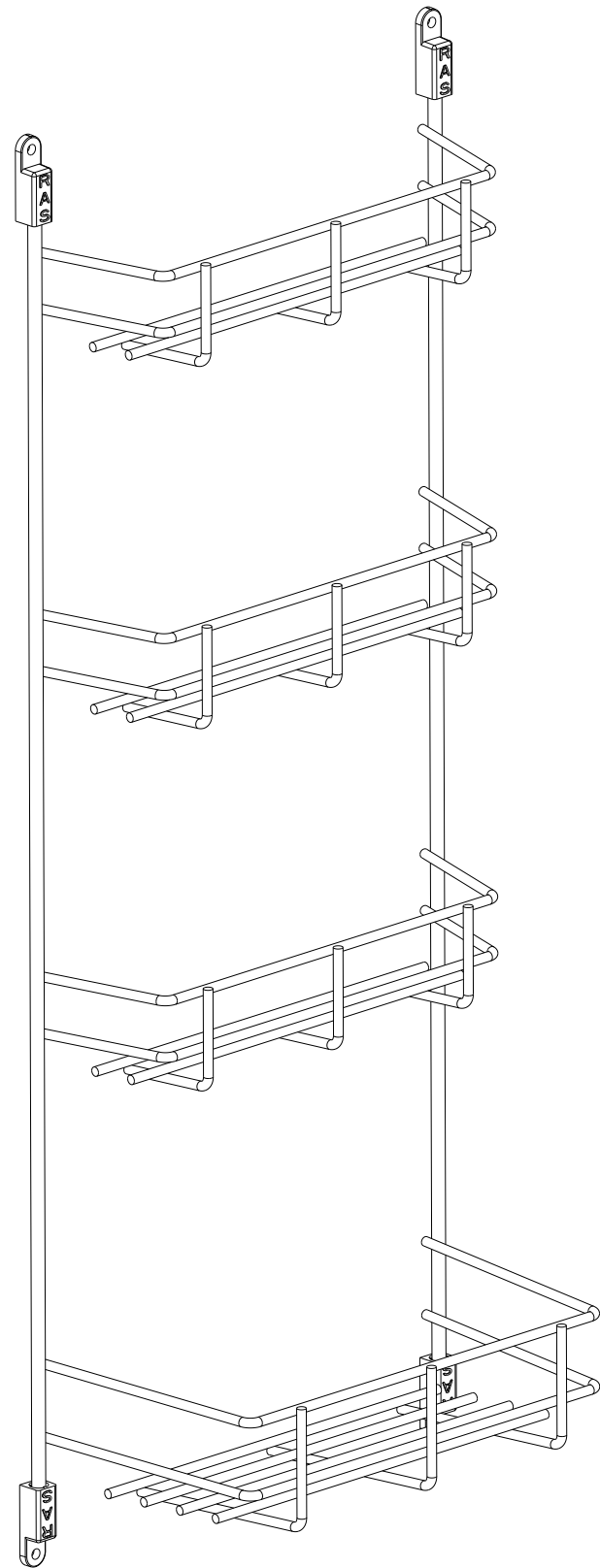
This drawing is the property of Rev-A-Shelf (RAS) and is disclosed in confidence to the extent its subject matter is original to RAS. Any vendor receiving this drawing from RAS shall hold and use this drawing for the sole benefit of RAS and shall not disclose it to, or use or reproduce it for any third party, or perform any act adverse to the interest of RAS with respect to this drawing without the express written permission of RAS. Vendors shall not revise any physical, dimensional or performance characteristic unless authorized by Rev-A-Shelf Engineering.

REV.	DATE	BY	DESCRIPTION OF CHANGE

INCH [MM]	AMERICAN PROJECTION	DRAWN	BY	DATE	REV-A-SHELF, INC.
			LCS	6-12-23	
			MATERIAL	DRAWING NO.	SCALE
			FINISH	565-XX-52	0.250
				PART NO.	SHEET OF
				565-XX-52	1 OF 2

TOLERANCES  
 MAT. DEC.  
 (WOOD) .XX ±.03 [.8mm]  
 (OTHER) .XX ±.02 [.5mm]  
 (ALL) .XXX ±.005 [.13 mm]  
 FRACTIONS ±1/32 [.8 mm]

ANGLES  
 ±1/2°



PART NO.	"A"	"D"
565-8-52	8.28 [210,3]	9.00 [228,6]
565-10-52	11.00 [279,4]	12.00 [304,8]
565-14-52	14.00 [355,6]	15.00 [381]

PART DIMENSIONS		
	MIN	MAX
WIDTH	"A"	
DEPTH *	2.36 [59,9]	4.28 [108,6]
HEIGHT	21.72 [551,7]	

\* MIN IS FOR SMALL SHELVES  
MAX IS FOR LARGE BOTTOM SHELF

MIN CABINET OPENING				
	FACE FRAME	FRAMELESS	INSET FACE FRAME	INSET FRAMELESS
WIDTH	"D"	"D"	"D"	"D"
DEPTH	4.50 [114,3]	4.50 [114,3]	5.25 [133,4]	5.25 [133,4]
HEIGHT	22.00 [558,8]	22.00 [558,8]	22.00 [558,8]	22.00 [558,8]

CUSTOMER DRAWING

This drawing is the property of Rev-A-Shelf (RAS) and is disclosed in confidence to the extent its subject matter is original to RAS. Any vendor receiving this drawing from RAS shall hold and use this drawing for the sole benefit of RAS and shall not disclose it to, or use or reproduce it for any third party, or perform any act adverse to the interest of RAS with respect to this drawing without the express written permission of RAS. Vendors shall not revise any physical, dimensional or performance characteristic unless authorized by Rev-A-Shelf Engineering.

REV.	DATE	BY	DESCRIPTION OF CHANGE

INCH [MM]	AMERICAN PROJECTION	DRAWN	BY	DATE	REV-A-SHELF, INC.
			LCS	6-12-23	
			SIZE	WIRE DOOR MOUNT SPICE RACK	
			MATERIAL	DRAWING NO.	SCALE
			FINISH	565-XX-52	0.375
				PART NO.	565-XX-52

TOLERANCES  
 MAT. DEC.  
 (WOOD) .XX ±.03 [.8mm]  
 (OTHER) .XX ±.02 [.5mm]  
 (ALL) .XXX ±.005 [.13 mm]  
 FRACTIONS ±1/32 [.8 mm]

ANGLES ±1/2°