

CUSTOMER DRAWING

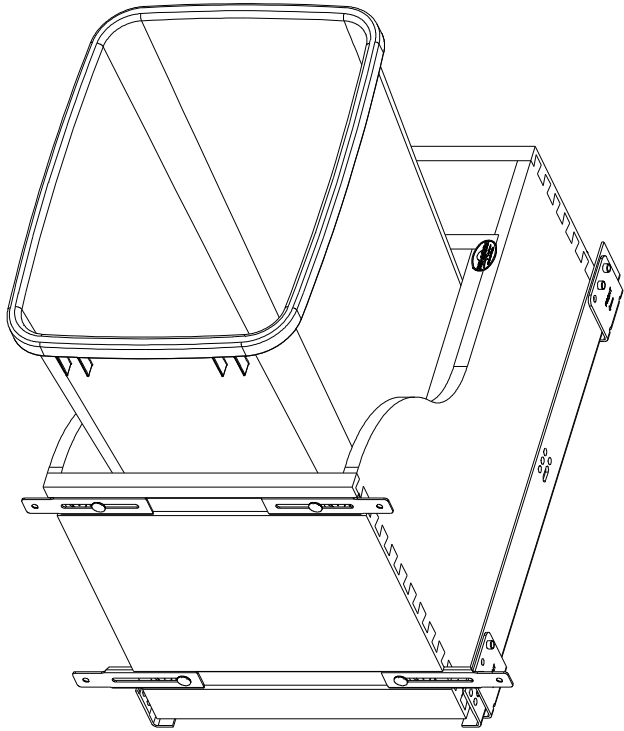
This drawing is the property of Rev-A-Shelf (RAS) and is disclosed in confidence to the extent its subject matter is original to RAS. Any vendor receiving this drawing from RAS shall hold and use this drawing for the sole benefit of RAS and shall not disclose it to, or use or reproduce it for any third party, or perform any act adverse to the interest of RAS with respect to this drawing without the express written permission of RAS. Vendors shall not revise any physical, dimensional or performance characteristic unless authorized by Rev-A-Shelf Engineering.

REV.	DATE	BY	DESCRIPTION OF CHANGE

INCH [MM]	AMERICAN PROJECTION	DRAWN	BY	DATE	REV-A-SHELF, INC.
		KRR		6-8-15	
					SIZE B
					DRAWING NO. 4WCSC19-1535DM-1
					SCALE 0.200
					PART NO. 4WCSC19-1535DM-1
					SHEET OF 1 2

TOLERANCES
 MAT. DEC.
 (WOOD) .XX ±.03 [.8mm]
 (OTHER) .XX ±.02 [.5mm]
 (ALL) .XXX ±.005 [.13mm]
 FRACTIONS ±1/32 [.8mm]

ANGLES
±1/2°



MIN CABINET OPENING FACE FRAME	
WIDTH	11.50
DEPTH	18.75
HEIGHT	20.50

PART DIMENSIONS		
	MIN	MAX
WIDTH	11.98	
DEPTH	18.66	
HEIGHT	19.49	20.37
WEIGHT		
DIAMETER		
RADIUS		
CONTAINER CAPACITY	35	
CONTAINER UOM	QUART	

MIN CABINET OPENING FRAMELESS	
WIDTH	12.00
DEPTH	18.75
HEIGHT	20.50

PRODUCT MAX WEIGHT RATING

SLIDE SPECIFICATIONS				
SLIDE TYPE	BLUM TANDEM	SLIDE EXTENSION	FULL	MAX WEIGHT RATING
SLIDE CLOSING	SELF/SOFT	SLIDE LENGTH	18" [457]	
SLIDE MOUNTING	SIDE	SLIDE FINISH	ZINC	135 LB STATIC

CUSTOMER DRAWING

This drawing is the property of Rev-A-Shelf (RAS) and is disclosed in confidence to the extent its subject matter is original to RAS. Any vendor receiving this drawing from RAS shall hold and use this drawing for the sole benefit of RAS and shall not disclose it to, or use or reproduce it for any third party, or perform any act adverse to the interest of RAS with respect to this drawing without the express written permission of RAS. Vendors shall not revise any physical, dimensional or performance characteristic unless authorized by Rev-A-Shelf Engineering.

REV.	DATE	BY	DESCRIPTION OF CHANGE

INCH [MM]	AMERICAN PROJECTION	DRAWN	BY	DATE	REV-A-SHELF, INC.	
					SIZE	SCALE
		KRR		6-8-15	B	REDUCED DEPTH SINGLE 35 BLUM
TOLERANCES MAT. DEC. (WOOD) .XX ±.03 [.8mm] (OTHER) .XX ±.02 [1.5mm] (ALL) .XXX ±.005 [1.3mm] FRACTIONS ±1/32 [1.8mm]		MATERIAL FINISH		ANGLES ±1/2°	DRAWING NO. 4WCSC19-1535DM-1	SCALE 0.250 SHEET OF 2 OF 2