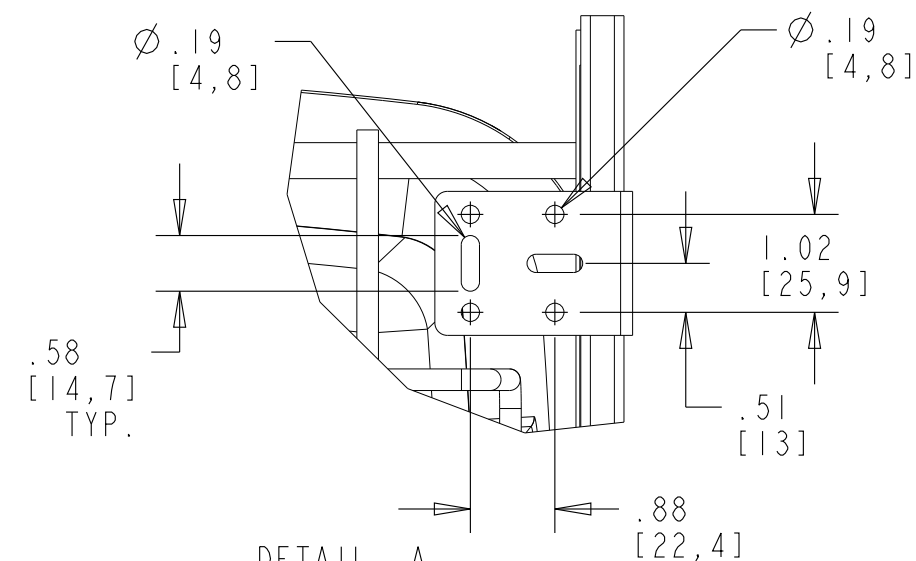
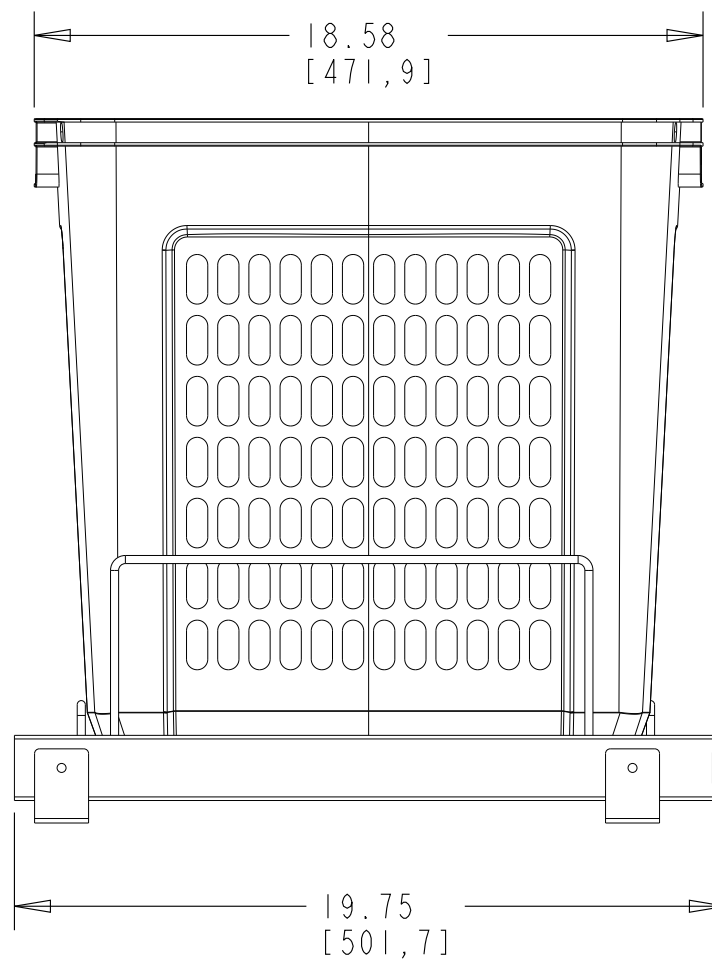
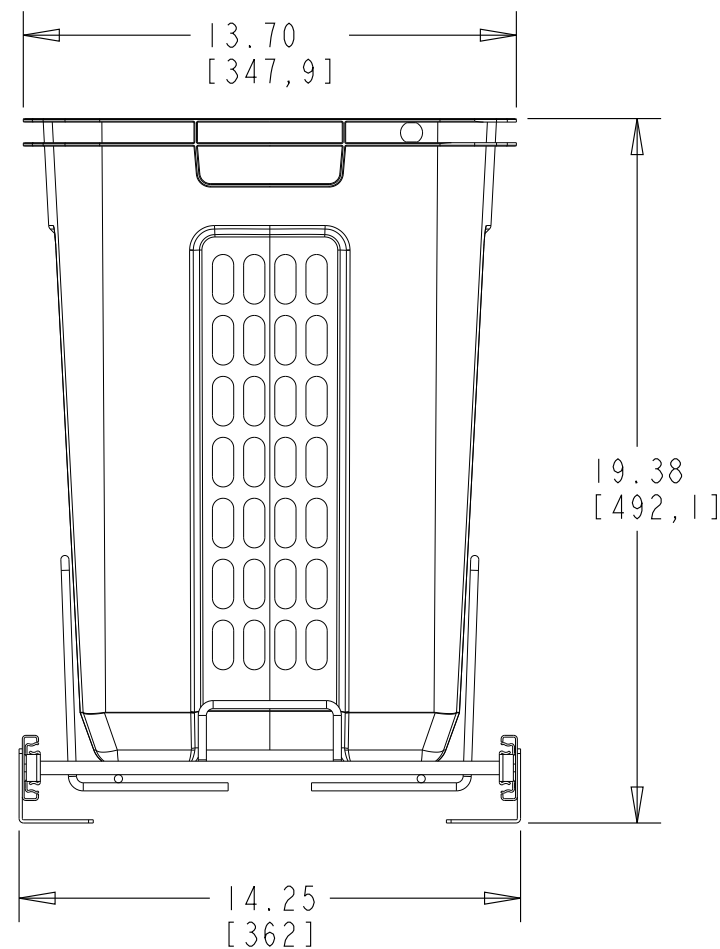
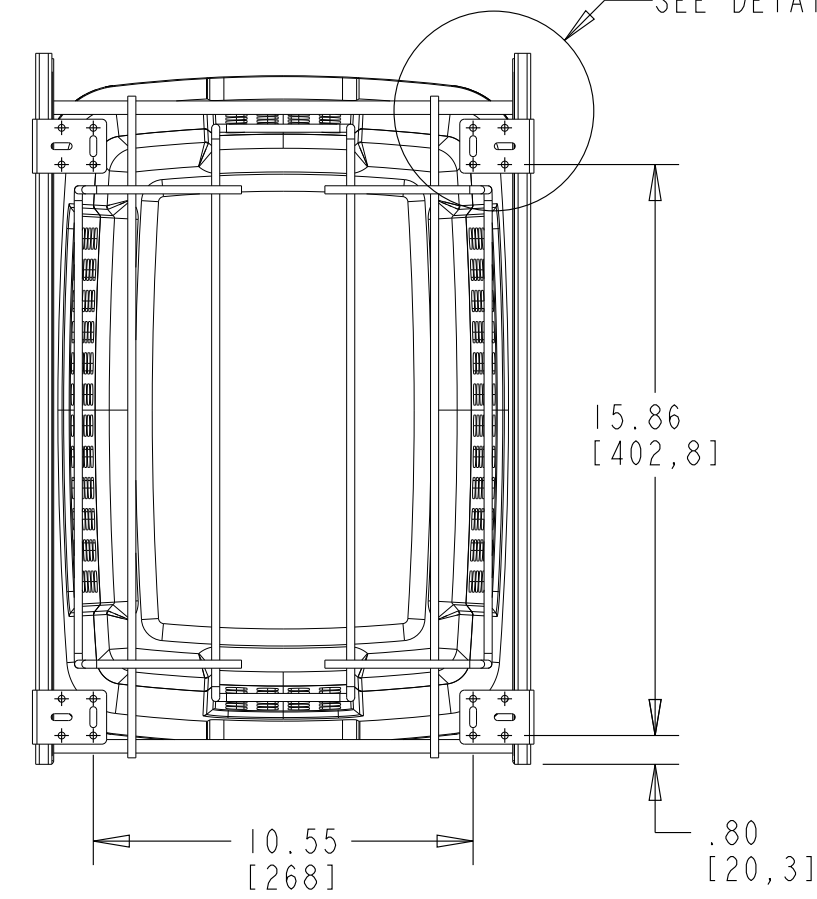
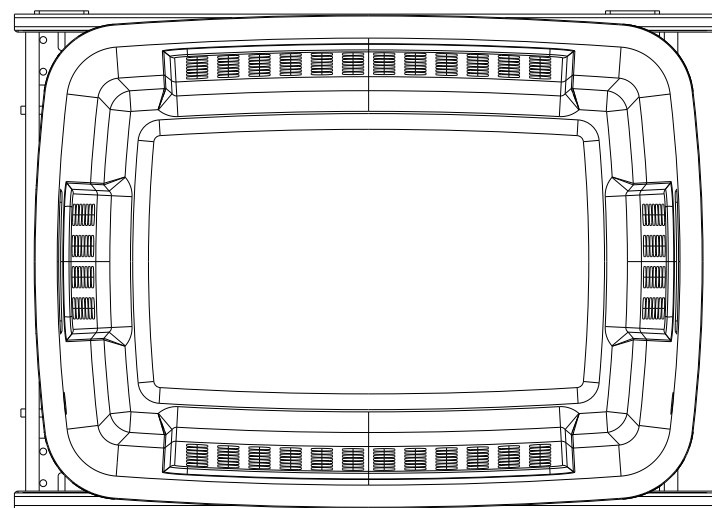


SEE DETAIL A



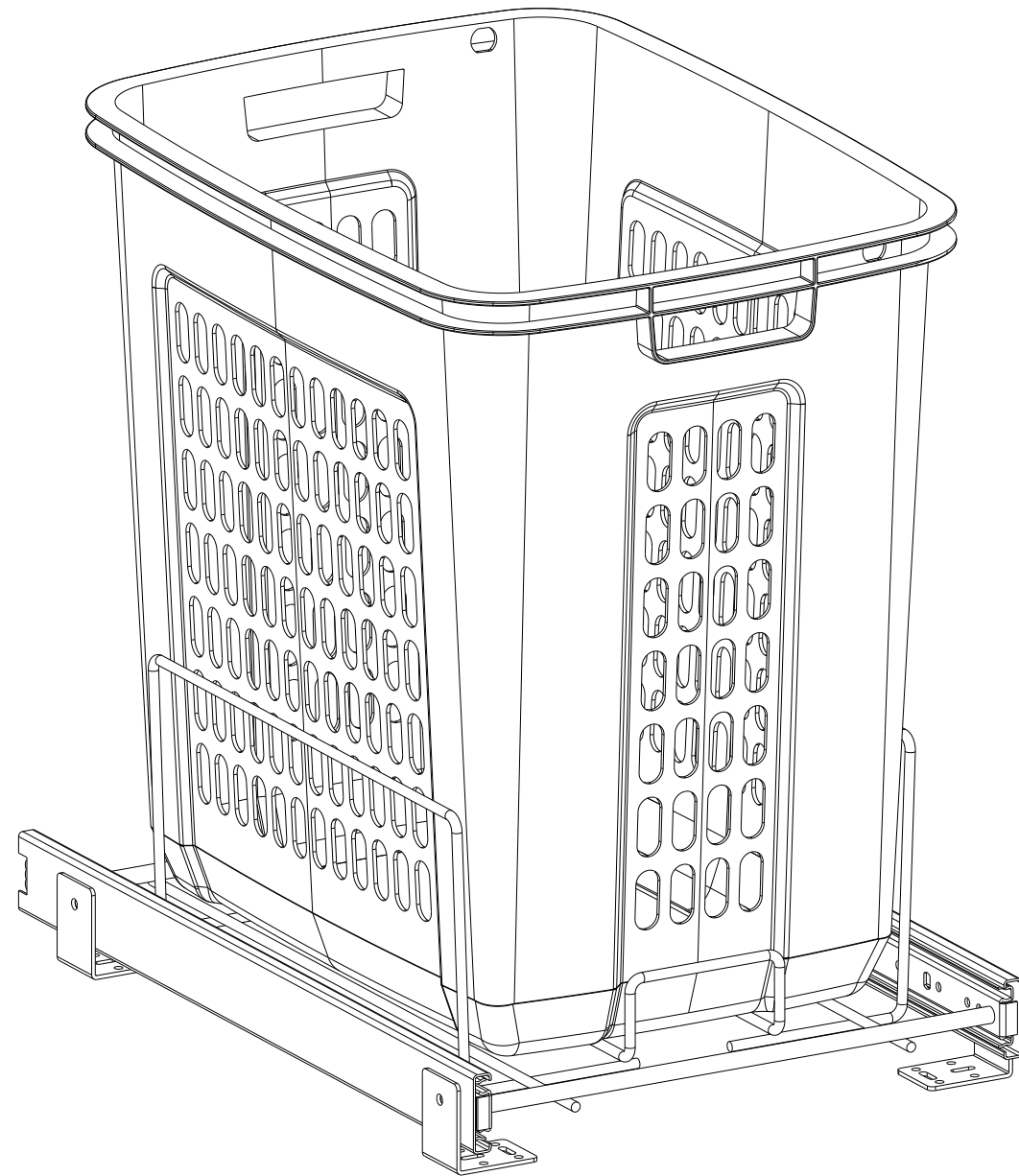
DETAIL A
SCALE 0.500

CUSTOMER DRAWING

This drawing is the property of Rev-A-Shelf (RAS) and is disclosed in confidence to the extent its subject matter is original to RAS. Any vendor receiving this drawing from RAS shall hold and use this drawing for the sole benefit of RAS and shall not disclose it to, or use or reproduce it for any third party, or perform any act adverse to the interest of RAS with respect to this drawing without the express written permission of RAS. Vendors shall not revise any physical, dimensional or performance characteristic unless authorized by Rev-A-Shelf Engineering.

REV.	DATE	BY	DESCRIPTION OF CHANGE

INCH [MM]	AMERICAN PROJECTION	BY	DATE	REV-A-SHELF, INC.	
		KRR	12-20-18	SIZE	B
TOLERANCES		MATERIAL	DRAWING NO.	SCALE	
MAT. DEC. (WOOD) .XX ±.03 [.8mm] (OTHER) .XX ±.02 [.5mm] (ALL) .XXX ±.005 [.13 mm] FRACTIONS ±1/32 [.8 mm]		FINISH	HPRV-1520 S	0.188	
ANGLES ±1/2°		PART NO.		SHEET OF	
		HPRV-1520 S		1 2	



PART DIMENSIONS	
	MIN
WIDTH	14.25 [362]
DEPTH	19.75 [501,7]
HEIGHT	19.38 [492,1]
CONTAINER CAPACITY	1.5
CONTAINER UOM	BUSHEL

MIN CABINET OPENING				
	FACE FRAME	FRAMELESS	INSET FACE FRAME	INSET FRAMELESS
WIDTH	14.50 [368,3]	14.50 [368,3]	14.50 [368,3]	14.50 [368,3]
DEPTH	20.00 [508]	20.00 [508]	20.75 [527]	20.75 [527]
HEIGHT	20.00 [508]	20.00 [508]	20.00 [508]	20.00 [508]

SLIDE SPECIFICATIONS				
SLIDE MANUFACTURER	ACCURIDE			
SLIDE PART NUMBER	EW3832-927	RELEASE PART NUMBER	N/A	
SLIDE TYPE	BALL BEARING	SLIDE EXTENSION	22"	MAX WEIGHT RATING
SLIDE CLOSING	NORMAL	SLIDE LENGTH	19.75	
SLIDE MOUNTING	SIDE	SLIDE FINISH	WHITE	75 LB

CUSTOMER DRAWING

This drawing is the property of Rev-A-Shelf (RAS) and is disclosed in confidence to the extent its subject matter is original to RAS. Any vendor receiving this drawing from RAS shall hold and use this drawing for the sole benefit of RAS and shall not disclose it to, or use or reproduce it for any third party, or perform any act adverse to the interest of RAS with respect to this drawing without the express written permission of RAS. Vendors shall not revise any physical, dimensional or performance characteristic unless authorized by Rev-A-Shelf Engineering.

REV.	DATE	BY	DESCRIPTION OF CHANGE

INCH [MM]	AMERICAN PROJECTION	DRAWN	BY	DATE	REV-A-SHELF, INC.
			KRR	12-20-18	
					SIZE
					B
					DRAWING NO.
					HPRV-1520 S
					SCALE
					0.250
					FINISH
					PART NO.
					HPRV-1520 S
					SHEET
					2 OF 2

TOLERANCES
 MAT. DEC.
 (WOOD) .XX ±.03 [.8mm]
 (OTHER) .XX ±.02 [.5mm]
 (ALL) .XXX ±.005 [.13 mm]
 FRACTIONS ±1/32 [.8 mm]

ANGLES
 ±1/2°