

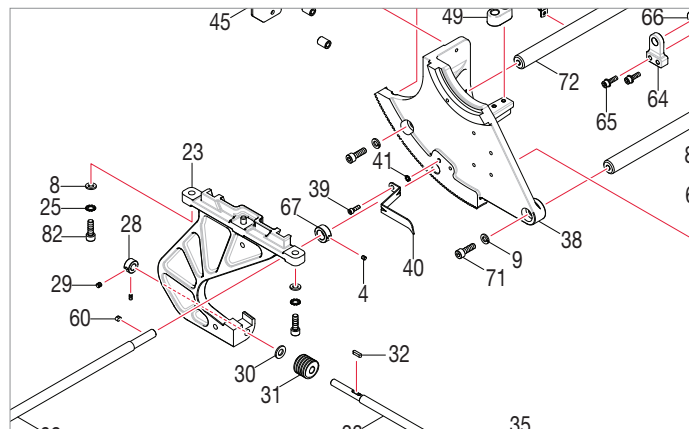
# *SawStop*®

## 10" CONTRACTOR SAW

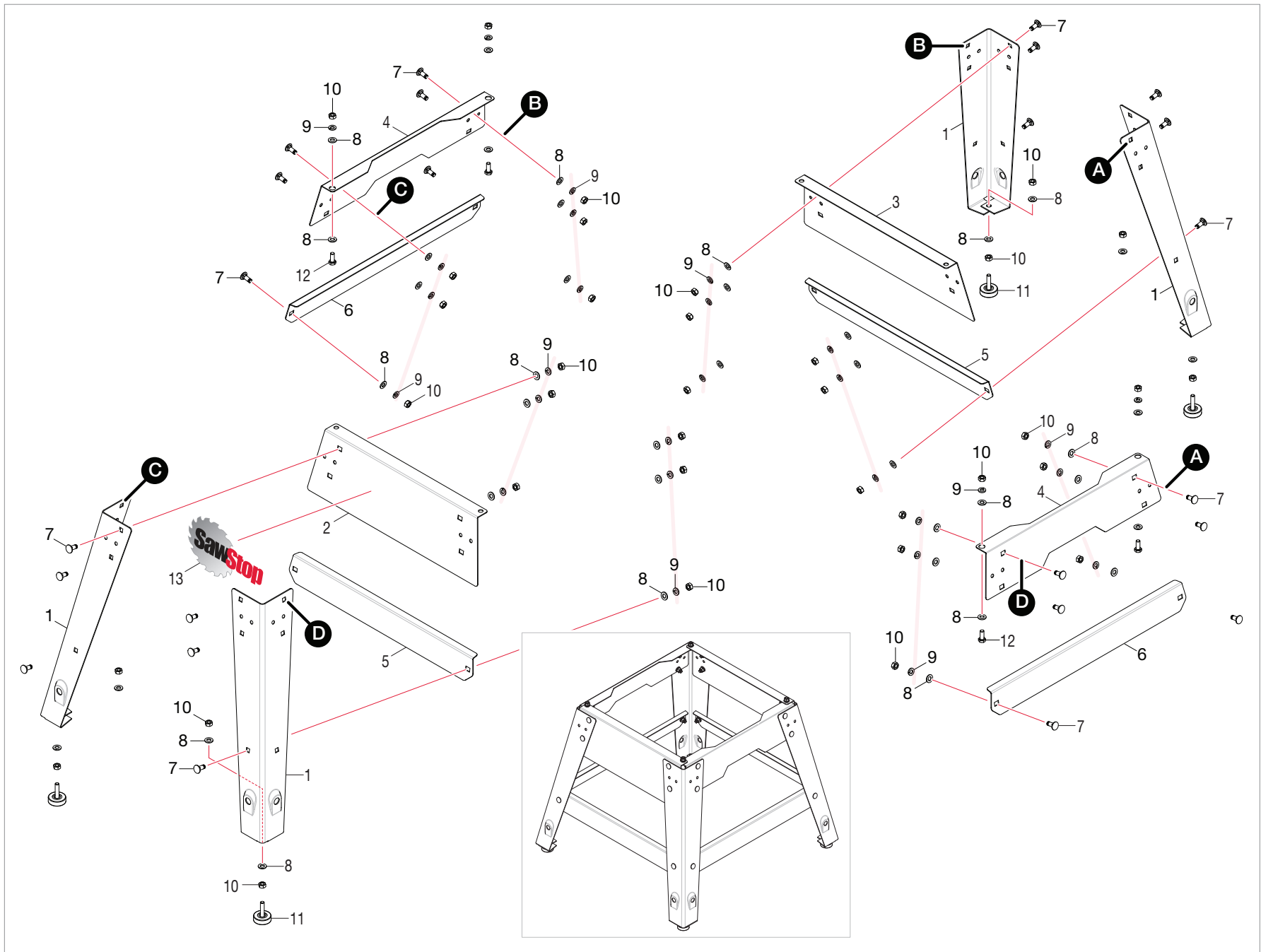
CNS™

### PARTS LISTS

Models CNS175, CNS175-AU



# STAND ASSEMBLY

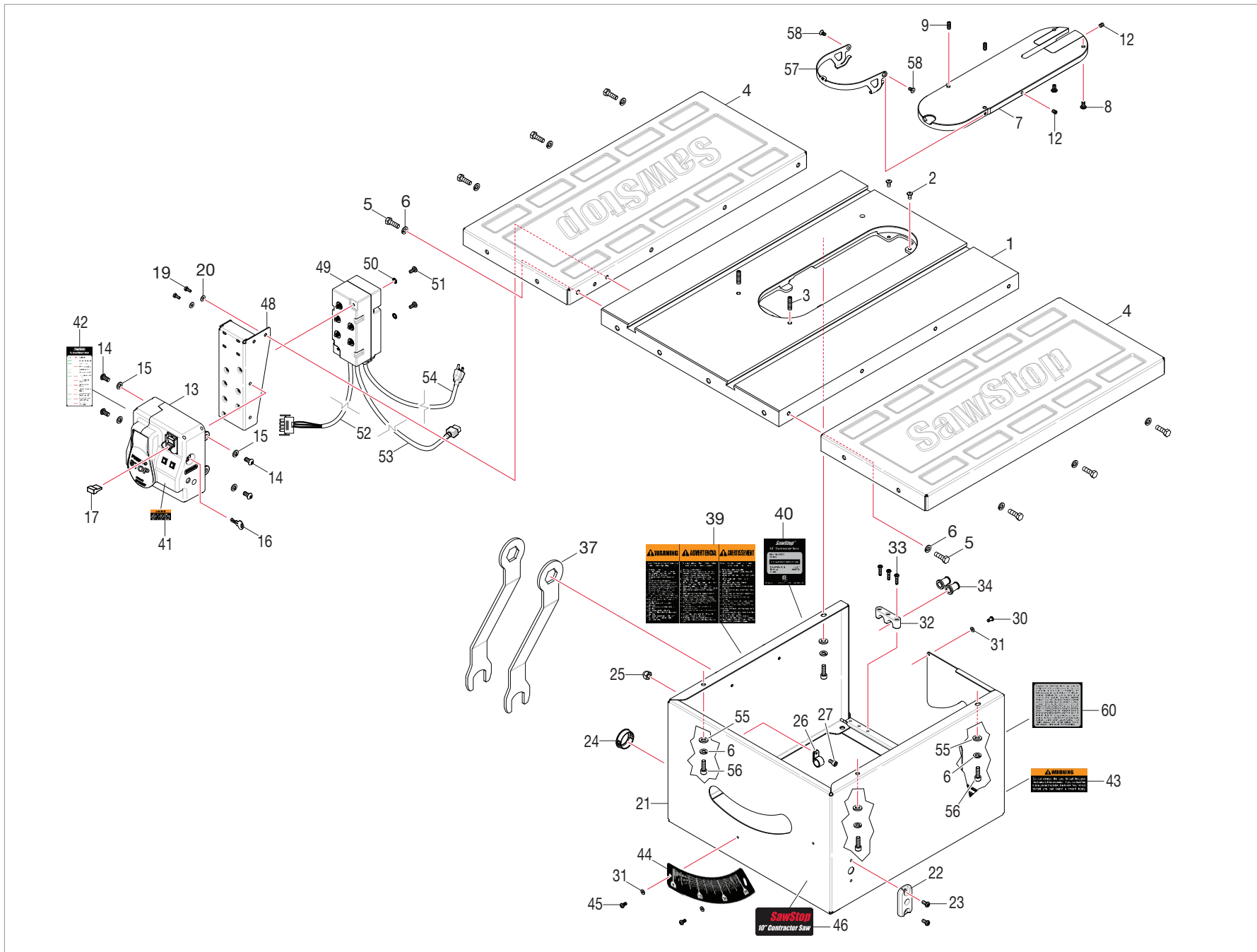


# STAND ASSEMBLY

No.	Description	Part No.	Qty.
	Stand Assembly	CNS-07-000	1
1	Stand Leg	CNS-07-001	4
2	Stand Front Panel	CNS-07-002	1
3	Stand Rear Panel	CNS-07-003	1
4	Stand Side Panel	CNS-07-004	2
5	Stand Front/Rear Bracket	CNS-07-005	2
6	Stand Side Bracket	CNS-07-006	2

7	M8x1.25x20 Carriage Bolt	CNS-07-007	24
8	M8x16x2 Washer	CNS-07-008	40
9	M8 Lock Washer	CNS-07-009	28
10	M8x1.25 Hex Nut	CNS-07-010	36
11	Leveling Foot	CNS-07-011	4
12	M8x1.25x20 Hex Head Bolt	CNS-07-012	4
13	SawStop Label	CNS-07-257	1

# HOUSING AND TABLE



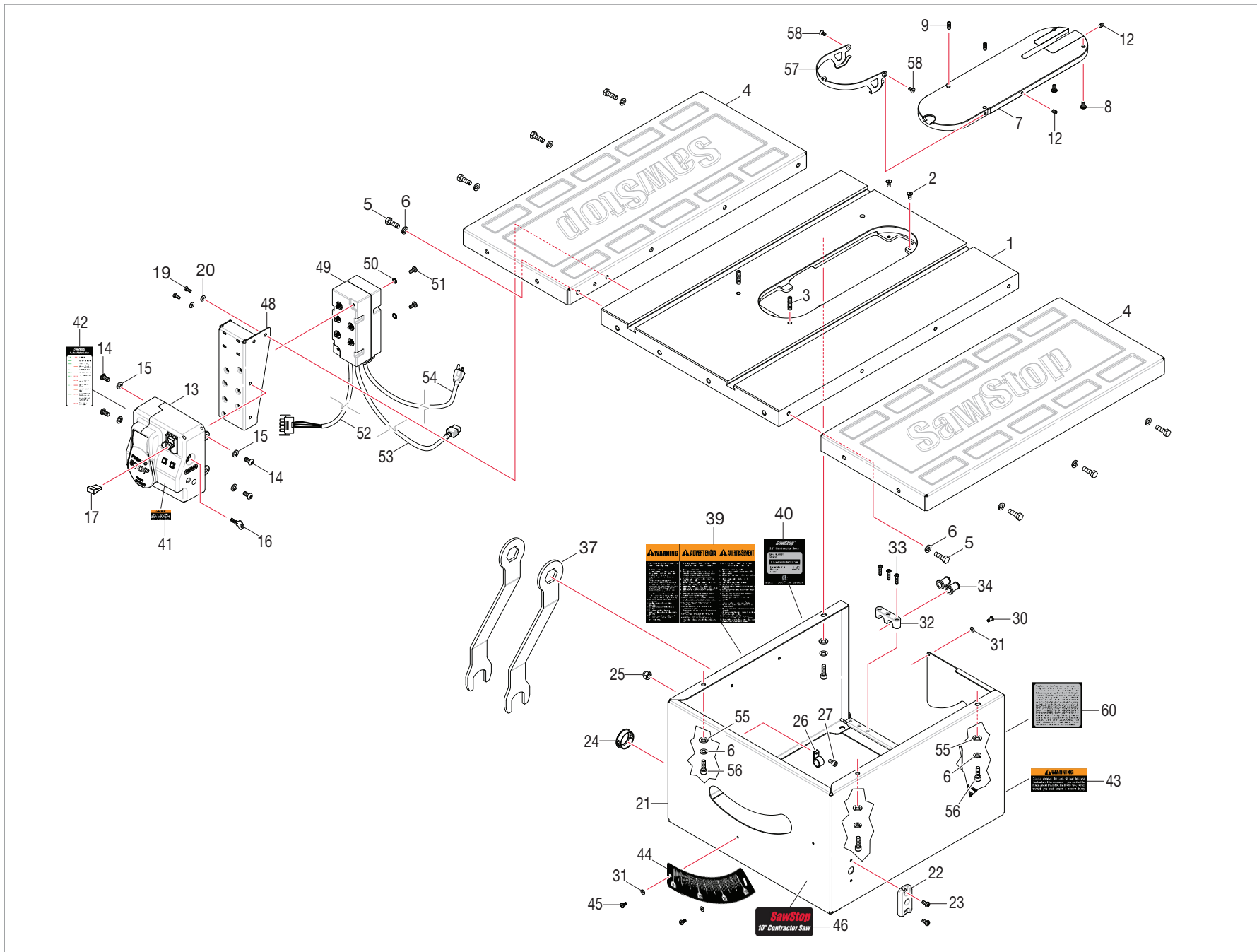
# HOUSING AND TABLE

No.	Description	Part No.	Qty.
1	Table	CNS-07-013	1
2	Rear Lock Down Screw for Insert	CNS-07-014	2
3	M6x1.0x20 Set Screw	CNS-07-015	2
4	Standard Extension Wing	CNS-07-016	2
5	M8x1.25x16 Hex Head Bolt	CNS-07-018	8
6	M8 Lock Washer	CNS-07-019	12
7	Lock-Down Standard Insert Assembly (complete)	TSI-SLD	1
8	M6x1.0x9.5 Insert Leveling Screw	CNS-07-021	2
9	M6x1.0x14 Set Screw	CNS-07-022	2
12	M6x1.0x8 Set Screw	CNS-07-025	2
13	Switch Box Assembly (includes items 16-17, 41-42)	CNS-07-026	1
14	M8x1.25x12 Button Head Socket Screw	CNS-07-027	4
15	M8 Lock Washer	CNS-07-028	4
16	Bypass Key	CNS-07-029	2
17	Switch Box Lock Out Key	CNS-07-030	1
19	M6x1.0x20 Hex Head Bolt	CNS-07-032	2
20	M6x13x1 Washer	CNS-07-033	2
21	Cabinet	CNS-07-034	1
22	Tilt Shaft Mounting Bracket	CNS-07-035	1
23	M6x1.0x8 Button Head Socket Screw	CNS-07-036	2
24	Switch Box Cable Grommet	CNS-07-037	1

25	M5x0.8 Hex Cap Nut	CNS-07-038	1
26	Switch Box Cable Clamp	CNS-07-039	1
27	M5x0.8x8 Socket Head Cap Screw	CNS-07-040	1
30	M5x0.8x12 Pan Head Phillips Screw	CNS-07-043	1
31	M5x10x1 Washer	CNS-07-044	3
32	Rear Cable Clamp	CNS-07-045	1
33	M5x0.8x20 Pan Head Phillips Screw	CNS-07-046	3
34	Rear Cable Grommet	CNS-07-047	2
37	Blade Wrench	CNS-07-050	2
39	Main Warning Label	CNS-07-052	1
40	Specification Label (CNS175)	CNS-07-053	1
	Specification Label (CNS175-KR)	CNS-14-001	
	Specification Label (CNS175-CH)	CNS-13-003	
	Specification Label (CNS175-AU)	CNS-15-001	
41	Main Power Label	CNS-07-054	1
42	System Status Label	CNS-07-055	1
43	Dust Shroud Warning Label	CNS-07-256	1
44	Tilt Angle Scale	CNS-08-001	1
45	M5x0.8x10 Pan Head Phillips Screw	CNS-08-002	2
46	Contractor Saw Label	CNS-08-003	1
48	Switch Box Mounting Bracket	CNS-09-001	1

(cont.)

# HOUSING AND TABLE (CONT.)

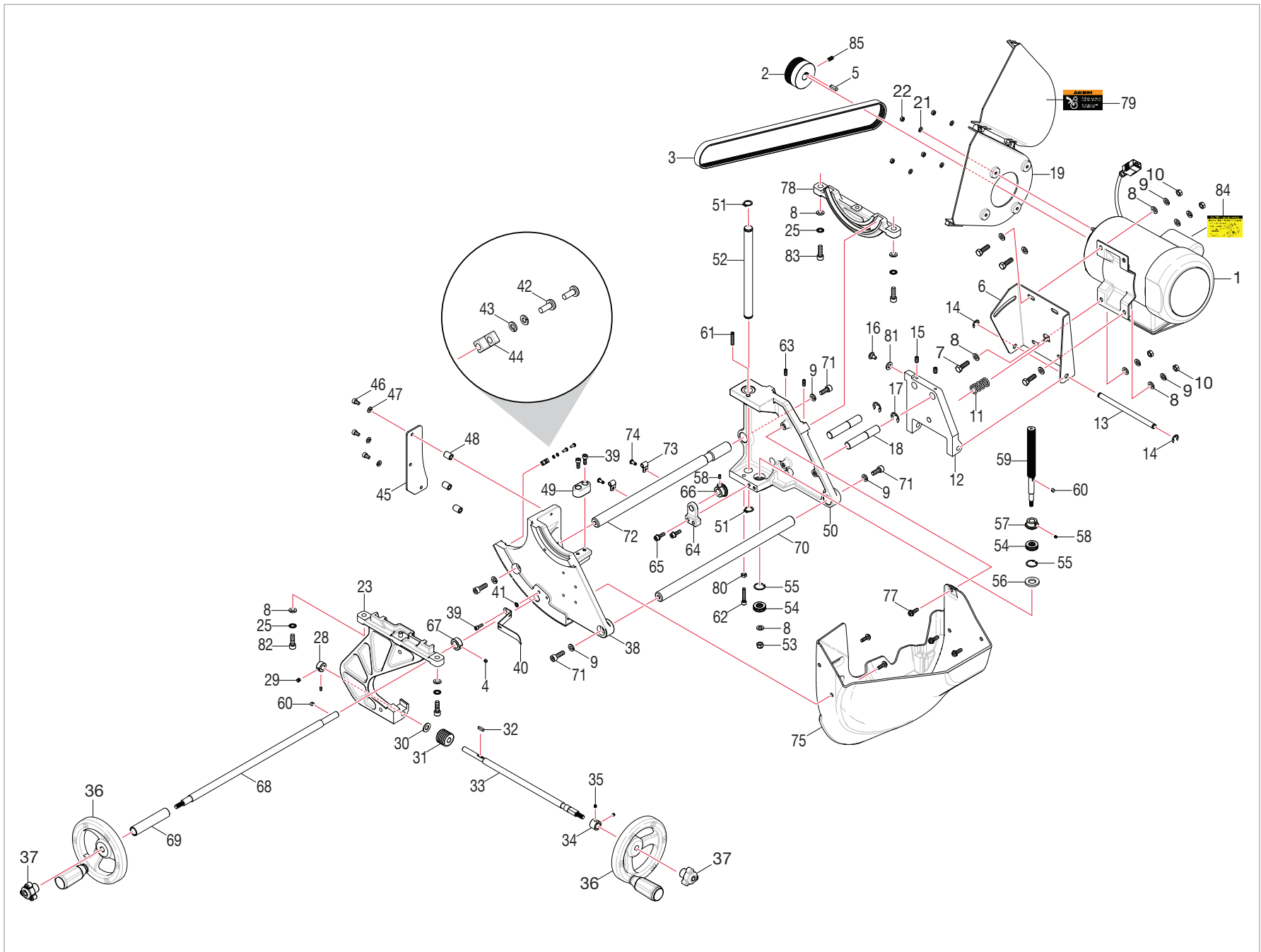


## HOUSING AND TABLE (CONT.)

49	115V Contractor Box Assembly (includes items 48, 50-54)	CNS-WA-012	1
	230V Contractor Box Assembly (includes items 48, 50-54)	CNS-WA-014	
	240/50 Hz Contractor Box Assembly (Australia only - includes items 48, 50-54)	CNS-WA-013	
	220V/50 Hz Contactor Box Assembly (CNS175-CH only - includes items 48, 50-54)	CNS-WA-034	
	220V/60 Hz Contactor Box Assembly (CNS175-KR only - includes items 48, 50-54)	CNS-WA-031	
50	M5 External Tooth Lock Washer	CNS-09-002	2
51	M5x0.8x8 Button Head Phillips Screw	CNS-09-003	2
52	Motor Control Cable Assembly	CNS-09-004	1

53	Motor Cable Assembly	CNS-09-005	1
54	115V Main Power Cable Assembly	CNS-09-006	1
	230V Main Power Cable Assembly	CNS-09-007	
	240V/50 Hz Main Power Cable Assembly (Australia only)	CNS-09-008	
	220V/50 Hz Main Power Cable Assembly (China only)	CNS-13-002	
55	M8x16x2 Washer	CNS-09-009	4
56	M8x1.25x18 Socket Head Cap Screw	CNS-09-010	4
57	Table Insert Lock-Down Lever	CNS-10-001	1
58	M4x0.7x10 Flat Head Phillips Screw	CNS-10-002	2
60	Patent Label	CNS-11-001	1

# INTERNAL ASSEMBLY





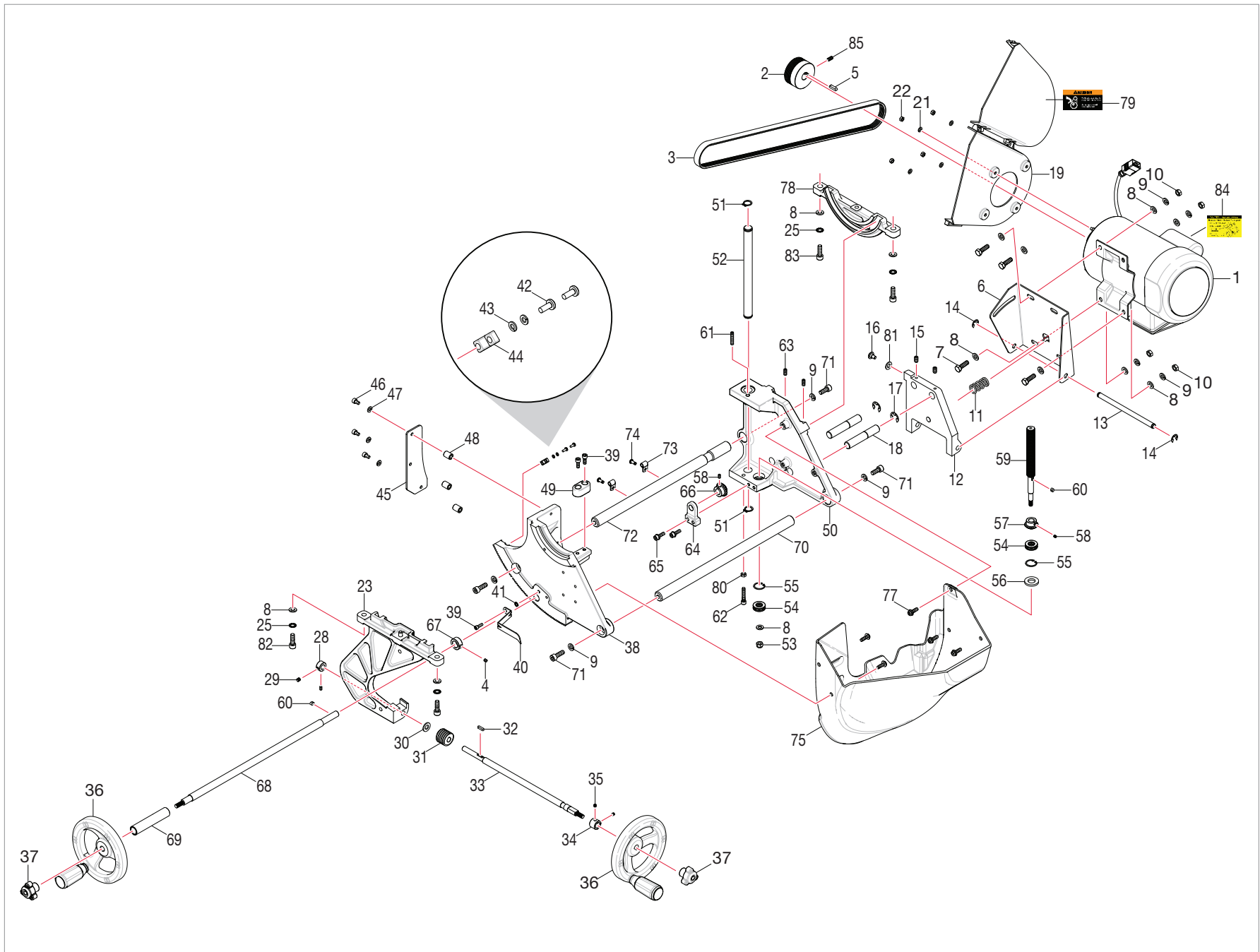
# INTERNAL ASSEMBLY

No.	Description	Part No.	Qty.
1	1.75HP, 1PH, 115/230V, 60Hz, TEFC Motor (CNS175)	CNS-07-056	1
	1.75HP, 1PH, 208-240V, 50Hz, TEFC Motor (CNS175-AU)	CNS-08-011	
	1.75HP, 1PH, 220V, 50Hz TEFC Motor (CNS175-CH)	CNS-14-002	
2	Motor Pulley	CNS-07-057	1
	Motor Pulley (50 Hz motors only)	CNS-08-009	
3	Motor Belt	CNS-07-058	1
	Motor Belt (50 Hz motors with a serial number between C083800001 - C132799999 only)	CNS-08-012	
4	M5x0.8x8 Set Screw	CNS-07-059	1
5	M5x5x30 Key	CNS-07-060	1
6	Motor Mounting Bracket	CNS-07-061	1
7	M8x1.25x20 Hex Head Bolt	CNS-07-062	4
8	M8x16x2 Washer	CNS-07-063	13
9	M8 Lock Washer	CNS-07-064	8
10	M8x1.25 Hex Nut	CNS-07-065	4
11	Motor Mount Spring	CNS-07-066	1
12	Motor Mount Plate	CNS-07-067	1
13	Motor Mount Axle	CNS-07-068	1
14	10mm E-Style Retaining Ring	CNS-07-069	2
15	1/4"-20 NC x 1/4" Set Screw	CNS-07-070	2
16	M6x12 Button Head Phillips Shoulder Screw	CNS-07-071	1
17	13mm E-Style Retaining Ring	CNS-07-072	2
18	Motor Mounting Pin	CNS-07-073	2
19	Belt Guard Assembly	CNS-07-074	1
21	M5x12x1 Washer	CNS-07-076	4

22	M5x0.8 Hex Nut	CNS-07-077	4
23	Front Trunnion Bracket	CNS-07-078	1
25	M8 External Tooth Lock Washer	CNS-07-080	4
28	Tilt Shaft Inner Collar	CNS-07-083	1
29	M5x0.8x5 Set Screw	CNS-07-084	2
30	M10x20x2 Washer	CNS-07-085	1
31	Tilt Worm Gear	CNS-07-086	1
32	M4x4x16 Key	CNS-07-087	1
33	Tilt Control Shaft	CNS-07-088	1
34	Tilt Shaft Outer Collar	CNS-07-089	1
35	M6x1.0x8 Set Screw	CNS-07-090	2
36	Handwheel	CNS-07-091	2
37	Lock Knob	CNS-07-092	2
38	Front Trunnion	CNS-07-093	1
39	M6x1.0x12 Socket Head Cap Screw	CNS-07-094	3
40	Tilt Indicator	CNS-07-095	1
41	M6 External Tooth Lock Washer	CNS-07-096	1
42	M4x0.7x10 Pan Head Phillips Screw	CNS-07-097	2
43	M4 Lock Washer	CNS-07-098	2
44	Front Trunnion Cable Clamp	CNS-07-099	1
45	Arbor Guide Plate	CNS-07-100	1
46	M6x1.0x30 Socket Head Cap Screw	CNS-07-101	3
47	M6 Lock Washer	CNS-07-102	3
48	Arbor Guide Plate Spacer	CNS-07-103	3
49	Trunnion Brace Bumper	CNS-07-104	1
50	Rear Trunnion	CNS-07-105	1
51	M17 External Retaining Ring	CNS-07-106	2
52	Elevation Control Shaft	CNS-07-107	1
53	M8x1.25 Lock Nut	CNS-07-108	1

(cont.)

# INTERNAL ASSEMBLY (CONT.)

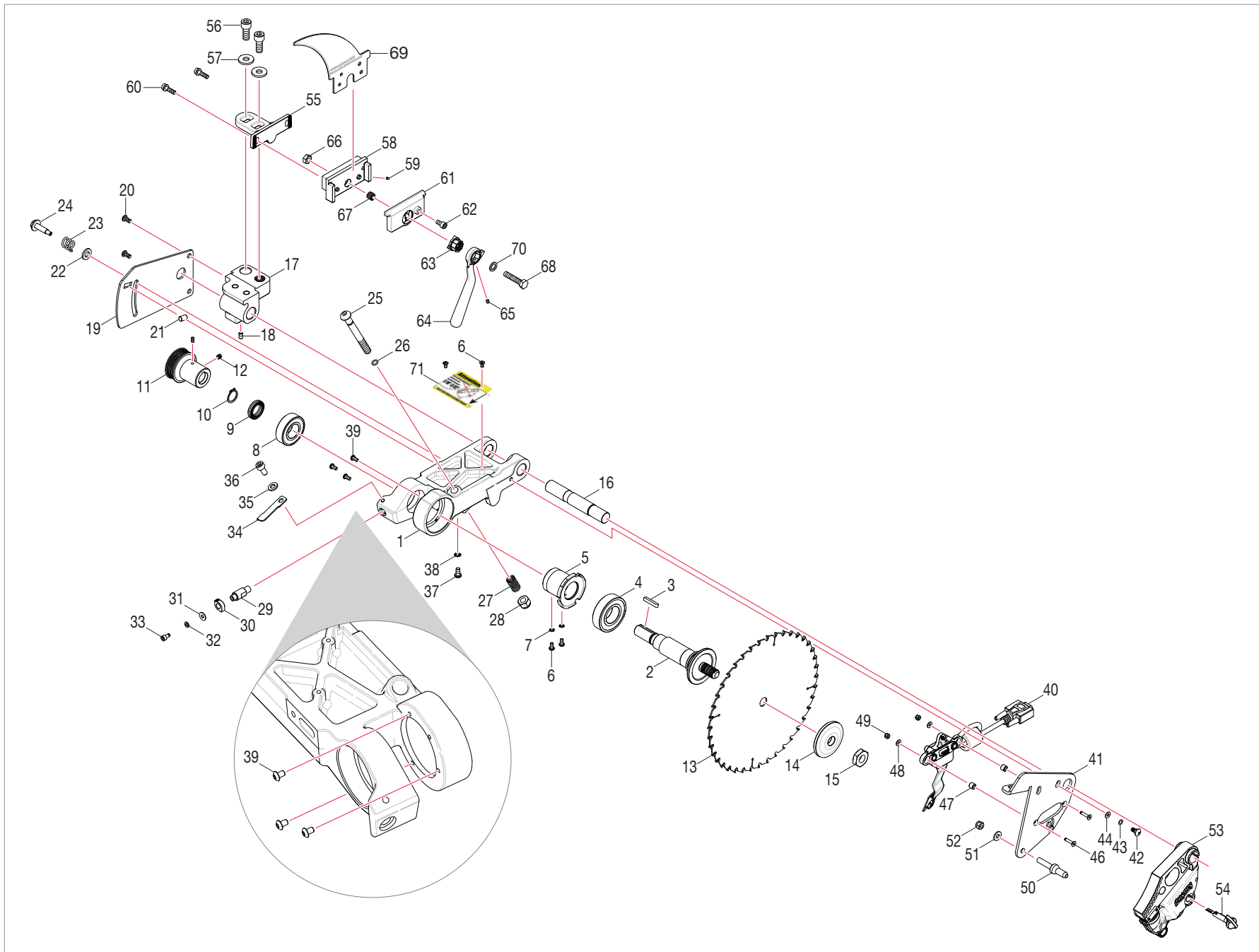


## INTERNAL ASSEMBLY (CONT.)

54	Elevation Threaded Rod Bearing	CNS-07-109	2
55	24mm Internal Retaining Ring	CNS-07-110	2
56	M10x23x3 Washer	CNS-07-111	1
57	Left Hand Miter Gear	CNS-07-112	1
58	M5x0.8x5 Set Screw	CNS-07-113	2
59	Elevation Threaded Rod	CNS-07-114	1
60	M4x4x10 Key	CNS-07-115	2
61	M6x1.0x40 Set Screw	CNS-07-116	1
62	M6x1.0x40 Lower Elevation Limit Socket Head Screw	CNS-07-117	1
63	M6x1.0x14 Set Screw	CNS-07-118	2
64	Elevation Control Shaft Mounting Bracket	CNS-07-119	1
65	M6x1.0x20 Socket Head Cap Screw (includes M6 washer)	CNS-07-120	2
66	Right Hand Miter Gear	CNS-07-121	1
67	Elevation Control Shaft Collar	CNS-07-122	1
68	Elevation Control Shaft	CNS-07-123	1

69	Spacer Tube	CNS-07-124	1
70	Right Torque Shaft	CNS-07-125	1
71	M8x1.25x20 Socket Head Cap Screw	CNS-07-126	4
72	Left Torque Shaft	CNS-07-127	1
73	Cable Clamp	CNS-07-128	2
74	M5x0.8x12 Pan Head Phillips Screw	CNS-07-129	2
75	Dust Shroud	CNS-07-130	1
77	M6x1.0x12 Button Head Socket Screw (includes M6 washer)	CNS-08-023	5
78	Rear Trunnion Bracket	CNS-07-134	1
79	Belt Guard Warning Label	CNS-07-135	1
80	M6x1.0 Hex Nut	CNS-08-015	1
81	M10x19x1.5 Plastic Washer	CNS-08-021	1
82	M8x1.25x30 Hex Head Screw	CNS-09-011	2
83	M8x1.25x35 Hex Head Screw	CNS-09-012	2
84	CNS Remove Motor Label	CNS-11-002	1
85	M5x0.8x16 Set Screw	CNS-15-002	1

# ARBOR AND QUICK-RELEASE CLAMP



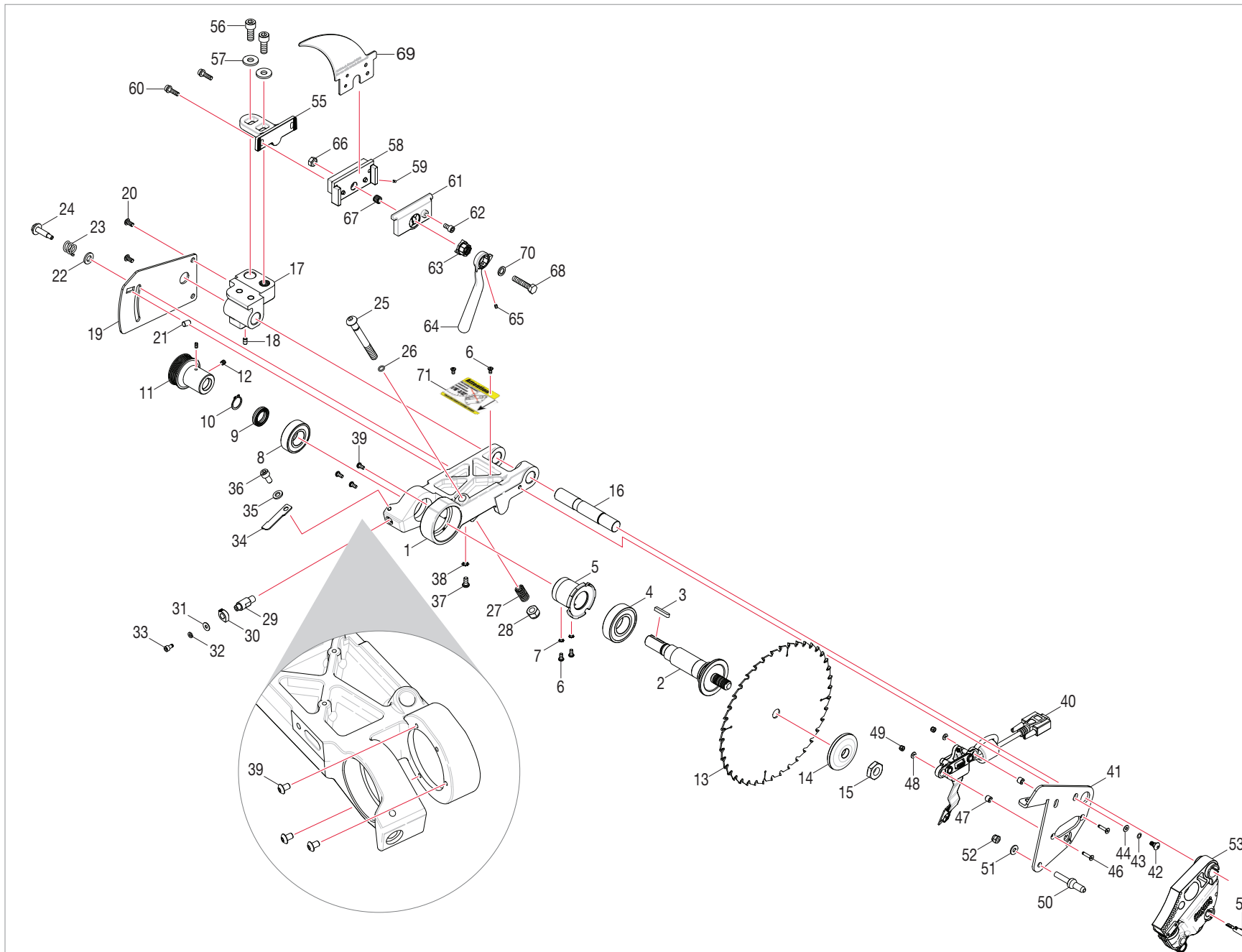
# ARBOR AND QUICK-RELEASE CLAMP

No.	Description	Part No.	Qty.
1	Arbor Block	CNS-07-136	1
2	Arbor	CNS-07-137	1
3	M5x5x30 Key	CNS-07-138	1
4	Main Arbor Bearing	CNS-07-139	1
5	Electrode Shell	CNS-07-140	1
6	M4x0.7x6 Pan Head Phillips Screw	CNS-07-141	4
7	M4 External Tooth Lock Washer	CNS-07-142	2
8	Second Arbor Bearing	CNS-07-143	1
9	Arbor Spacer	CNS-07-144	1
10	M20 External Retaining Ring	CNS-07-145	3
11	Arbor Pulley	CNS-07-146	1
12	M5x0.8x8 Set Screw	CNS-07-147	2
13	Combination Saw Blade	CNS-07-148	1
14	Arbor Washer	CNS-07-149	1
15	Arbor Nut	CNS-07-150	1
16	Pivot Shaft	CNS-07-151	1
17	Elevation Block	CNS-07-152	1
18	M6x1.0x8 Set Screw	CNS-07-153	1
19	Retraction Bracket	CNS-07-154	1
20	M8x1.25x16 Button Head Socket Screw	CNS-07-155	2
21	Retraction Guide	CNS-07-156	1
22	M8x16x2 Washer	CNS-07-157	1
23	Retraction Spring	CNS-07-158	1
24	M6x33 Hex Head Shoulder Screw	CNS-07-159	1
25	M12 Brake Positioning Bolt	CNS-07-160	1
26	M8 O-Ring	CNS-07-161	1
27	Cartridge Bracket Spring	CNS-07-162	1

28	M12x1.75 Lock Nut	CNS-07-163	1
29	Arbor Guide Pin	CNS-07-164	1
30	Arbor Guide Cam	CNS-07-165	1
31	M5x14x1 Washer	CNS-07-166	1
32	M5 Lock Washer	CNS-07-167	1
33	M5x0.8x10 Socket Head Cap Screw	CNS-07-168	1
34	Arbor Guide Spring	CNS-07-169	1
35	M6x13x1 Washer	CNS-07-170	1
36	M6x1.0x12 Socket Head Cap Screw	CNS-07-171	1
37	M5x0.8x10 Button Head Socket Screw	CNS-07-172	1
38	M5 External Tooth Lock Washer	CNS-07-173	1
39	8-32x1/4" Button Head Socket Screw	CNS-07-174	3
40	Cartridge Cable	CNS-07-175	1
41	Cartridge Bracket	CNS-07-176	1
42	M8x14 Button Head Shoulder Socket Bolt	CNS-07-177	1
43	M9x12.5 Wave Washer	CNS-07-178	1
44	M8x16x1 Washer	CNS-07-179	1
46	M4x0.7x20 Flat Head Socket Screw	CNS-07-181	2
47	Cartridge Bracket Spacer	CNS-07-182	1
48	M4x14x1 Washer	CNS-07-183	2
49	M4x0.7 Lock Nut	CNS-07-184	2
50	Cartridge Positioning Pin	CNS-07-185	1
51	M8x20x2 Washer	CNS-07-186	1
52	M8x1.25 Lock Nut	CNS-07-187	1
53	Brake Cartridge for 10" Blade	TSBC-10R2	1
54	Brake Cartridge Key	CNS-07-189	1
55	Spreader Mounting Plate	CNS-07-190	1

(cont.)

# ARBOR AND QUICK-RELEASE CLAMP (CONT.)

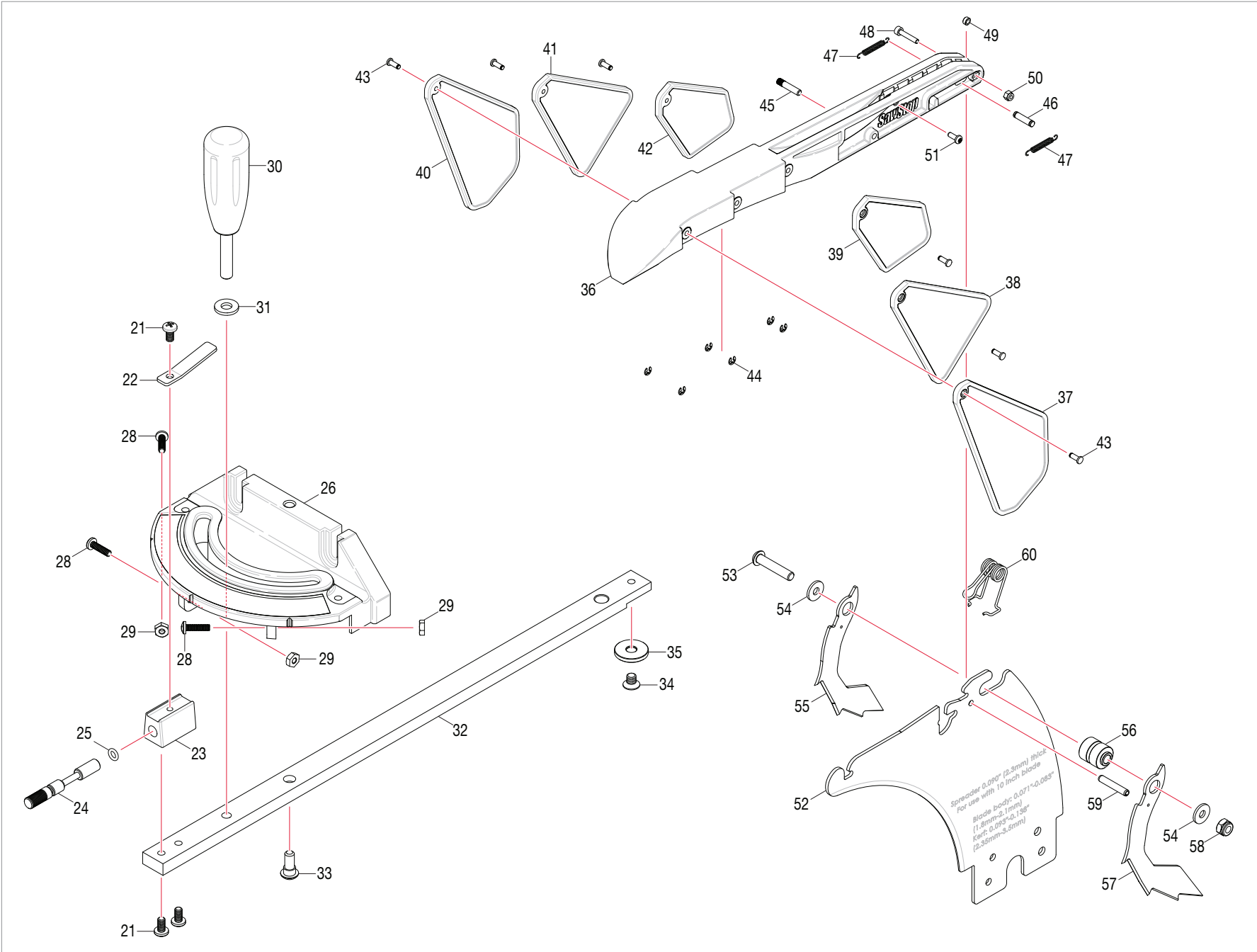


## ARBOR AND QUICK-RELEASE CLAMP (CONT.)

56	M10x1.5x25 Socket Head Cap Screw	CNS-07-191	2
57	M10x25x3 Washer	CNS-07-192	2
58	Spreader Positioning Plate	CNS-07-193	1
59	M3x0.5x6 Set Screw (for saws with a serial number prior to C154900001)	CNS-07-194	1
	M4x0.7x6 Set Screw (for saws with a serial number C154900001 or later)	CNS-15-003	
60	M6x1.0x20 Socket Head Cap Screw (includes M6 washer)	CNS-07-195	2
61	Clamping Plate	CNS-07-196	1

62	M6x1.0x12 Socket Head Cap Screw	CNS-07-197	1
63	Clamping Plate Cam Bushing	CNS-07-198	1
64	Clamp Handle	CNS-07-199	1
65	M4x0.7x6 Set Screw	CNS-07-200	1
66	M8x1.0 Hex Nut	CNS-07-201	1
67	Riving Knife Clamp Spring	CNS-07-202	1
68	M8x1.0x40 Hardened Hex Head Bolt	CNS-07-203	1
69	Riving Knife	CNS-10-004	1
70	M8 Polyurethane O-Ring	CNS-08-014	1
71	Blade Spacing Attention Tag	CNS-08-016	1

# BLADE GUARD AND MITER GAUGE



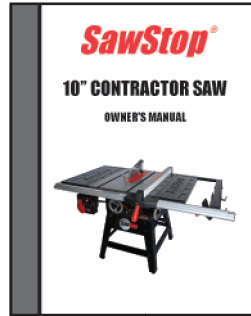


# BLADE GUARD AND MITER GAUGE

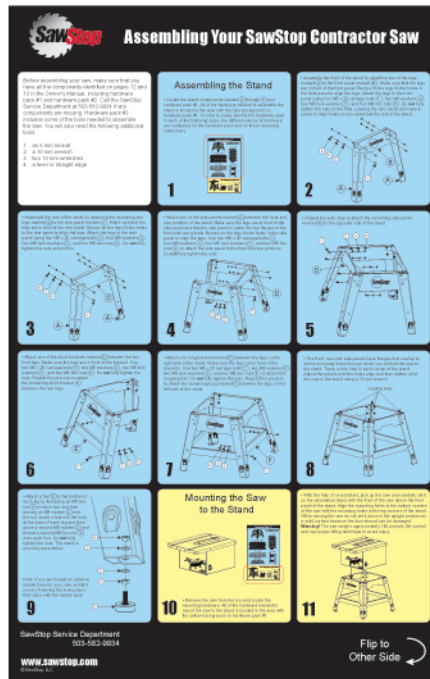
No.	Description	Part No.	Qty.
	Miter Gauge Assembly	CNS-07-226	1
21	3/16-24NCx3/8" Pan Head Phillips Screw	CNS-07-227	3
22	Angle Indicator	CNS-07-228	1
23	Mounting Block	CNS-07-229	1
24	Indexing Pin	CNS-07-230	1
25	M5 O-Ring	CNS-07-231	1
26	Miter Gauge Head	CNS-07-232	1
28	8-32x5/8" Pan Head Phillips Screw	CNS-07-234	3
29	8-32 Hex Nut	CNS-07-235	3
30	Miter Gauge Handle	CNS-07-236	1
31	M8x18x3 Washer	CNS-07-237	1
32	Miter Gauge Bar	CNS-07-238	1
33	Gauge Head Mounting Screw	CNS-07-239	1
34	1/4-20x5/16" Flat Head Phillips Screw	CNS-07-240	1
35	Retaining Disc	CNS-07-241	1
	Micro-Guard Blade Guard Assembly	TSG-MG	1
36	Top Guard	TSG-MG-001	1
37	Side Guard Front Right	TSG-MG-002	1
38	Side Guard Middle Right	TSG-MG-003	1
39	Side Guard Rear Right	TSG-MG-004	1

40	Side Guard Front Left	TSG-MG-005	1
41	Side Guard Middle Left	TSG-MG-006	1
42	Side Guard Rear Left	TSG-MG-007	1
43	Grooved Clevis Pin (3mm x 8mm)	TSG-MG-008	6
44	3mm E-Style Retaining Ring	TSG-MG-009	6
45	Front Dowel Pin (4mm x 20mm)	TSG-MG-010	1
46	Rear Grooved Pin (4mm x 15mm)	TSG-MG-011	1
47	Top Guard Extension Spring	TSG-MG-012	2
48	M3x0.5x16 Socket Head Cap Screw	TSG-MG-013	1
49	Rear Grooved Pin Spacer	TSG-MG-014	1
50	M3x0.5 Lock Nut	TSG-MG-015	1
51	M3x1.06x8 Pan Head Phillips Screw	TSG-MG-016	1
52	Spreader	TSG-MG-017	1
53	M6x1.0x30 Button Head Socket Screw	TSG-MG-018	1
54	M6x16x1.5 Washer	TSG-MG-019	2
55	Anti-Kickback Pawl Left	TSG-MG-020	1
56	Pawl Bushing	TSG-MG-021	1
57	Anti-Kickback Pawl Right	TSG-MG-022	1
58	M6x1.0 Lock Nut	TSG-MG-023	1
59	M4x25 Spring Pin	TSG-MG-024	1
60	Pawl Spring	TSG-MG-025	1
36-51	Complete Top Guard Assembly	TSG-MG-026	1

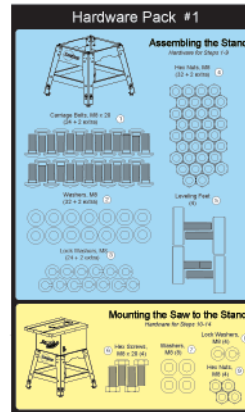
# LITERATURE, HARDWARE AND TOOLS



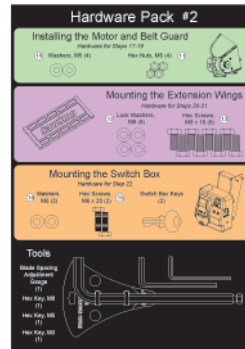
1



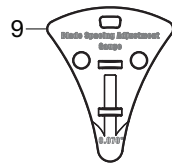
2



3



4



No.	Description	Part No.	Qty.
1	SawStop 10" Contractor Saw Owner's Manual	CNS-10-005	1
2	Assembly Instructions Poster	CNS-07-248	1
3	Hardware Pack #1	CNS-07-250	1
4	Hardware Pack #2 (includes items 6-9)	CNS-07-251	1
5	Push Stick	CNS-10-007	1
6	3 mm Hex Key	CB104 268	1
7	5 mm Hex Key	CB104 269	1
8	8 mm Hex Key Ball End	CB104 270	1
9	Blade Spacing Adjustment Gauge	CNS-07-255	1

# ACCESSORIES

SawStop recommends the following accessories for use with your SawStop® contractor saw. Contact your local authorized SawStop Dealer or SawStop at 1-866-SAWSTOP for more information.

Accessory	Part No.
<b>SawStop Brake Cartridges</b>	
Standard Brake Cartridge for 10 inch saw blades	TSBC-10R2
Dado Brake Cartridge for 8 inch dado sets	TSDC-8R2
<b>Saw Blades</b>	
40 Tooth Combination Saw Blade	CNS-07-148
60 Tooth Professional Saw Blade	CB104 184
Titanium Series 40-Tooth ATB Combination Rip Blade	BTS-R-40ATB
Titanium Series 80-Tooth HATB Plywood / Laminate Blade	BTS-P-80HATB
<b>Table Inserts</b>	
Phenolic Standard Zero-Clearance Table Insert Assembly - with lock-down lever	TSI-SLD
Phenolic Dado Zero-Clearance Table Insert Assembly - with lock-down lever	TSI-DLD
<b>Rip Fences and Extension Tables</b>	
Contractor Fence Assembly (includes fence and rails)	CNS-SFA
T-Glide™ Fence System - Professional Series Fence	TGP-FA
36 Inch Rails	TGP-R36A
36 Inch Extension Table (for use with 36 inch rails)	TGP-T36A
52 Inch Rails	TGP-R52A
52 Inch Extension Table (for use with 52 inch rails)	TGP-T52A
<b>Miscellaneous Accessories</b>	
Micro-Guard Blade Guard Assembly	TSG-MG
Dust Collecting Blade Guard Assembly	TSG-DC
Over-Am Dust Collection	TSA-ODC
Miter Gauge Assembly	CNS-07-226
Cast Iron Extension Wing	CNS-07-017
Cast Iron Extension Wing Mounting Hardware	CNS-07-258
Mobile Base	MB-CNS-000
Job Site Cart	CNS-JSC
30 Inch Out-Feed Table	OFT30-CNS-000
Dust Collection Panel Assembly	CNS-DCP
Sliding Table Attachment	TSA-SA48



SawStop, LLC  
11555 SW Myslony Street  
Tualatin, Oregon 97062 USA  
[www.sawstop.com](http://www.sawstop.com)

Main Phone - (503) 570-3200  
Service - (503) 582-9934  
Fax - (503) 570-3303  
Email: [info@sawstop.com](mailto:info@sawstop.com)