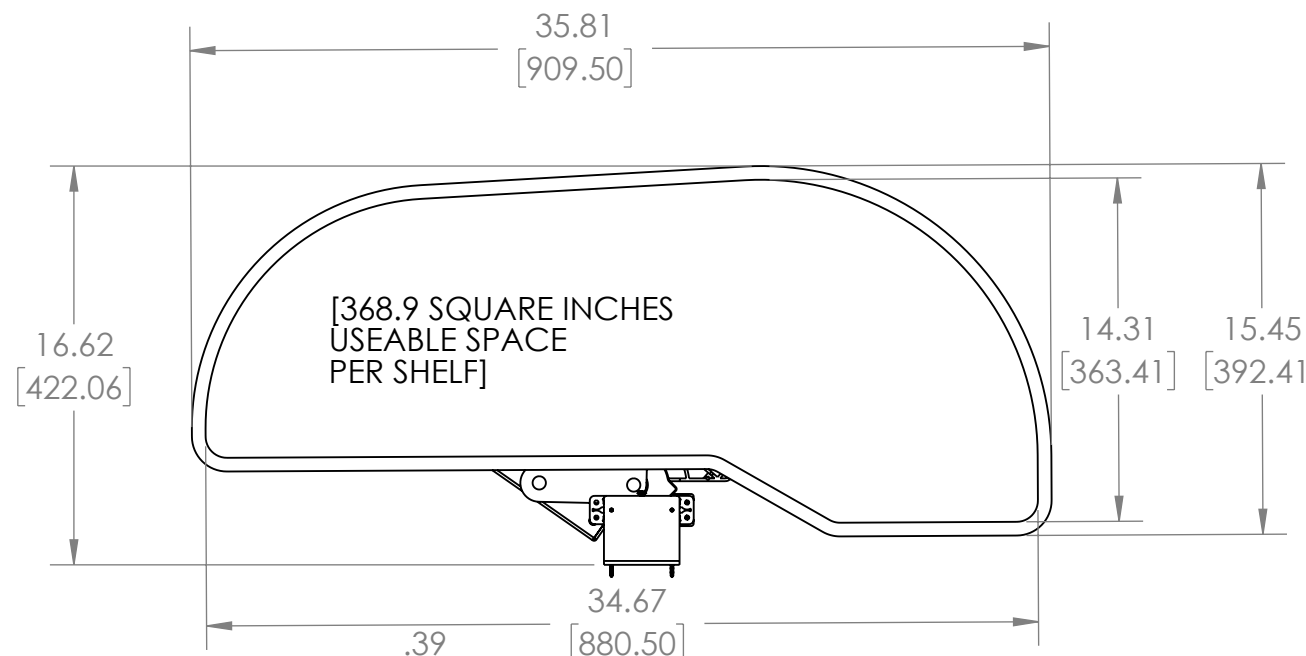


4

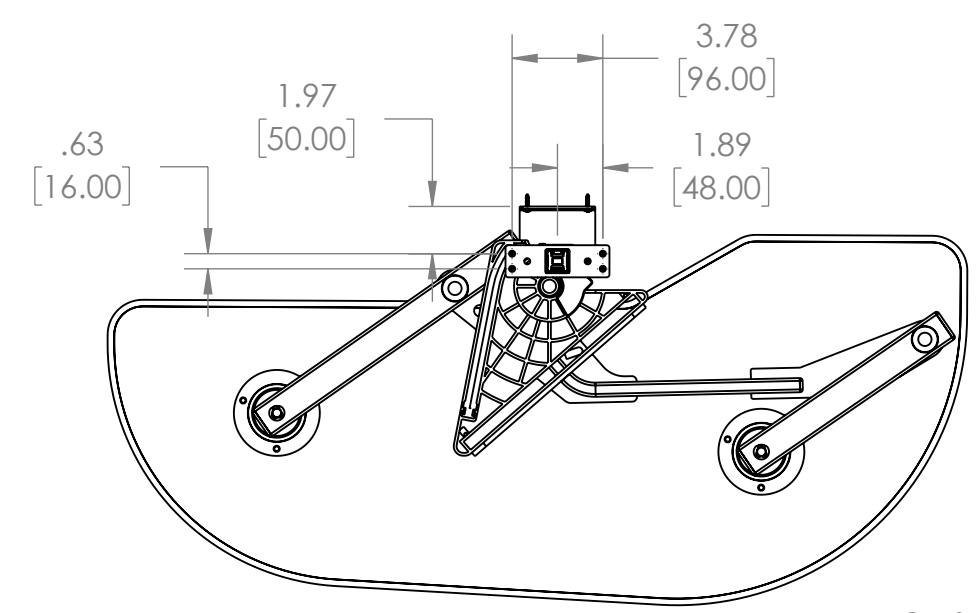
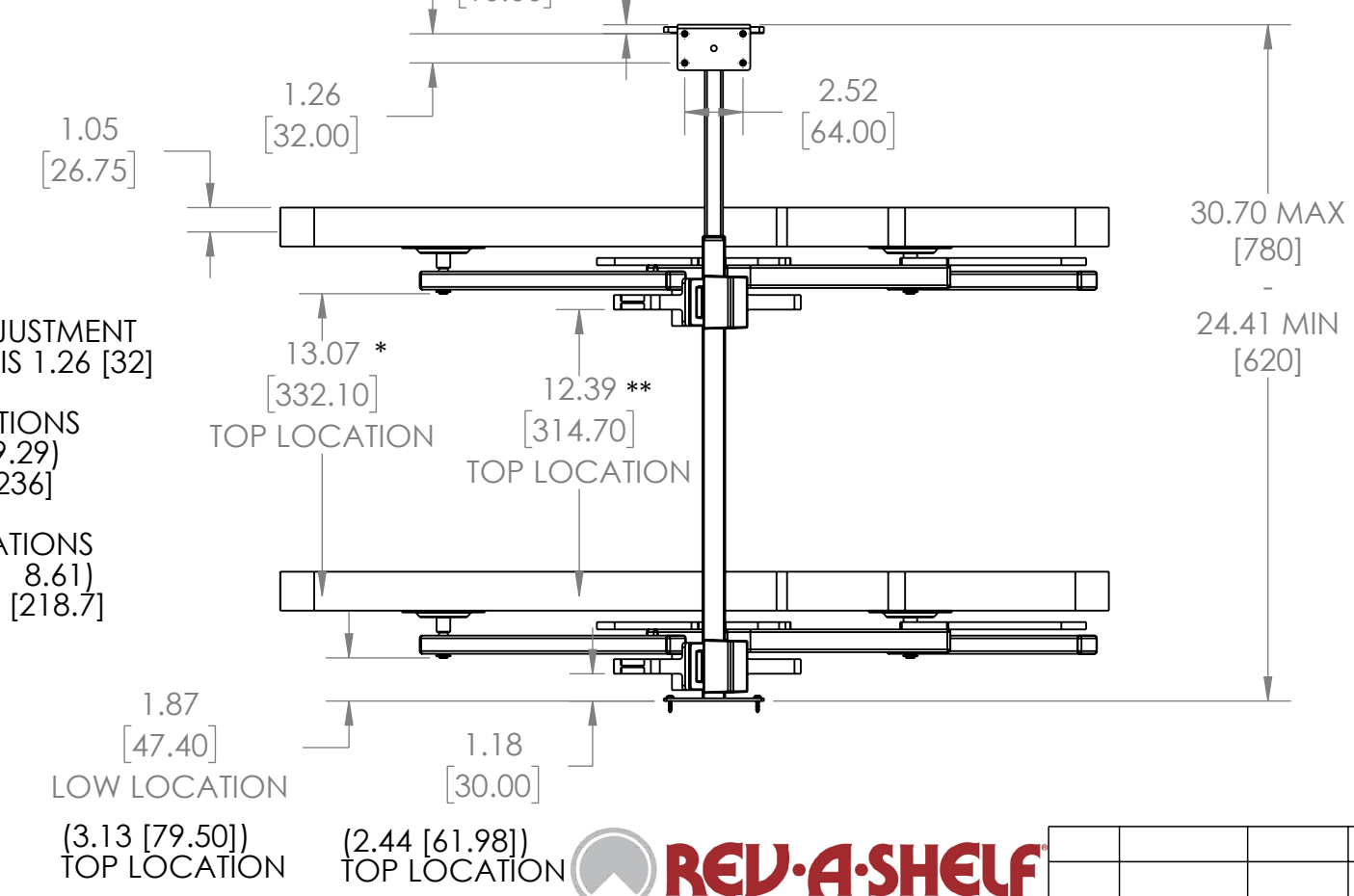
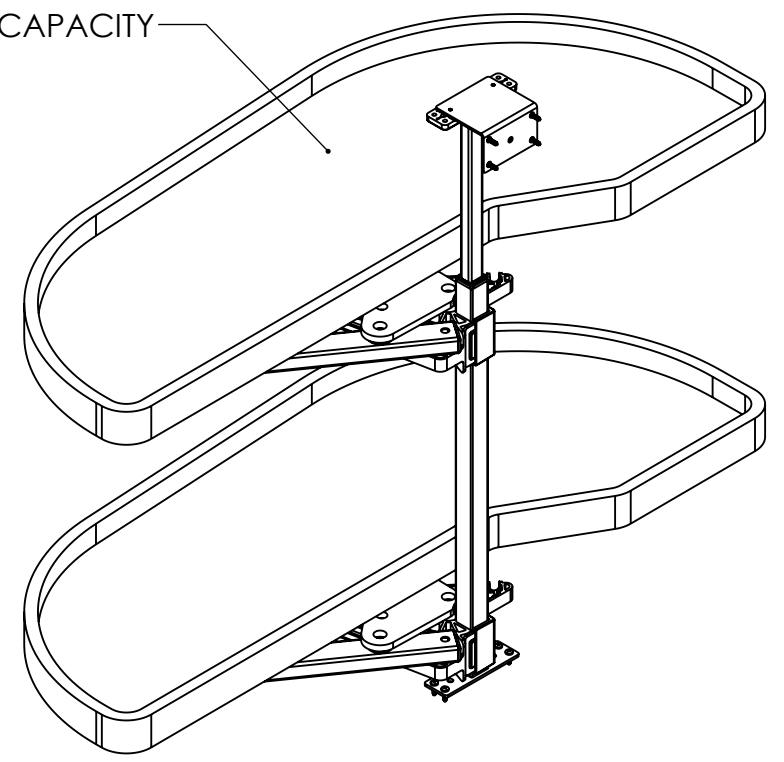
3

2

1



33 POUNDS (PER SHELF) CAPACITY



NOTE: SHELF ADJUSTMENT SPACING IS 1.26 [32]

\* (LOWER LOCATIONS 11.81, 10.55, 9.29) [300] [268] [236]

\*\* (LOWER LOCATIONS 11.13, 9.87, 8.61) [282.7] [250.7] [218.7]

BOTTOM VIEW

CUSTOMER DRAWING

UNCONTROLLED IF PRINTED

**PROPRIETARY AND CONFIDENTIAL**

This drawing is the property of Rev-A-Shelf LLC (RAS) and is disclosed in confidence to the extent its subject matter is original to RAS. Any vendor receiving this drawing from RAS shall hold and use this drawing for the sole benefit of RAS and shall not disclose it to, or use or reproduce it for any third party, or perform any act adverse to the interest of RAS with respect to this drawing without the express written permission of RAS. Vendors shall not revise any physical, dimensional or performance characteristic unless authorized by Rev-A-Shelf Engineering.

REV	DATE	BY	DESCRIPTION OF CHANGE

UNLESS OTHERWISE SPECIFIED:			
TOLERANCES = INCH/(MM)			
MAT. DEC.			
(WOOD) .XX +/--.03 [8mm]			
(OTHER) .XX +/--.02 [5mm]			
(ALL) .XXX +/--.005 [13 mm]			
FRACTIONS +/-1/32 [8 mm]			
ANGLES +/-1/2°			
First Angle Projection			
MATERIAL	FINISH		
DO NOT SCALE DRAWING	NAME	DATE	
DRAWN	KRR	1-22-24	

Description:		
2-TIER PULLOUT WOOD ORGANIZER RIGHT DOOR/BLIND LEFT		
PART NO. 4WLS87-15-R		
SIZE	DWG. NO.	REV
<b>B</b>	4WLS87-15-R	
SCALE: 1:8	WEIGHT:	SHEET 1 OF 3

4

3

2

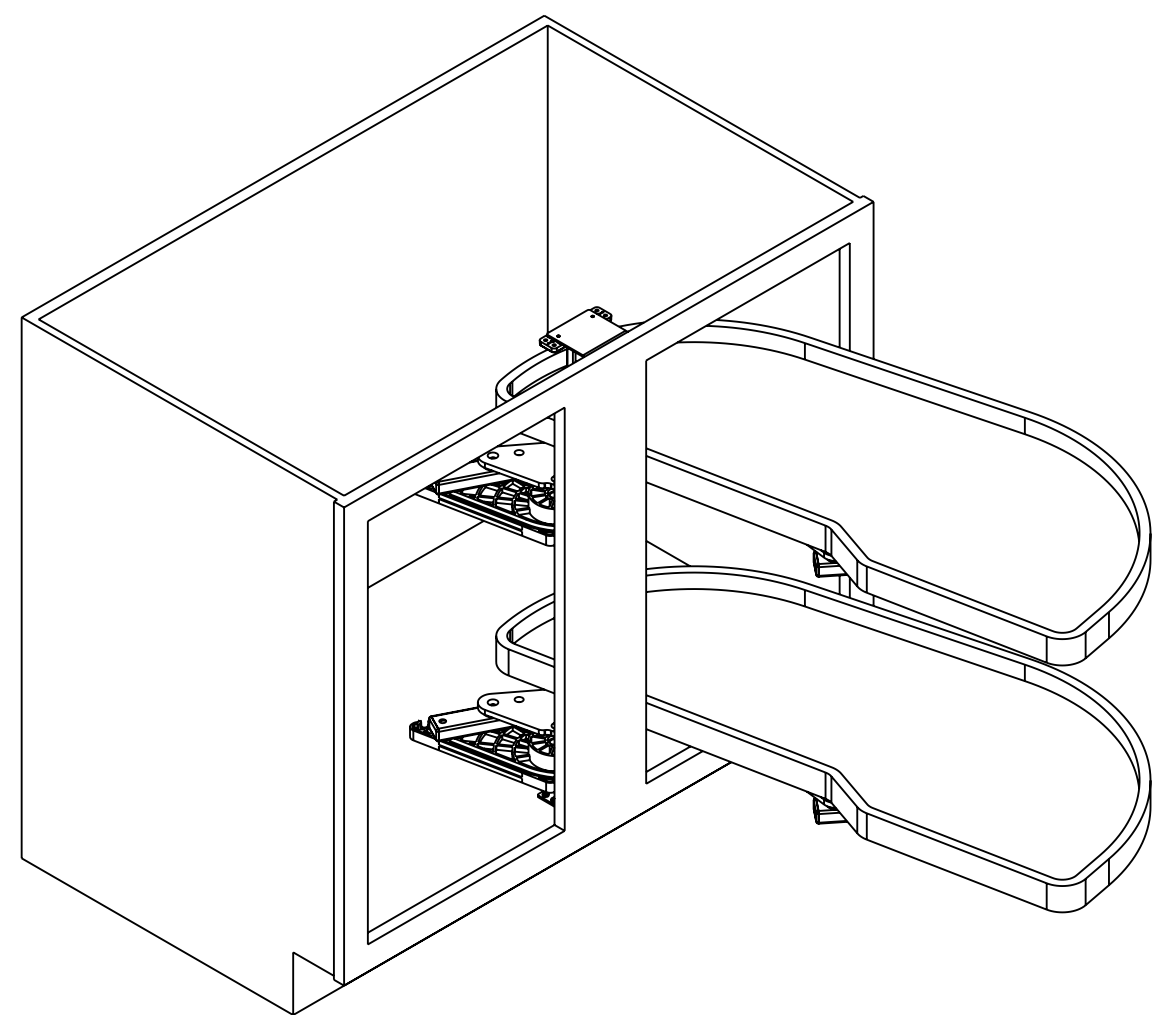
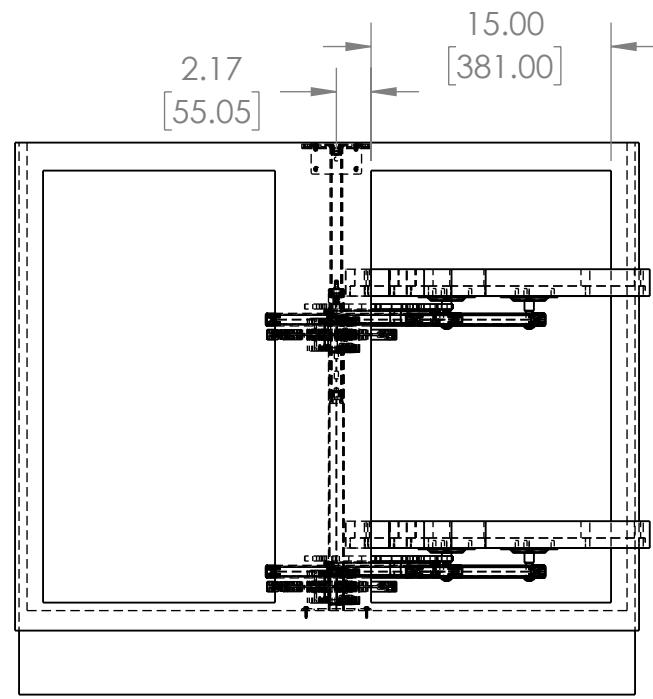
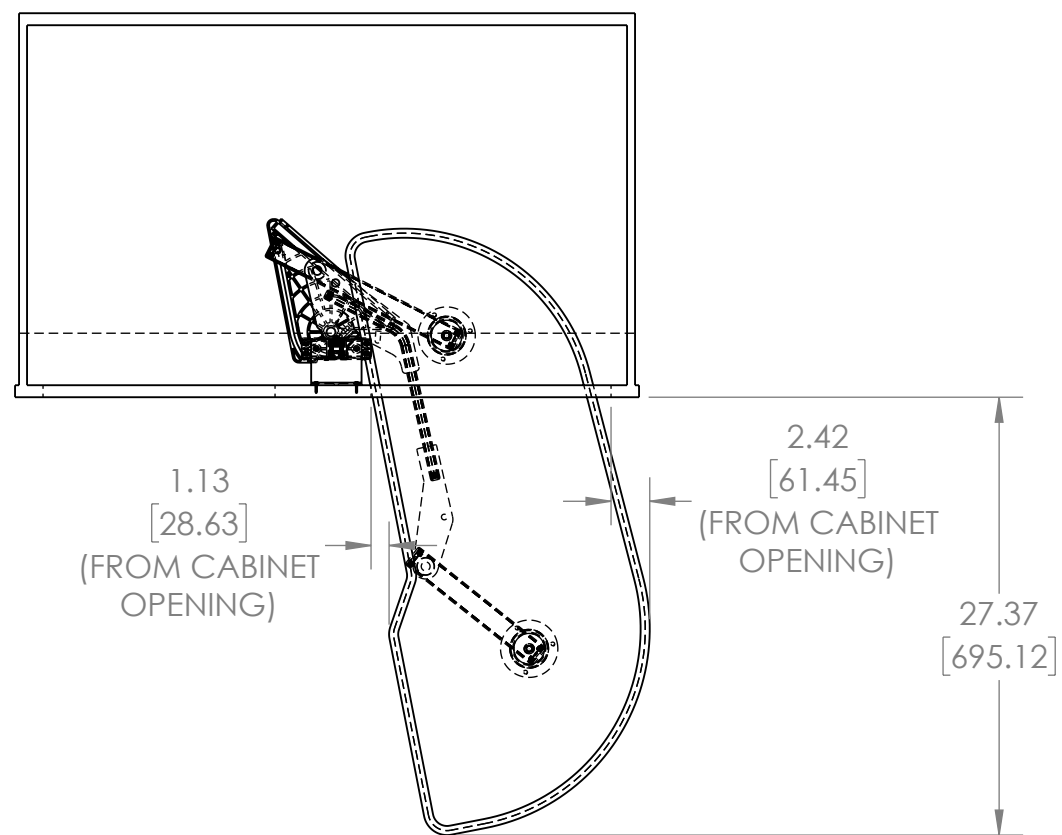
1

4

3

2

1



CUSTOMER DRAWING

UNLESS OTHERWISE SPECIFIED:		
TOLERANCES = INCH/(MM)		
MAT. DEC.		
(WOOD) .XX +/- .03 [.8mm]		
(OTHER) .XX +/- .02 [.5mm]		
(ALL) .XXX +/- .005 [.13 mm]		
FRACTIONS +/- 1/32 [.8 mm]		
ANGLES +/- 1/2°		
First Angle Projection		
MATERIAL	FINISH	
DO NOT SCALE DRAWING	NAME	DATE
DRAWN	KRR	1-22-24

Description:		
2-TIER PULLOUT WOOD ORGANIZER RIGHT DOOR/BLIND LEFT		
PART NO. 4WLS87-15-R		
SIZE	DWG. NO.	REV
<b>B</b>	4WLS87-15-R	
SCALE: 1:12	WEIGHT:	SHEET 2 OF 3



**PROPRIETARY AND CONFIDENTIAL**  
 This drawing is the property of Rev-A-Shelf LLC (RAS) and is disclosed in confidence to the extent its subject matter is original to RAS. Any vendor receiving this drawing from RAS shall hold and use this drawing for the sole benefit of RAS and shall not disclose it to, or use or reproduce it for any third party, or perform any act adverse to the interest of RAS with respect to this drawing without the express written permission of RAS. Vendors shall not revise any physical, dimensional or performance characteristic unless authorized by Rev-A-Shelf Engineering.

REV	DATE	BY	DESCRIPTION OF CHANGE

UNCONTROLLED IF PRINTED

4

3

2

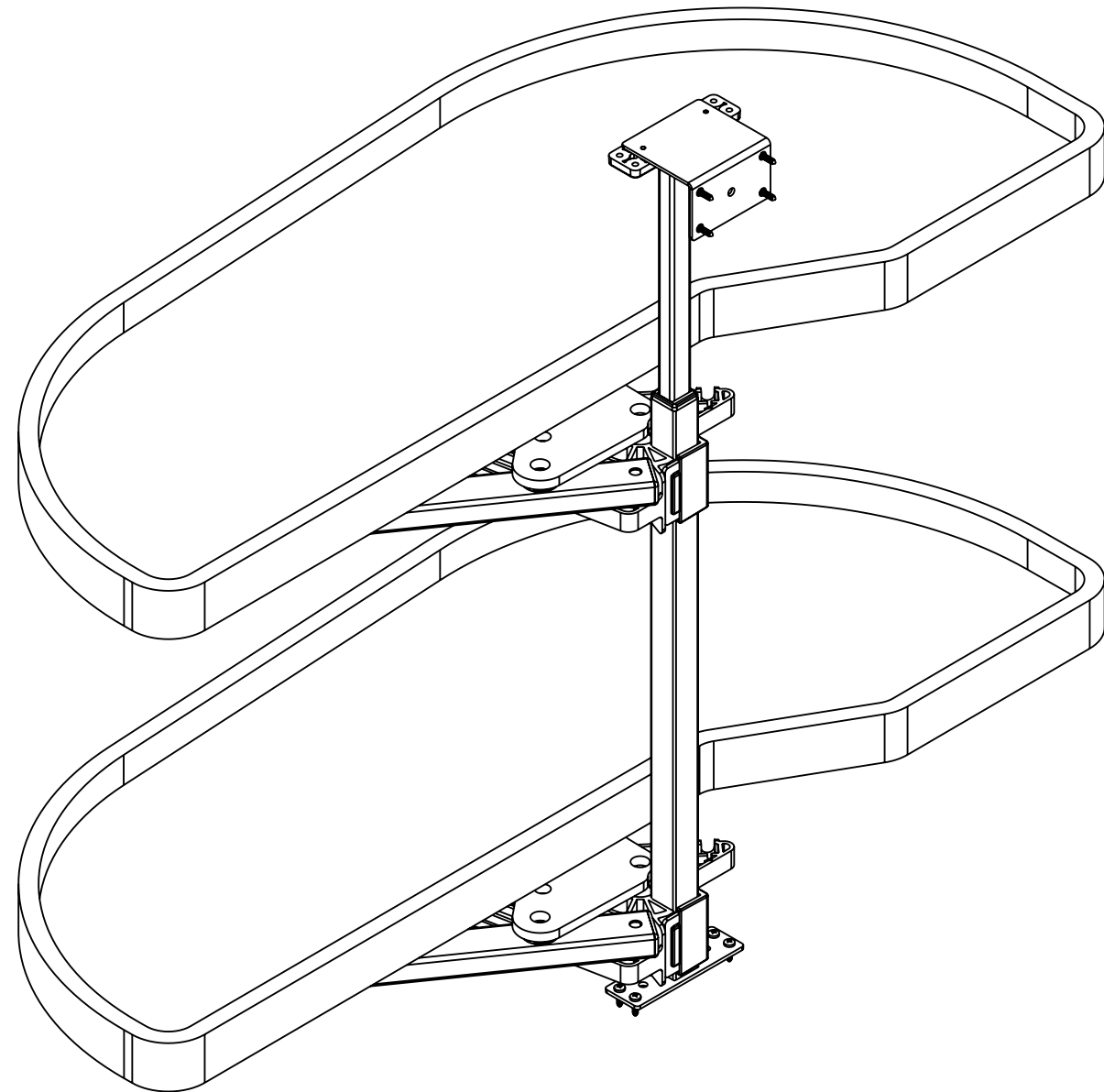
1

4

3

2

1



PART DIMENSIONS	
WIDTH	35.81 [909.50]
DEPTH	16.62 [422.06]
HEIGHT	24.41 [620] MIN.

MIN CABINET OPENING				
	FACE FRAME	FRAMELESS	INSET FACE FRAME	INSET FRAMELESS
WIDTH	15.00 [381]	16.50 [419]	15.00 [381]	16.50 [419]
DEPTH	22.75 [577.85]	22.75 [577.85]	22.75 [577.85]	22.75 [577.85]
HEIGHT *	18.50 [469.9]	18.50 [469.9]	18.50 [469.9]	18.50 [469.9]

\* WITH TOP SHELF IN THE LOWEST POSITION

CUSTOMER DRAWING

**UNCONTROLLED IF PRINTED**



**PROPRIETARY AND CONFIDENTIAL**

This drawing is the property of Rev-A-Shelf LLC (RAS) and is disclosed in confidence to the extent its subject matter is original to RAS. Any vendor receiving this drawing from RAS shall hold and use this drawing for the sole benefit of RAS and shall not disclose it to, or use or reproduce it for any third party, or perform any act adverse to the interest of RAS with respect to this drawing without the express written permission of RAS. Vendors shall not revise any physical, dimensional or performance characteristic unless authorized by Rev-A-Shelf Engineering.

REV	DATE	BY	DESCRIPTION OF CHANGE

UNLESS OTHERWISE SPECIFIED:		
TOLERANCES = INCH/(MM)		
MAT. DEC.		
(WOOD) .XX +/- .03 [.8mm]		
(OTHER) .XX +/- .02 [.5mm]		
(ALL) .XXX +/- .005 [.13 mm]		
FRACTIONS +/- 1/32 [.8 mm]		
ANGLES +/- 1/2°		
First Angle Projection		
MATERIAL	FINISH	
DO NOT SCALE DRAWING	NAME	DATE
DRAWN	KRR	1-22-24

Description:		
<b>2-TIER PULLOUT WOOD ORGANIZER RIGHT DOOR/BLIND LEFT</b>		
PART NO. 4WLS87-15-R		
SIZE	DWG. NO.	REV
<b>B</b>	4WLS87-15-R	
SCALE: 1:5	WEIGHT:	SHEET 3 OF 3

4

3

2

1

B

A