

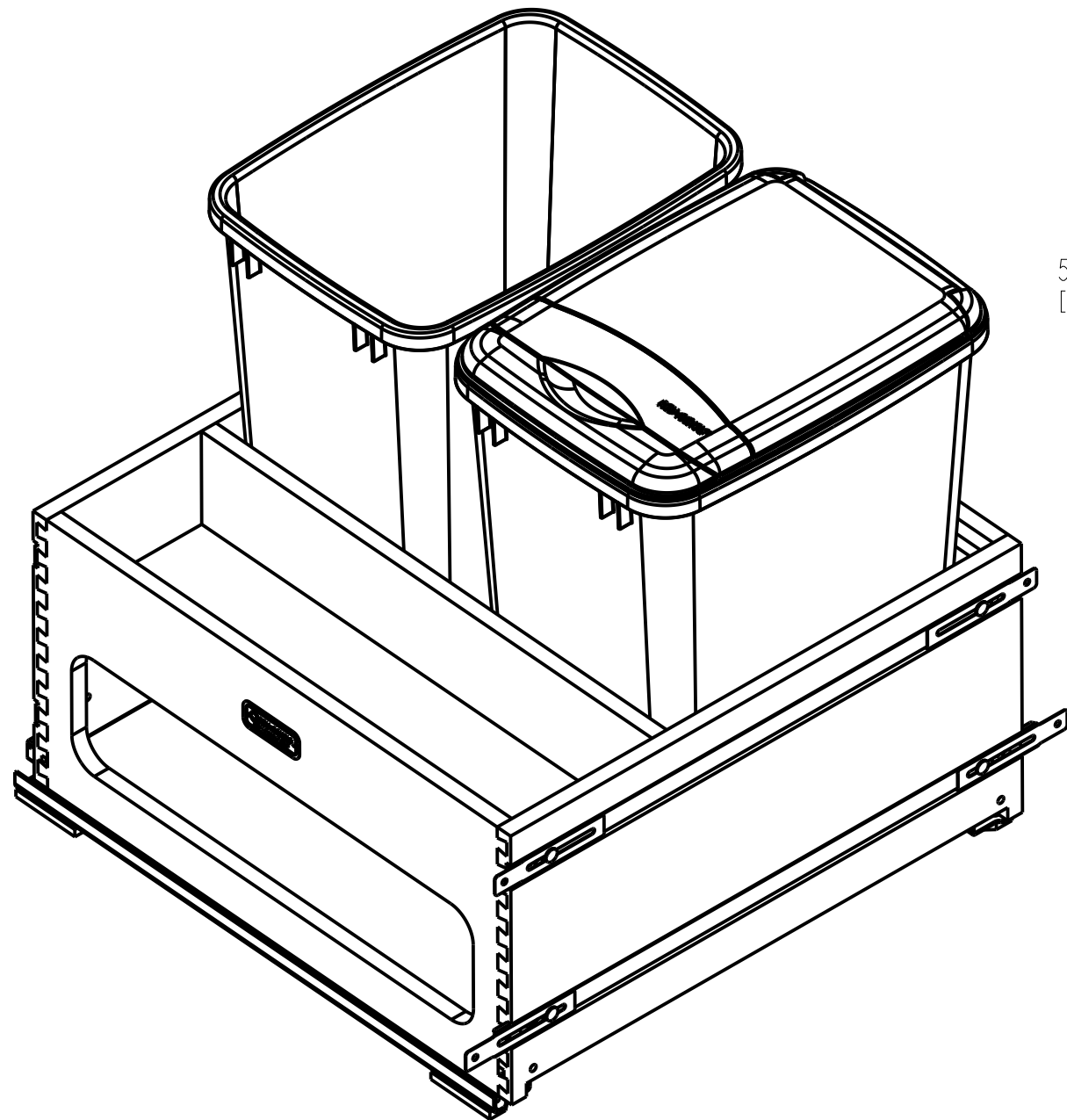
- NOTES:  
 1. FINISH: MAPLE  
 2. HOLDS (2) 35 QT WASTE CONTAINERS

CUSTOMER DRAWING

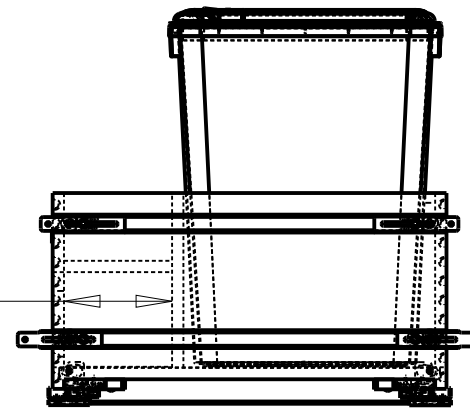
This drawing is the property of Rev-A-Shelf (RAS) and is disclosed in confidence to the extent its subject matter is original to RAS. Any vendor receiving this drawing from RAS shall hold and use this drawing for the sole benefit of RAS and shall not disclose it to, or use or reproduce it for any third party, or perform any act adverse to the interest of RAS with respect to this drawing without the express written permission of RAS. Vendors shall not revise any physical, dimensional or performance characteristic unless authorized by Rev-A-Shelf Engineering.

REV.	DATE	BY	DESCRIPTION OF CHANGE

INCH [MM]	AMERICAN PROJECTION	DRAWN	BY	DATE	REV-A-SHELF, INC.
			JAB	10/10/23	
TOLERANCES					SIZE
MAT.	DEC.	ANGLES ±1/2°		MATERIAL	B WOOD WASTE CONTAINER 35 QT STORAGE B24
(WOOD) .XX ±.03 [.8mm]	(OTHER) .XX ±.02 [.5mm]	FINISH		DRAWING NO.	4WCWM-2435DMSC-2
(ALL) .XXX ±.005 [.13 mm]	FRACTIONS ±1/32 [.8 mm]			PART NO.	4WCWM-2435DMSC-2
					SCALE
					0.125
					SHEET OF
					1 2



5.63  
[143]



SCALE 0.100

PART DIMENSIONS

	MIN	MAX
WIDTH	20.97	
DEPTH	22.04	
HEIGHT	20.67	
CONTAINER CAPACITY	35	
CONTAINER UOM	QUART	

MIN CABINET OPENING

	FACE FRAME	FRAMELESS	INSET FACE FRAME	INSET FRAMELESS
WIDTH	21	21	21	21
DEPTH	22.13	22.13	22.88	22.88
HEIGHT	21	21	21	21

SLIDE SPECIFICATIONS

SLIDE MANUFACTURER	BLUM			
SLIDE PART NUMBER	769R5330M	RELEASE PART NUMBER	T51.7601	
SLIDE TYPE	UNDERMOUNT	SLIDE EXTENSION	OVER-TRAVEL	MAX WEIGHT RATING
SLIDE CLOSING	SOFT CLOSE	SLIDE LENGTH	21	
SLIDE MOUNTING	BOTTOM	SLIDE FINISH	ZINC	155 LBS

CUSTOMER DRAWING

This drawing is the property of Rev-A-Shelf (RAS) and is disclosed in confidence to the extent its subject matter is original to RAS. Any vendor receiving this drawing from RAS shall hold and use this drawing for the sole benefit of RAS and shall not disclose it to, or use or reproduce it for any third party, or perform any act adverse to the interest of RAS with respect to this drawing without the express written permission of RAS. Vendors shall not revise any physical, dimensional or performance characteristic unless authorized by Rev-A-Shelf Engineering.

REV.	DATE	BY	DESCRIPTION OF CHANGE

INCH [MM]	AMERICAN PROJECTION	DRAWN	BY	DATE	
			JAB	10/10/23	
	TOLERANCES		MATERIAL	DRAWING NO.	SCALE
	MAT. DEC. (WOOD) .XX ±.03 [.8mm] (OTHER) .XX ±.02 [.5mm] (ALL) .XXX ±.005 [.13 mm] FRACTIONS ±1/32 [.8 mm]	ANGLES ±1/2°		4WCWM-2435DMSC-2	0.200
			FINISH	PART NO.	SHEET OF
				4WCWM-2435DMSC-2	2 OF 2