

4

3

2

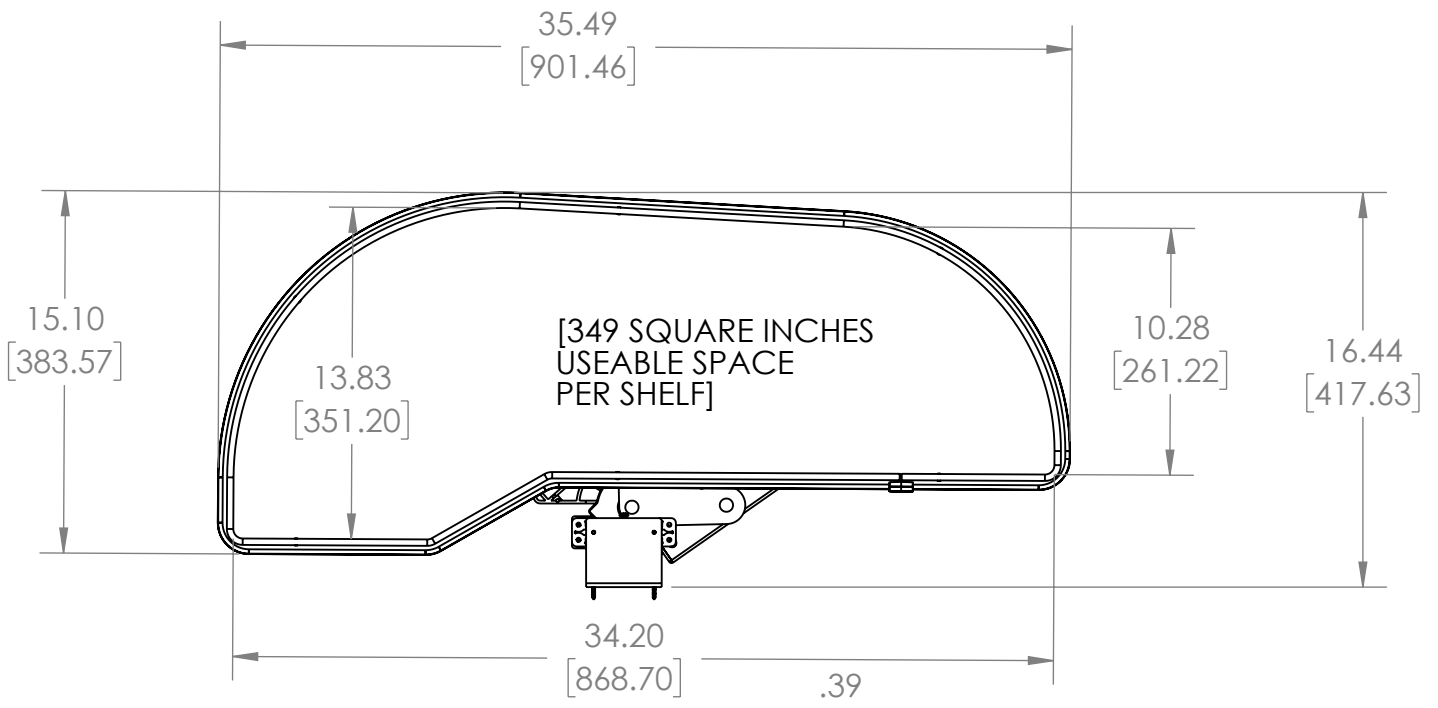
1

B

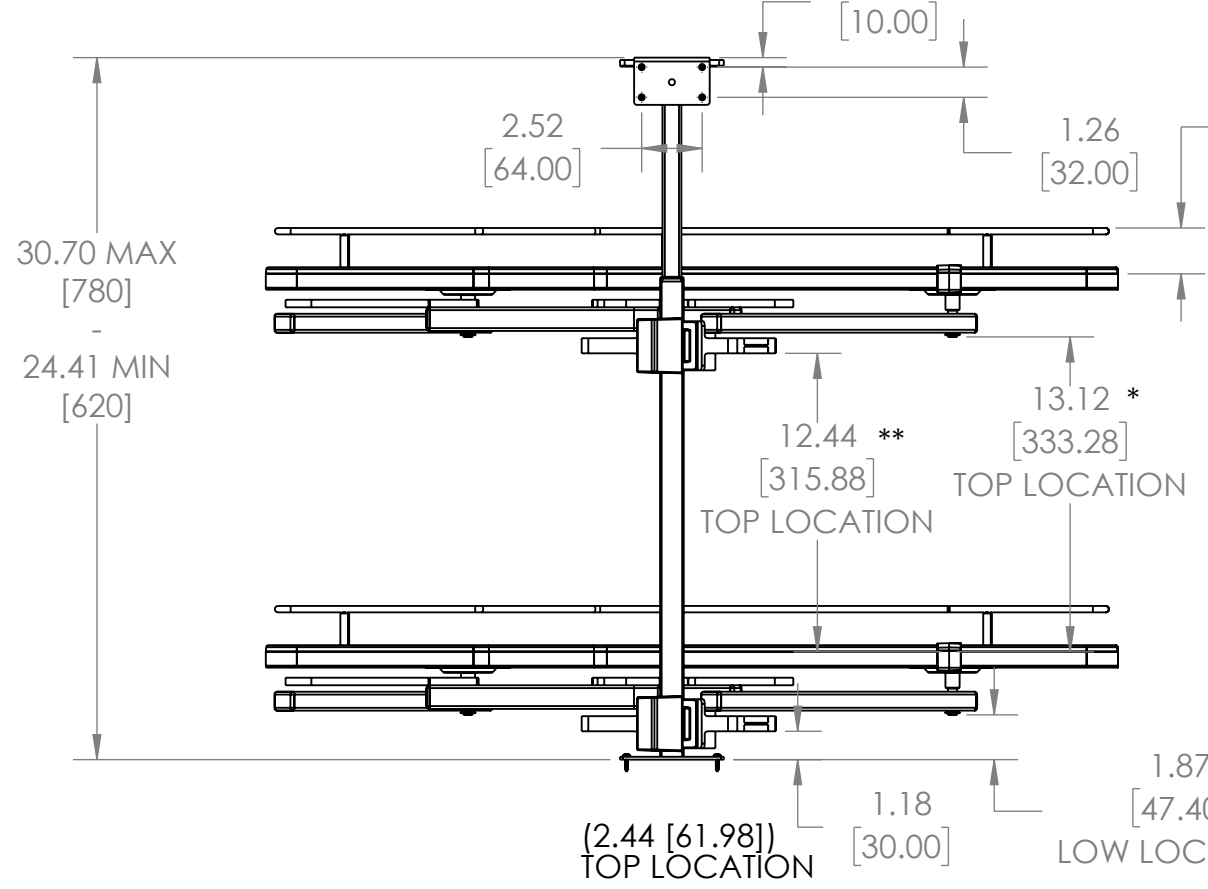
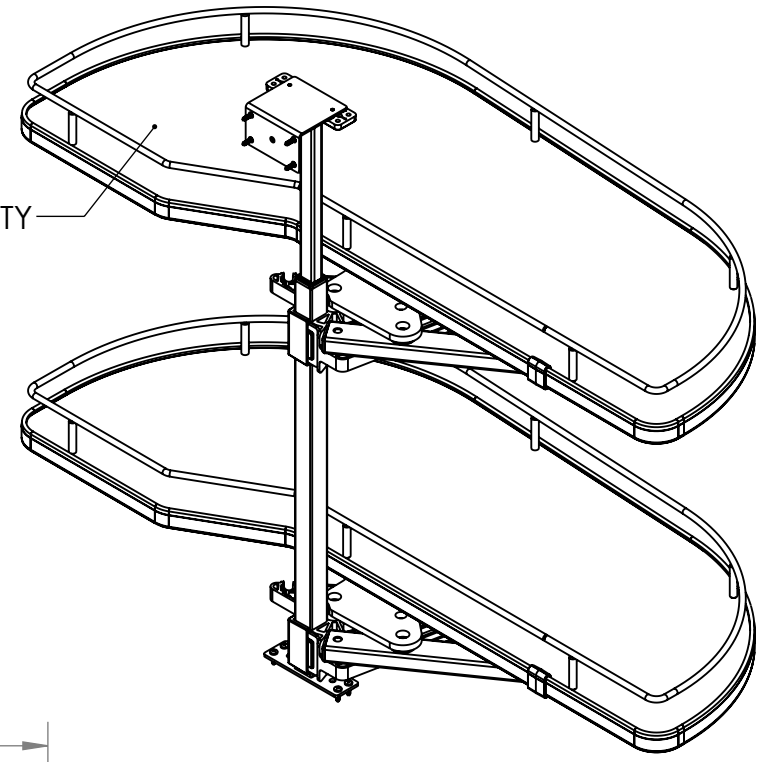
B

A

A



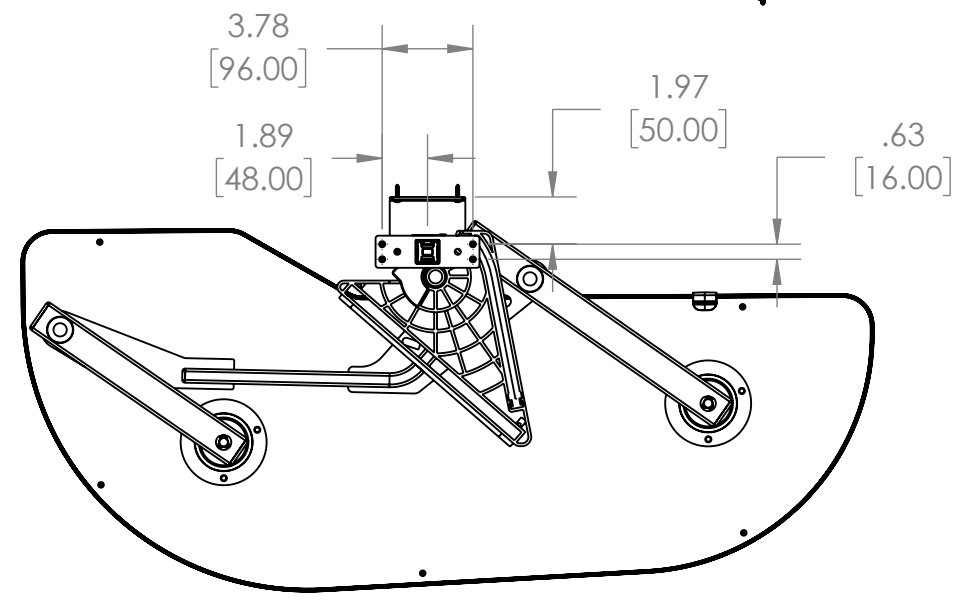
33 POUNDS (PER SHELF) CAPACITY



NOTE: SHELF ADJUSTMENT SPACING IS 1.26 [32]

* (LOWER LOCATIONS 11.86, 10.60, 9.34) [301.28][269.28][237.28]

** (LOWER LOCATIONS 11.18, 9.92, 8.66) [283.88][251.88][219.88]



BOTTOM VIEW

CUSTOMER DRAWING

UNCONTROLLED IF PRINTED



PROPRIETARY AND CONFIDENTIAL
 This drawing is the property of Rev-A-Shelf LLC (RAS) and is disclosed in confidence to the extent its subject matter is original to RAS. Any vendor receiving this drawing from RAS shall hold and use this drawing for the sole benefit of RAS and shall not disclose it to, or use or reproduce it for any third party, or perform any act adverse to the interest of RAS with respect to this drawing without the express written permission of RAS. Vendors shall not revise any physical, dimensional or performance characteristic unless authorized by Rev-A-Shelf Engineering.

REV	DATE	BY	DESCRIPTION OF CHANGE

UNLESS OTHERWISE SPECIFIED:		
TOLERANCES = INCH/(MM)		
MAT. DEC.		
(WOOD) .XX +/--.03 [.8mm]		
(OTHER) .XX +/--.02 [.5mm]		
(ALL) .XXX +/--.005 [.13 mm]		
FRACTIONS +/-1/32 [.8 mm]		
ANGLES +/-1/2°		
First Angle Projection		
MATERIAL	FINISH	
DO NOT SCALE DRAWING	NAME	DATE
DRAWN	KRR	1-22-24

Description:		
2-TIER PULLOUT SOLID BOTTOM ORGANIZER LEFT DOOR/BLIND RIGHT		
PART NO. 587-15-LMP		
SIZE	DWG. NO.	REV
B	587-15-LMP	
SCALE: 1:8	WEIGHT:	SHEET 1 OF 3

4

3

2

1

4

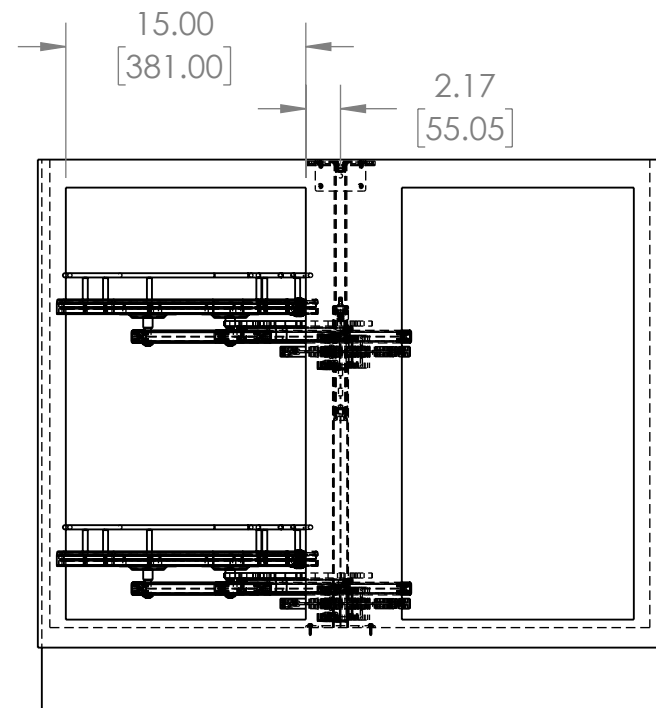
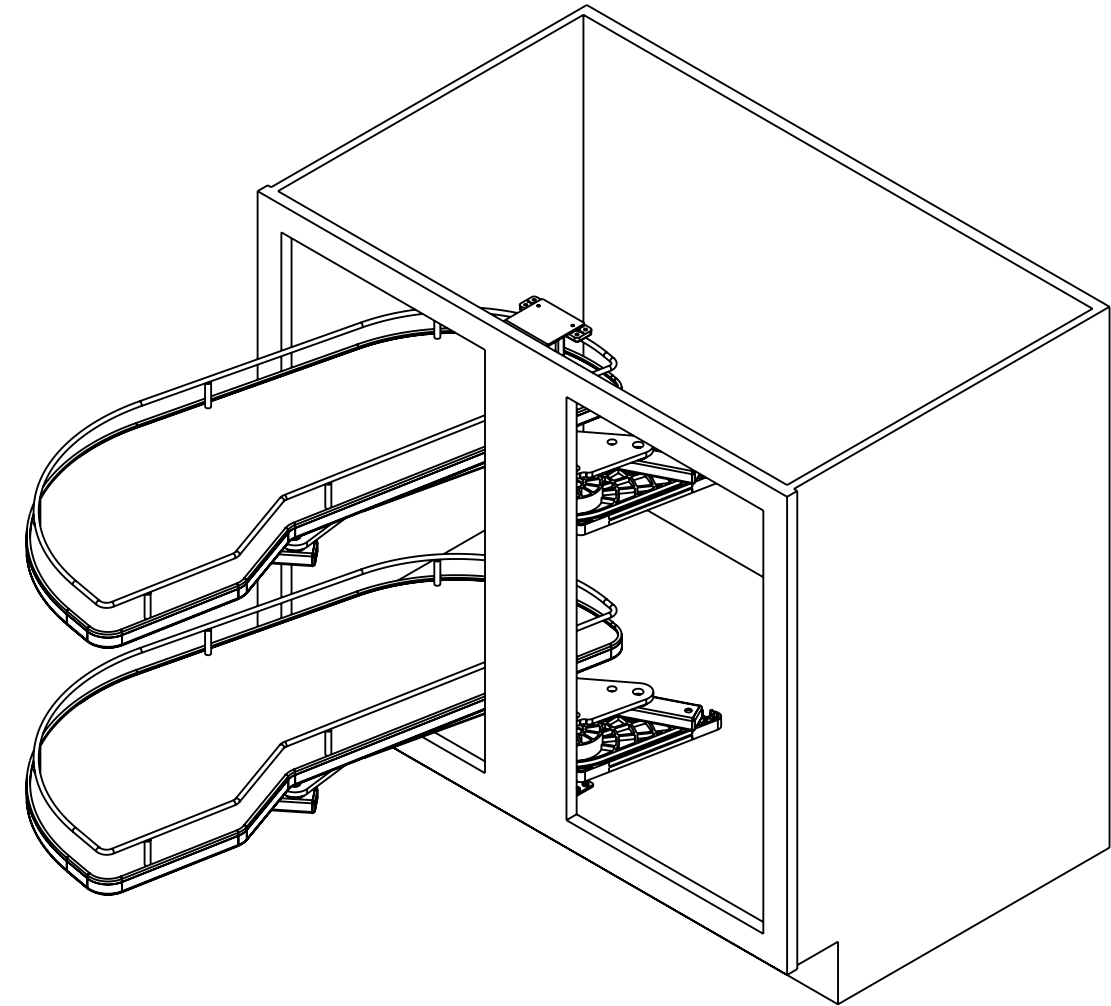
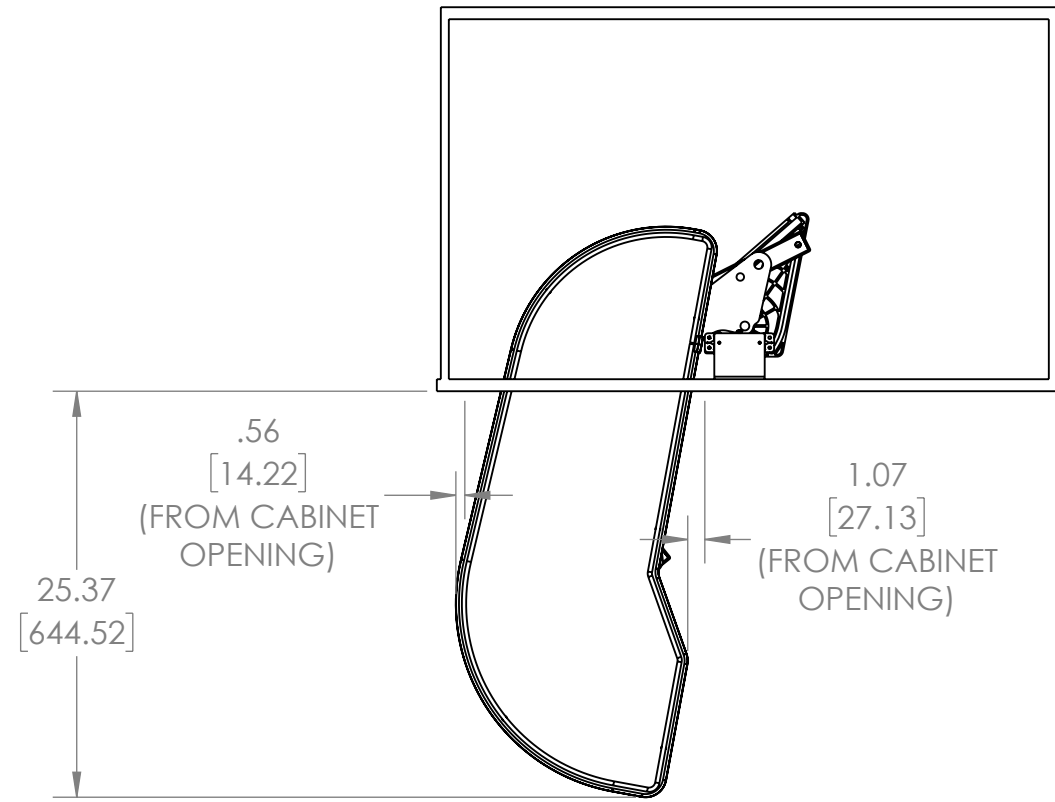
3

2

1

B

B



A

A

CUSTOMER DRAWING

UNCONTROLLED IF PRINTED



PROPRIETARY AND CONFIDENTIAL

This drawing is the property of Rev-A-Shelf LLC (RAS) and is disclosed in confidence to the extent its subject matter is original to RAS. Any vendor receiving this drawing from RAS shall hold and use this drawing for the sole benefit of RAS and shall not disclose it to, or use or reproduce it for any third party, or perform any act adverse to the interest of RAS with respect to this drawing without the express written permission of RAS. Vendors shall not revise any physical, dimensional or performance characteristic unless authorized by Rev-A-Shelf Engineering.

REV	DATE	BY	DESCRIPTION OF CHANGE

UNLESS OTHERWISE SPECIFIED:		
TOLERANCES = INCH/(MM)		
MAT. DEC.		
(WOOD) .XX +/- .03 [.8mm]		
(OTHER) .XX +/- .02 [.5mm]		
(ALL) .XXX +/- .005 [.13 mm]		
FRACTIONS +/- 1/32 [.8 mm]		
ANGLES +/- 1/2°		
First Angle Projection		
MATERIAL	FINISH	
DO NOT SCALE DRAWING	NAME	DATE
DRAWN	KRR	1-22-24

Description:		
2-TIER PULLOUT SOLID BOTTOM ORGANIZER LEFT DOOR/BLIND RIGHT		
PART NO. 587-15-LMP		
SIZE	DWG. NO.	REV
B	587-15-LMP	
SCALE: 1:12 WEIGHT:		SHEET 2 OF 3

4

3

2

1

4

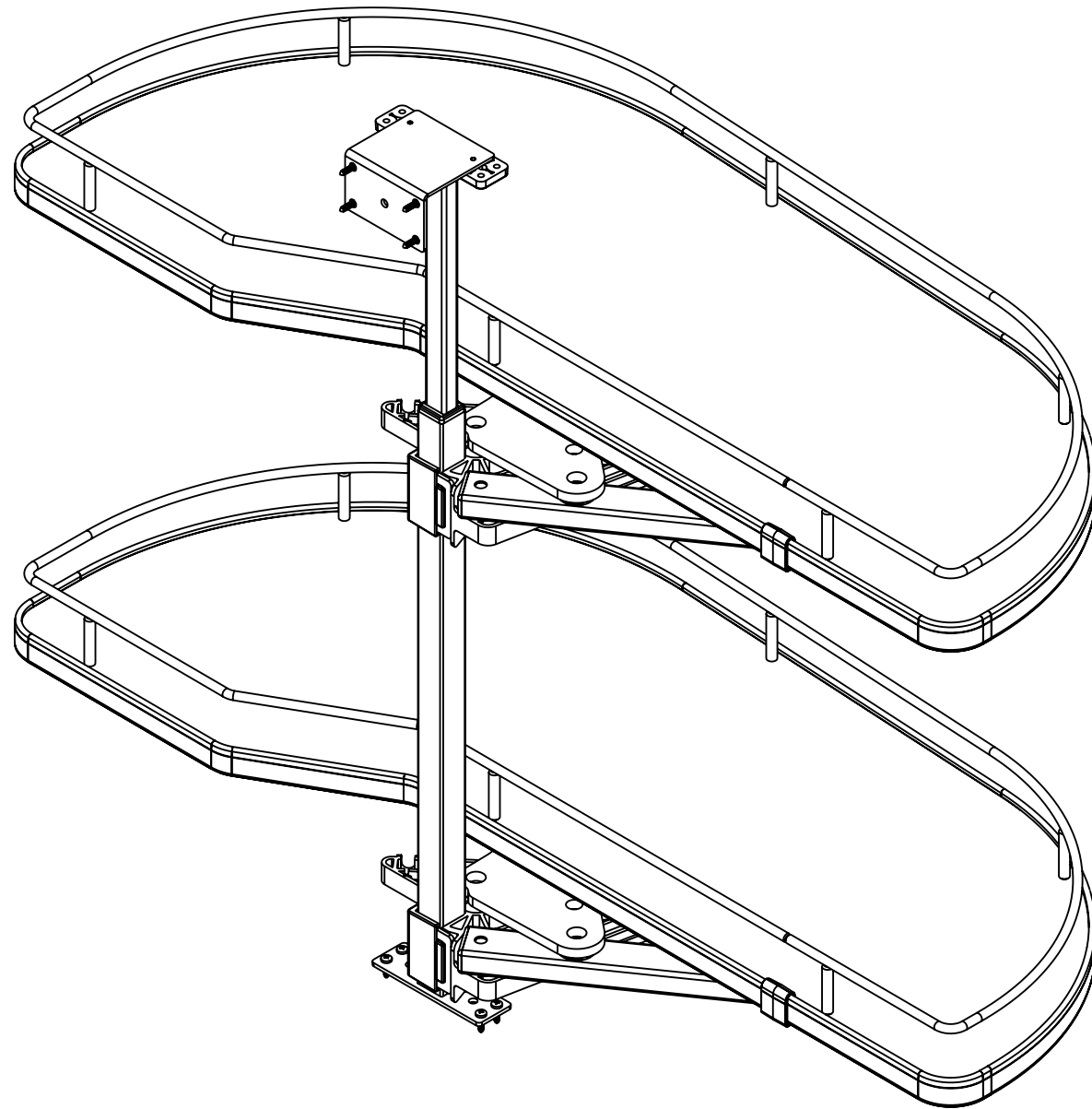
3

2

1

B

B



PART DIMENSIONS	
WIDTH	35.49 [901.46]
DEPTH	16.44 [417.63]
HEIGHT	24.41 [620] MIN.

MIN CABINET OPENING				
	FACE FRAME	FRAMELESS	INSET FACE FRAME	INSET FRAMELESS
WIDTH	15.00 [381]	16.50 [419]	15.00 [381]	16.50 [419]
DEPTH	22.75 [577.85]	22.75 [577.85]	22.75 [577.85]	22.75 [577.85]
HEIGHT *	19.37 [492]	19.37 [492]	19.37 [492]	19.37 [492]

* WITH TOP SHELF IN THE LOWEST POSITION

A

A

CUSTOMER DRAWING

UNCONTROLLED IF PRINTED



PROPRIETARY AND CONFIDENTIAL
 This drawing is the property of Rev-A-Shelf LLC (RAS) and is disclosed in confidence to the extent its subject matter is original to RAS. Any vendor receiving this drawing from RAS shall hold and use this drawing for the sole benefit of RAS and shall not disclose it to, or use or reproduce it for any third party, or perform any act adverse to the interest of RAS with respect to this drawing without the express written permission of RAS. Vendors shall not revise any physical, dimensional or performance characteristic unless authorized by Rev-A-Shelf Engineering.

REV	DATE	BY	DESCRIPTION OF CHANGE

UNLESS OTHERWISE SPECIFIED:		Description:	
TOLERANCES = INCH/(MM) MAT. DEC. (WOOD) .XX +/- .03 [.8mm] (OTHER) .XX +/- .02 [.5mm] (ALL) .XXX +/- .005 [.13 mm] FRACTIONS +/- 1/32 [.8 mm] ANGLES +/- 1/2°		2-TIER PULLOUT SOLID BOTTOM ORGANIZER LEFT DOOR/BLIND RIGHT	
First Angle Projection		PART NO. 587-15-LMP	
MATERIAL	FINISH	SIZE	DWG. NO.
DO NOT SCALE DRAWING	NAME	B	587-15-LMP
DRAWN	KRR	DATE	REV
1-22-24		SCALE: 1:5	WEIGHT:
			SHEET 3 OF 3

4

3

2

1