

4

3

2

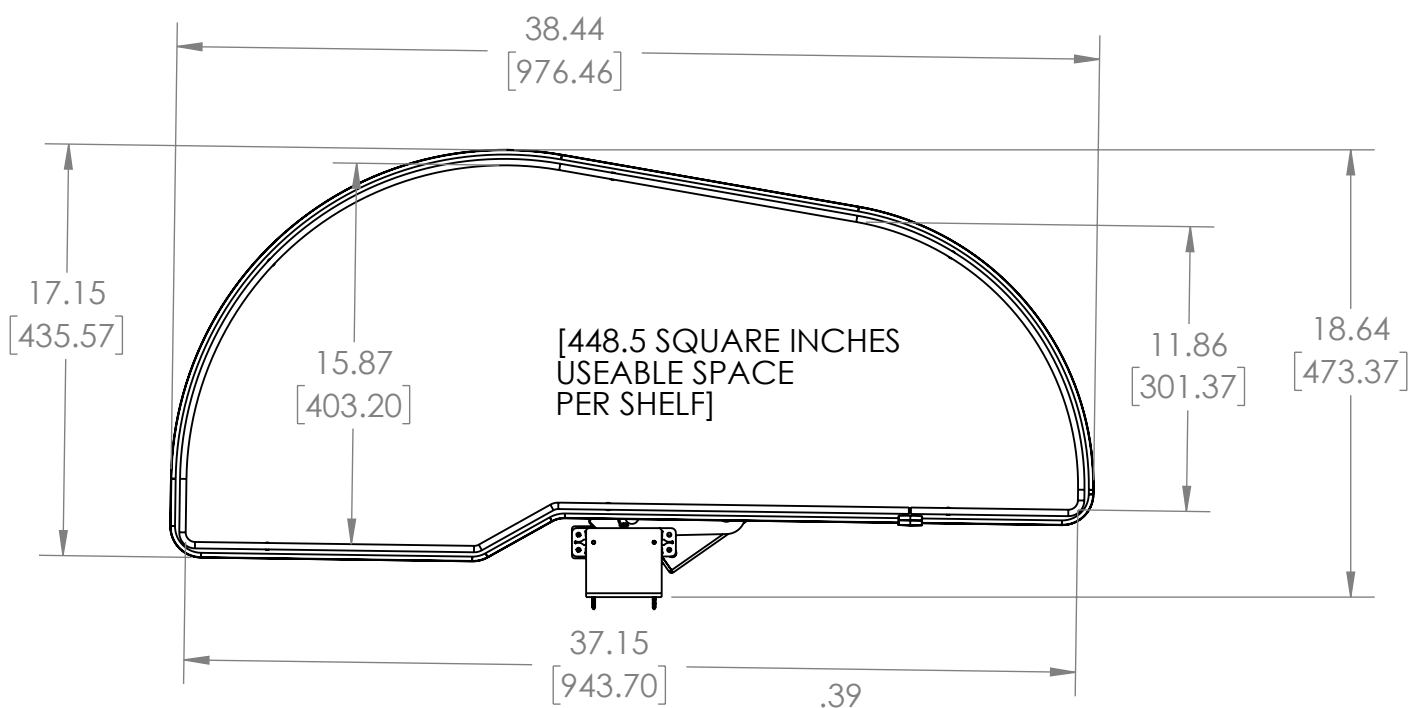
1

B

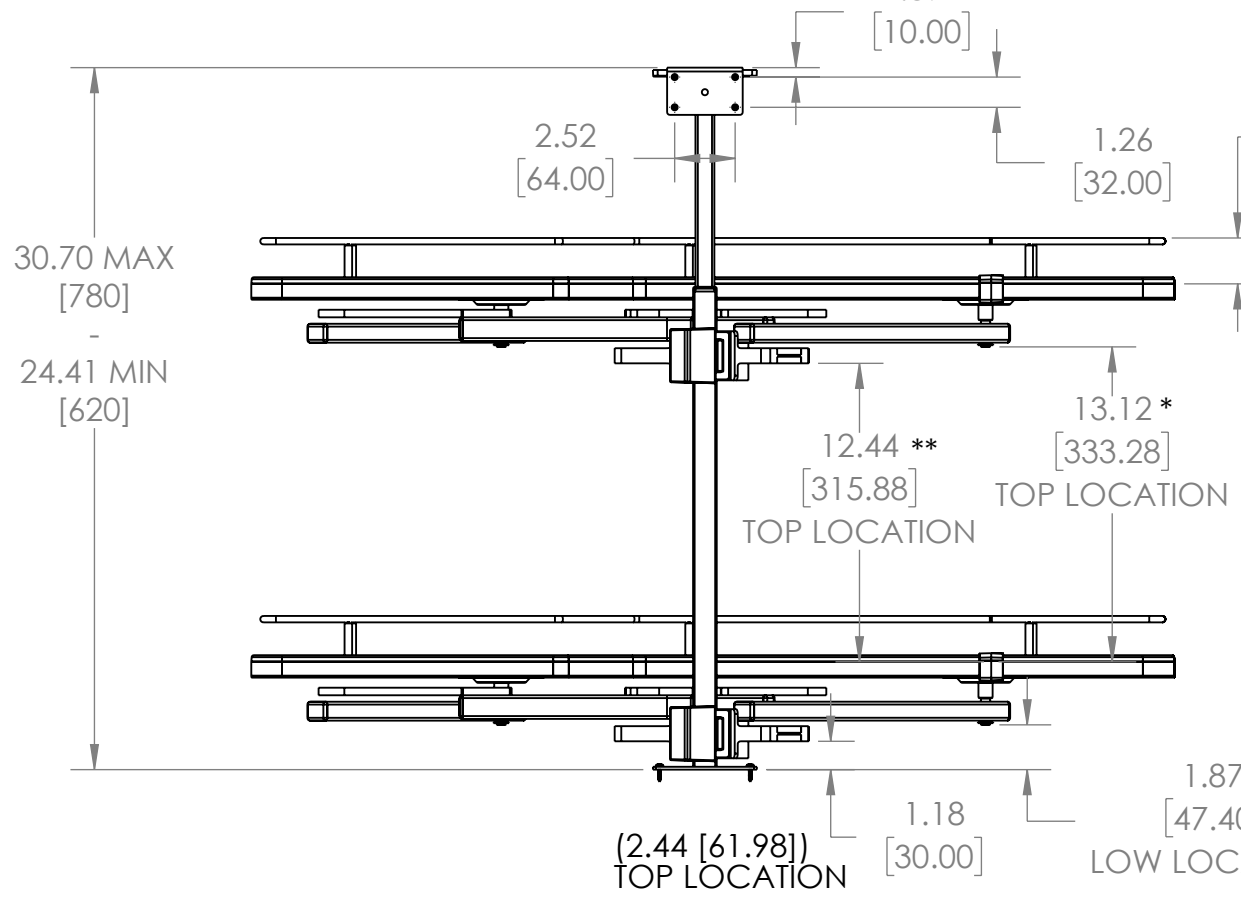
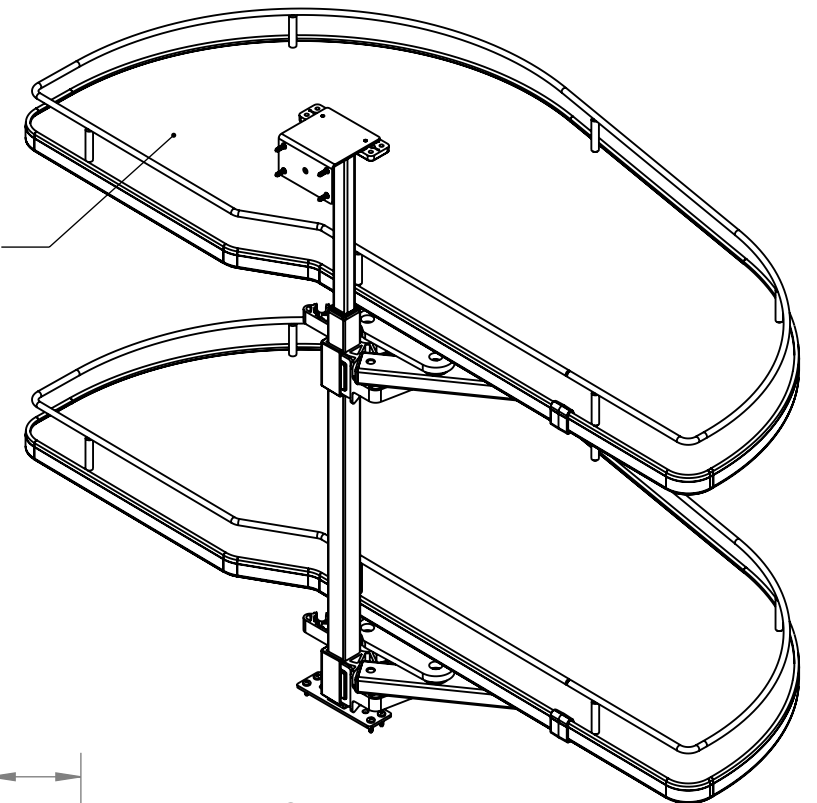
B

A

A



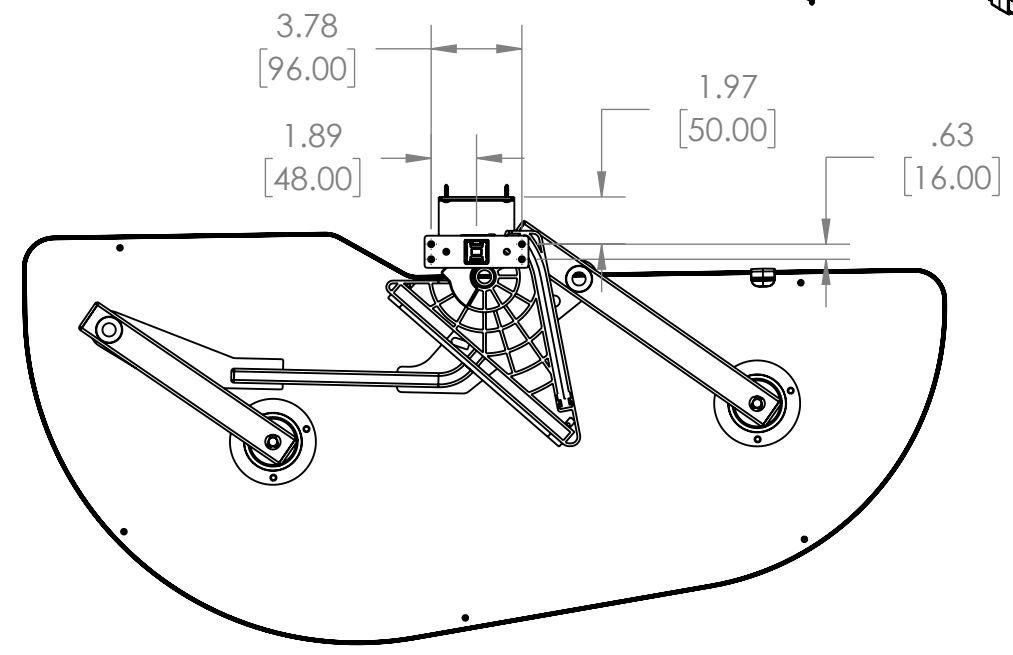
33 POUNDS (PER SHELF) CAPACITY



NOTE: SHELF ADJUSTMENT SPACING IS 1.26 [32]

* (LOWER LOCATIONS 11.86, 10.60, 9.34) [301.28][269.28][237.28]

** (LOWER LOCATIONS 11.18, 9.92, 8.66) [283.88][251.88][219.88]



BOTTOM VIEW

CUSTOMER DRAWING

UNCONTROLLED IF PRINTED



PROPRIETARY AND CONFIDENTIAL

This drawing is the property of Rev-A-Shelf LLC (RAS) and is disclosed in confidence to the extent its subject matter is original to RAS. Any vendor receiving this drawing from RAS shall hold and use this drawing for the sole benefit of RAS and shall not disclose it to, or use or reproduce it for any third party, or perform any act adverse to the interest of RAS with respect to this drawing without the express written permission of RAS. Vendors shall not revise any physical, dimensional or performance characteristic unless authorized by Rev-A-Shelf Engineering.

REV	DATE	BY	DESCRIPTION OF CHANGE

UNLESS OTHERWISE SPECIFIED:			
TOLERANCES = INCH/(MM)			
MAT. DEC.			
(WOOD) .XX +/--.03 [8mm]			
(OTHER) .XX +/--.02 [5mm]			
(ALL) .XXX +/--.005 [13 mm]			
FRACTIONS +/-1/32 [8 mm]			
ANGLES +/-1/2°			
First Angle Projection			
MATERIAL	FINISH		
DO NOT SCALE DRAWING	NAME	DATE	
DRAWN	KRR	1-22-24	

Description:			
2-TIER PULLOUT SOLID BOTTOM ORGANIZER LEFT DOOR/BLIND RIGHT			
PART NO. 587-18-LMP			
SIZE	DWG. NO.	REV	
B	587-18-LMP		
SCALE: 1:8	WEIGHT:	SHEET 1 OF 3	

4

3

2

1

4

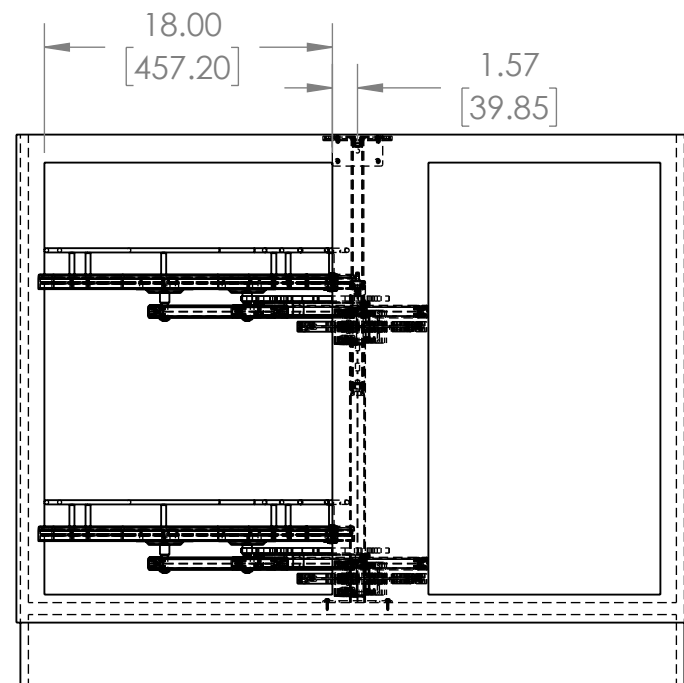
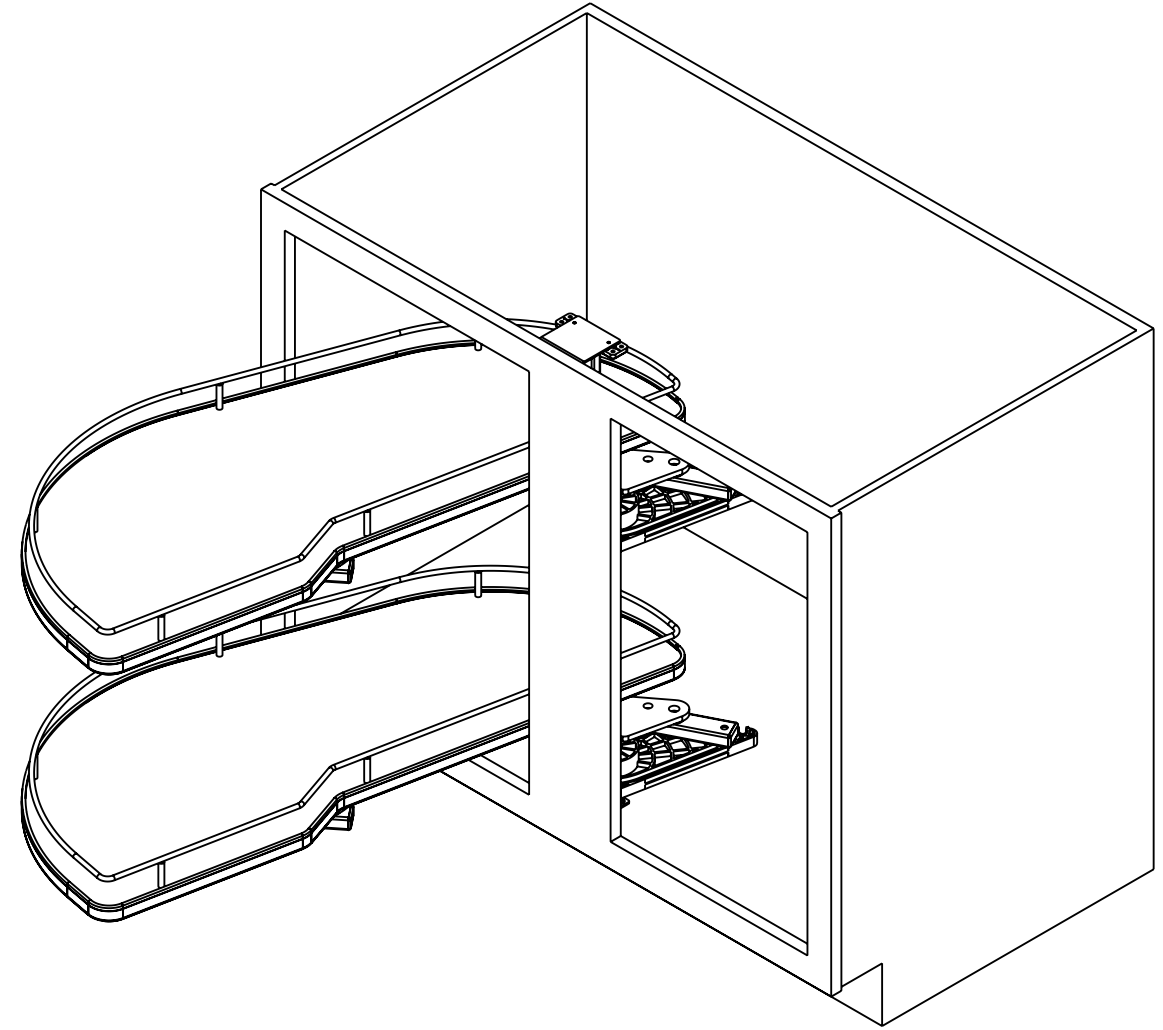
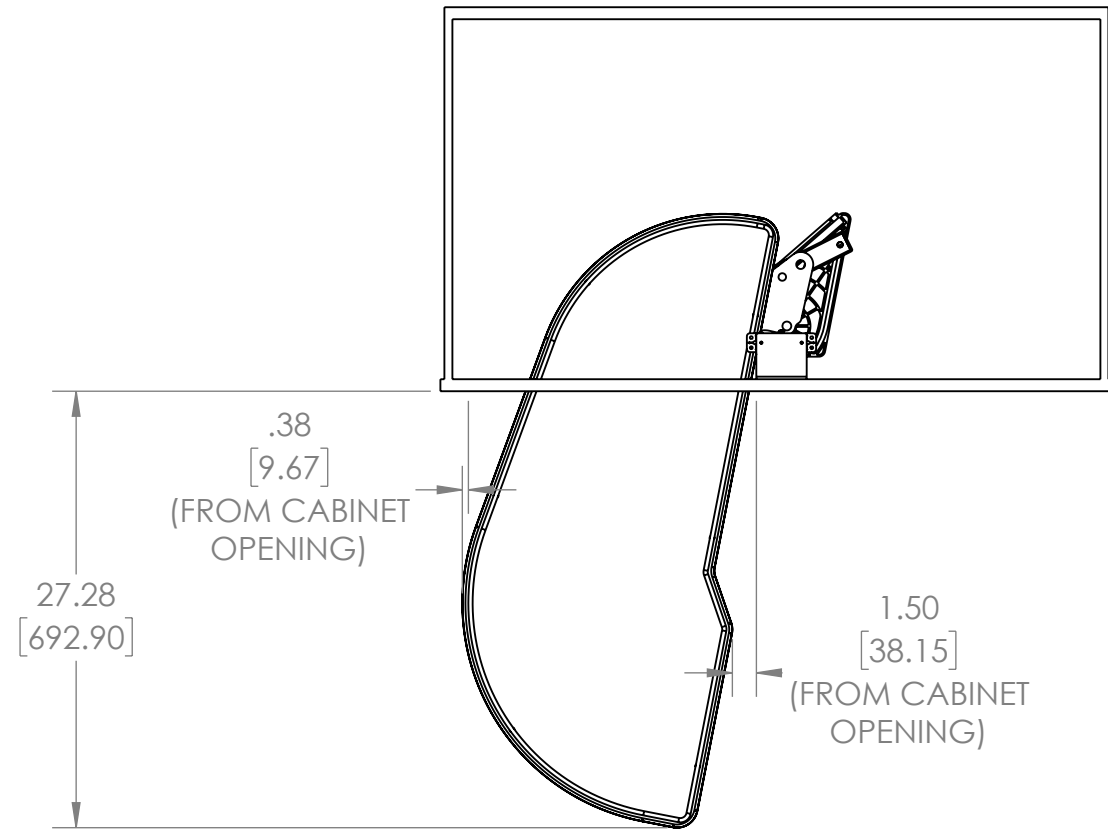
3

2

1

B

B



A

A

CUSTOMER DRAWING

UNCONTROLLED IF PRINTED



PROPRIETARY AND CONFIDENTIAL

This drawing is the property of Rev-A-Shelf LLC (RAS) and is disclosed in confidence to the extent its subject matter is original to RAS. Any vendor receiving this drawing from RAS shall hold and use this drawing for the sole benefit of RAS and shall not disclose it to, or use or reproduce it for any third party, or perform any act adverse to the interest of RAS with respect to this drawing without the express written permission of RAS. Vendors shall not revise any physical, dimensional or performance characteristic unless authorized by Rev-A-Shelf Engineering.

REV	DATE	BY	DESCRIPTION OF CHANGE

UNLESS OTHERWISE SPECIFIED:

TOLERANCES = INCH/(MM)
 MAT. DEC.
 (WOOD) .XX +/--.03 [.8mm]
 (OTHER) .XX +/--.02 [.5mm]
 (ALL) .XXX +/--.005 [.13 mm]
 FRACTIONS +/-1/32 [.8 mm]
 ANGLES +/-1/2°

First Angle Projection



MATERIAL FINISH

DO NOT SCALE DRAWING NAME DATE

DRAWN KRR 1-22-24

Description:

**2-TIER PULLOUT SOLID
 BOTTOM ORGANIZER LEFT
 DOOR/BLIND RIGHT**

PART NO. 587-18-LMP

SIZE	DWG. NO.	REV
B	587-18-LMP	

SCALE: 1:12 WEIGHT: SHEET 2 OF 3

4

3

2

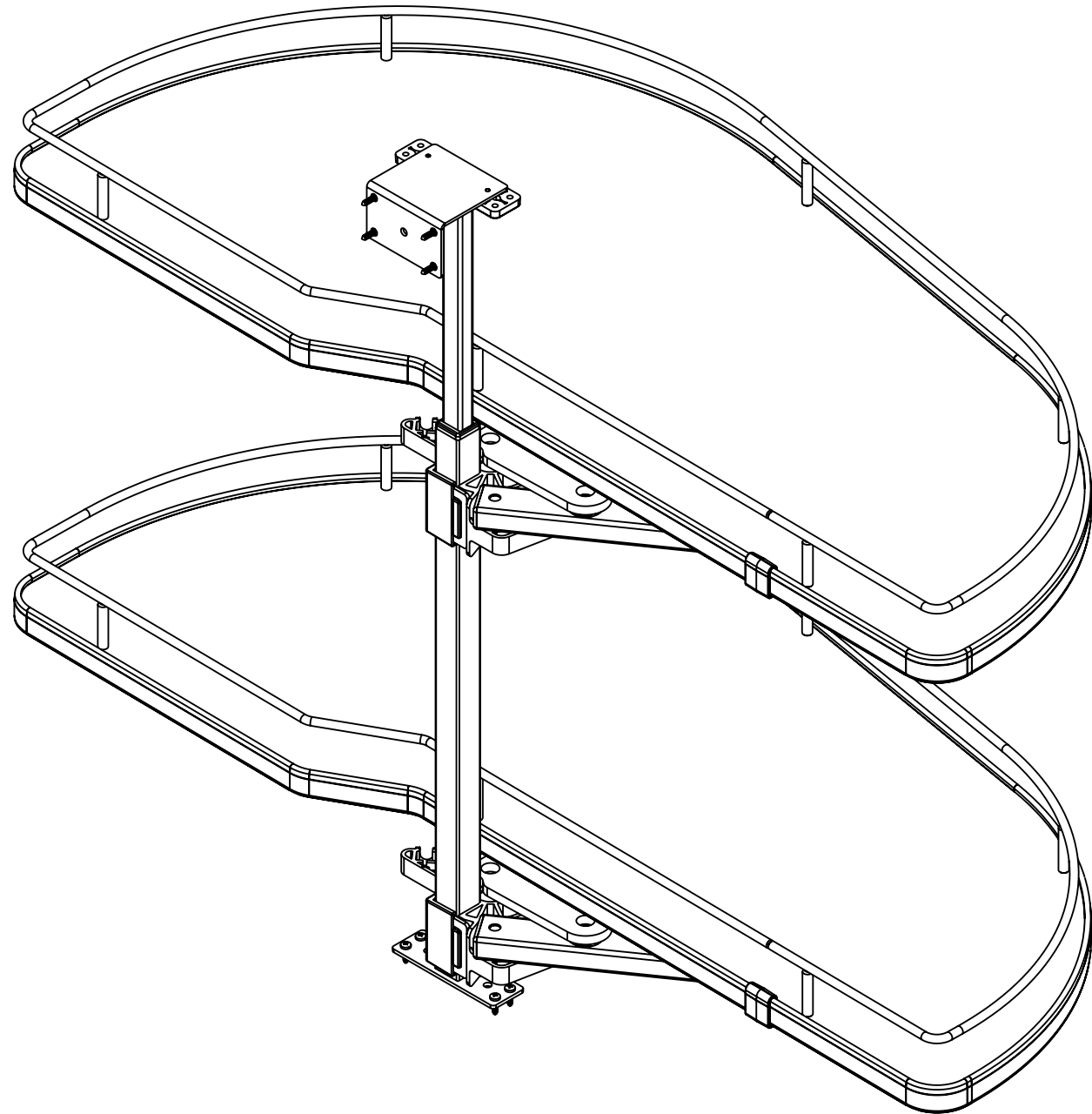
1

4

3

2

1



PART DIMENSIONS	
WIDTH	38.44 [976.46]
DEPTH	18.64 [473.37]
HEIGHT	24.41 [620] MIN.

MIN CABINET OPENING				
	FACE FRAME	FRAMELESS	INSET FACE FRAME	INSET FRAMELESS
WIDTH	18.00 [457.2]	19.50 [495.3]	18.00 [457.2]	19.50 [495.3]
DEPTH	23.00 [584.2]	23.00 [584.2]	23.00 [584.2]	23.00 [584.2]
HEIGHT *	19.37 [492]	19.37 [492]	19.37 [492]	19.37 [492]

* WITH TOP SHELF IN THE LOWEST POSITION

CUSTOMER DRAWING

UNCONTROLLED IF PRINTED



PROPRIETARY AND CONFIDENTIAL

This drawing is the property of Rev-A-Shelf LLC (RAS) and is disclosed in confidence to the extent its subject matter is original to RAS. Any vendor receiving this drawing from RAS shall hold and use this drawing for the sole benefit of RAS and shall not disclose it to, or use or reproduce it for any third party, or perform any act adverse to the interest of RAS with respect to this drawing without the express written permission of RAS. Vendors shall not revise any physical, dimensional or performance characteristic unless authorized by Rev-A-Shelf Engineering.

REV	DATE	BY	DESCRIPTION OF CHANGE

UNLESS OTHERWISE SPECIFIED:		
TOLERANCES = INCH/(MM)		
MAT. DEC.		
(WOOD) .XX +/- .03 [.8mm]		
(OTHER) .XX +/- .02 [.5mm]		
(ALL) .XXX +/- .005 [.13 mm]		
FRACTIONS +/- 1/32 [.8 mm]		
ANGLES +/- 1/2°		
First Angle Projection		
MATERIAL	FINISH	
DO NOT SCALE DRAWING	NAME	DATE
DRAWN	KRR	1-22-24

Description:		
2-TIER PULLOUT SOLID BOTTOM ORGANIZER LEFT DOOR/BLIND RIGHT		
PART NO. 587-18-LMP		
SIZE	DWG. NO.	REV
B	587-18-LMP	
SCALE: 1:5	WEIGHT:	SHEET 3 OF 3

4

3

2

1

B

B

A

A