

4

3

2

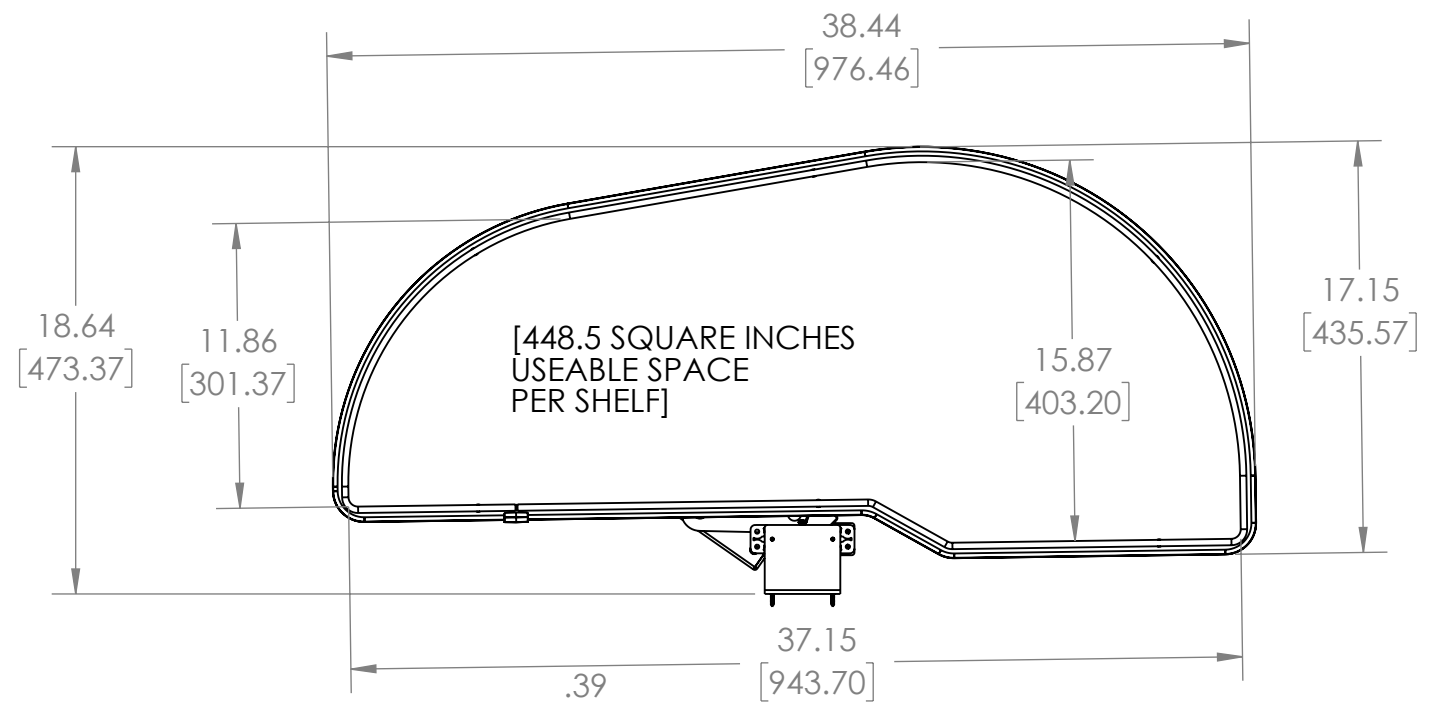
1

B

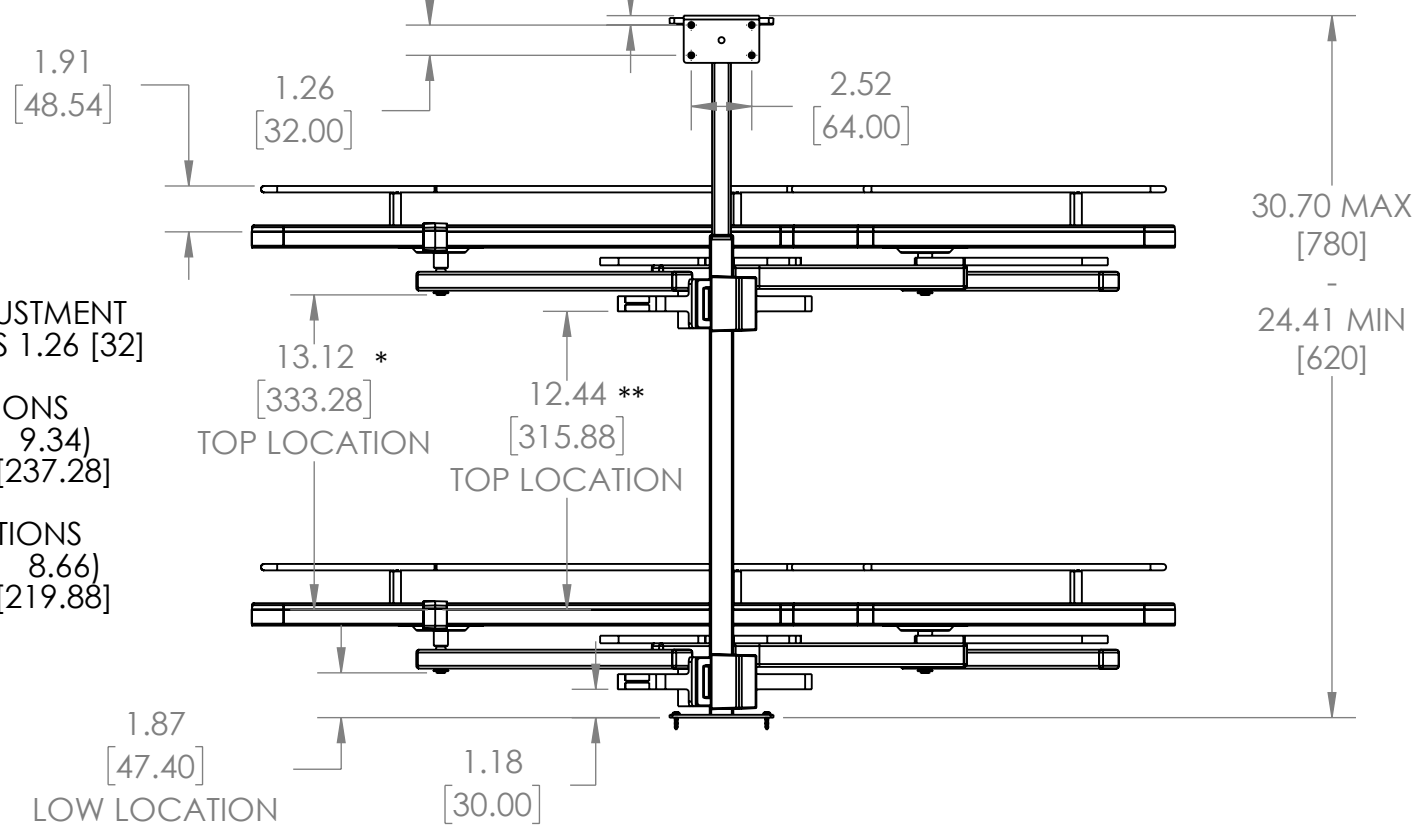
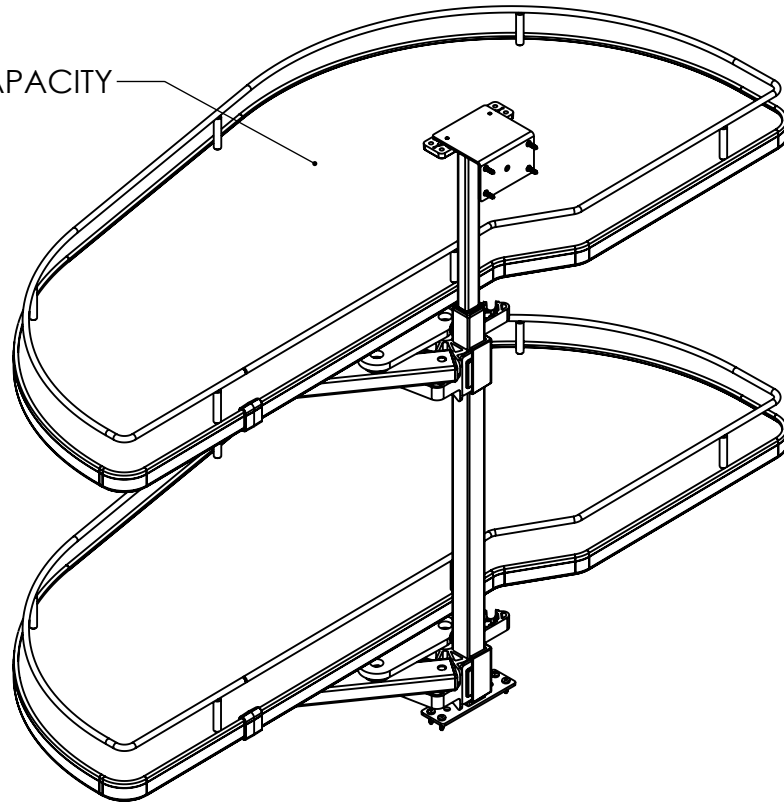
B

A

A



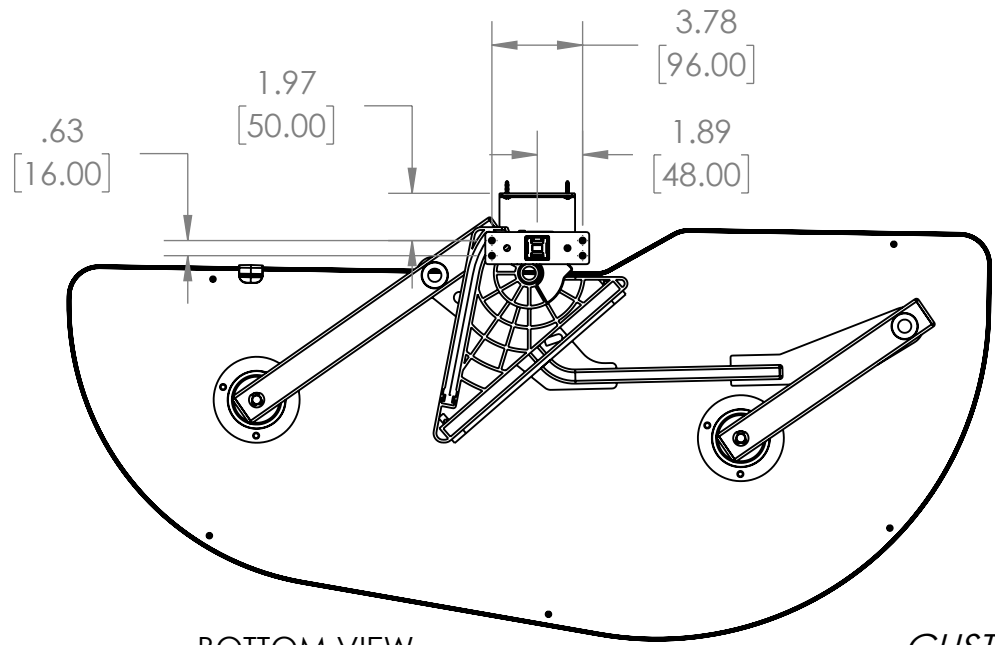
33 POUNDS (PER SHELF) CAPACITY



NOTE: SHELF ADJUSTMENT SPACING IS 1.26 [32]

\* (LOWER LOCATIONS 11.86, 10.60, 9.34) [301.28][269.28][237.28]

\*\* (LOWER LOCATIONS 11.18, 9.92, 8.66) [283.88][251.88][219.88]



BOTTOM VIEW

CUSTOMER DRAWING

UNCONTROLLED IF PRINTED

REV-A-SHELF

PROPRIETARY AND CONFIDENTIAL This drawing is the property of Rev-A-Shelf LLC (RAS) and is disclosed in confidence to the extent its subject matter is original to RAS. Any vendor receiving this drawing from RAS shall hold and use this drawing for the sole benefit of RAS and shall not disclose it to, or use or reproduce it for any third party, or perform any act adverse to the interest of RAS with respect to this drawing without the express written permission of RAS. Vendors shall not revise any physical, dimensional or performance characteristic unless authorized by Rev-A-Shelf Engineering.

REV	DATE	BY	DESCRIPTION OF CHANGE

UNLESS OTHERWISE SPECIFIED:		Description:	
TOLERANCES = INCH/(MM) MAT. DEC. (WOOD) .XX +/- .03 [.8mm] (OTHER) .XX +/- .02 [.5mm] (ALL) .XXX +/- .005 [.13 mm] FRACTIONS +/- 1/32 [.8 mm] ANGLES +/- 1/2°		2-TIER PULLOUT SOLID BOTTOM ORGANIZER RIGHT DOOR/BLIND LEFT	
First Angle Projection		PART NO. 587-18-RMP	
MATERIAL	FINISH	SIZE	DWG. NO.
DO NOT SCALE DRAWING	NAME	DATE	REV
DRAWN	KRR	1-22-24	587-18-RMP
SCALE: 1:8		WEIGHT:	SHEET 1 OF 3

4

3

2

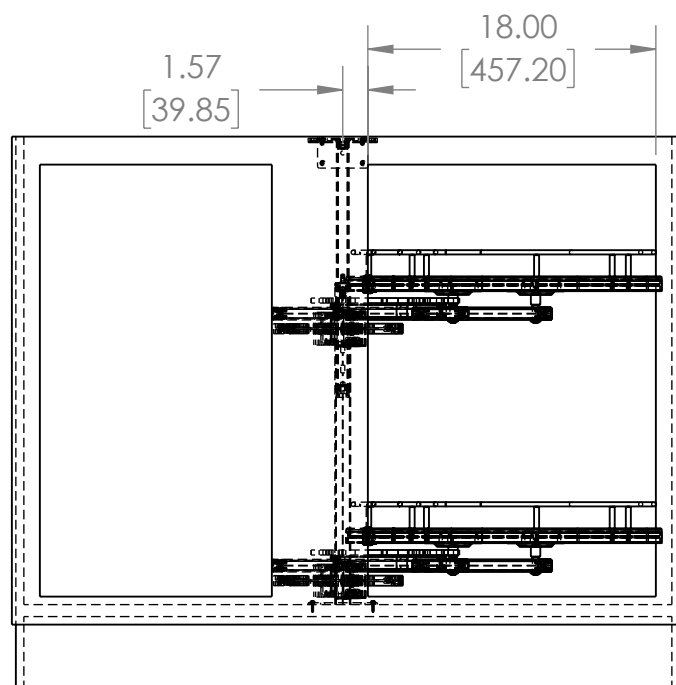
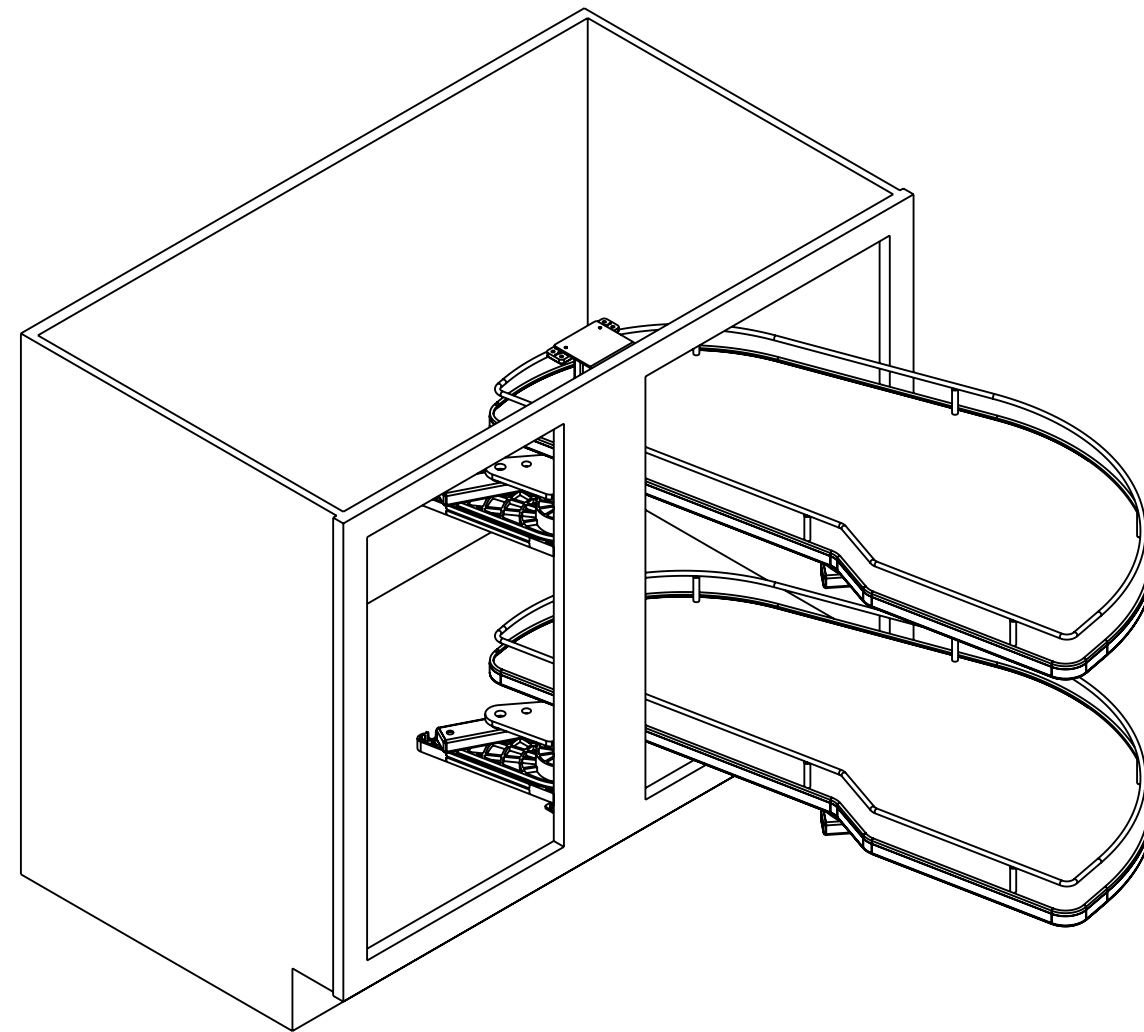
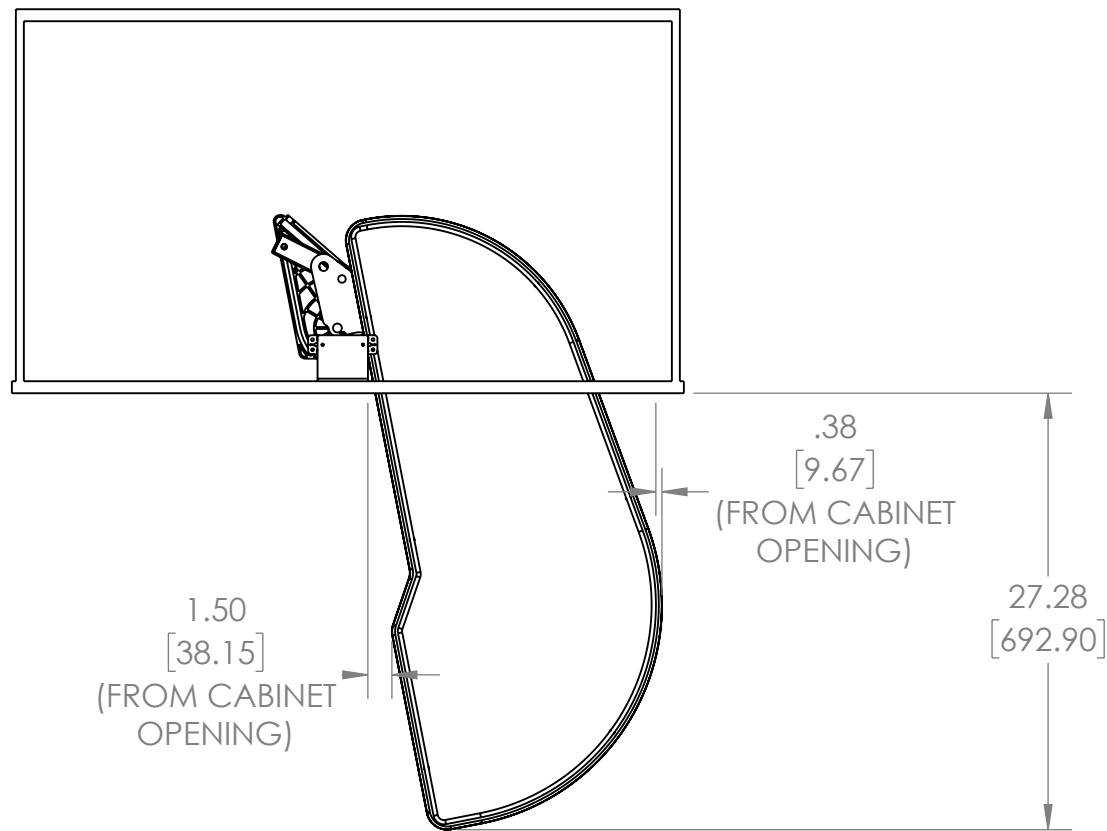
1

4

3

2

1



CUSTOMER DRAWING

UNLESS OTHERWISE SPECIFIED:		Description:	
TOLERANCES = INCH/(MM) MAT. DEC. (WOOD) .XX +/- .03 [.8mm] (OTHER) .XX +/- .02 [.5mm] (ALL) .XXX +/- .005 [.13 mm] FRACTIONS +/- 1/32 [.8 mm] ANGLES +/- 1/2°		2-TIER PULLOUT SOLID BOTTOM ORGANIZER RIGHT DOOR/BLIND LEFT	
First Angle Projection		PART NO. 587-18-RMP	
MATERIAL	FINISH	SIZE	DWG. NO.
DO NOT SCALE DRAWING	NAME	DATE	REV
DRAWN	KRR	1-22-24	587-18-RMP
SCALE: 1:12		WEIGHT:	
SHEET 2 OF 3			



**PROPRIETARY AND CONFIDENTIAL**  
 This drawing is the property of Rev-A-Shelf LLC (RAS) and is disclosed in confidence to the extent its subject matter is original to RAS. Any vendor receiving this drawing from RAS shall hold and use this drawing for the sole benefit of RAS and shall not disclose it to, or use or reproduce it for any third party, or perform any act adverse to the interest of RAS with respect to this drawing without the express written permission of RAS. Vendors shall not revise any physical, dimensional or performance characteristic unless authorized by Rev-A-Shelf Engineering.

UNCONTROLLED IF PRINTED

REV	DATE	BY	DESCRIPTION OF CHANGE

4

3

2

1

B

B

A

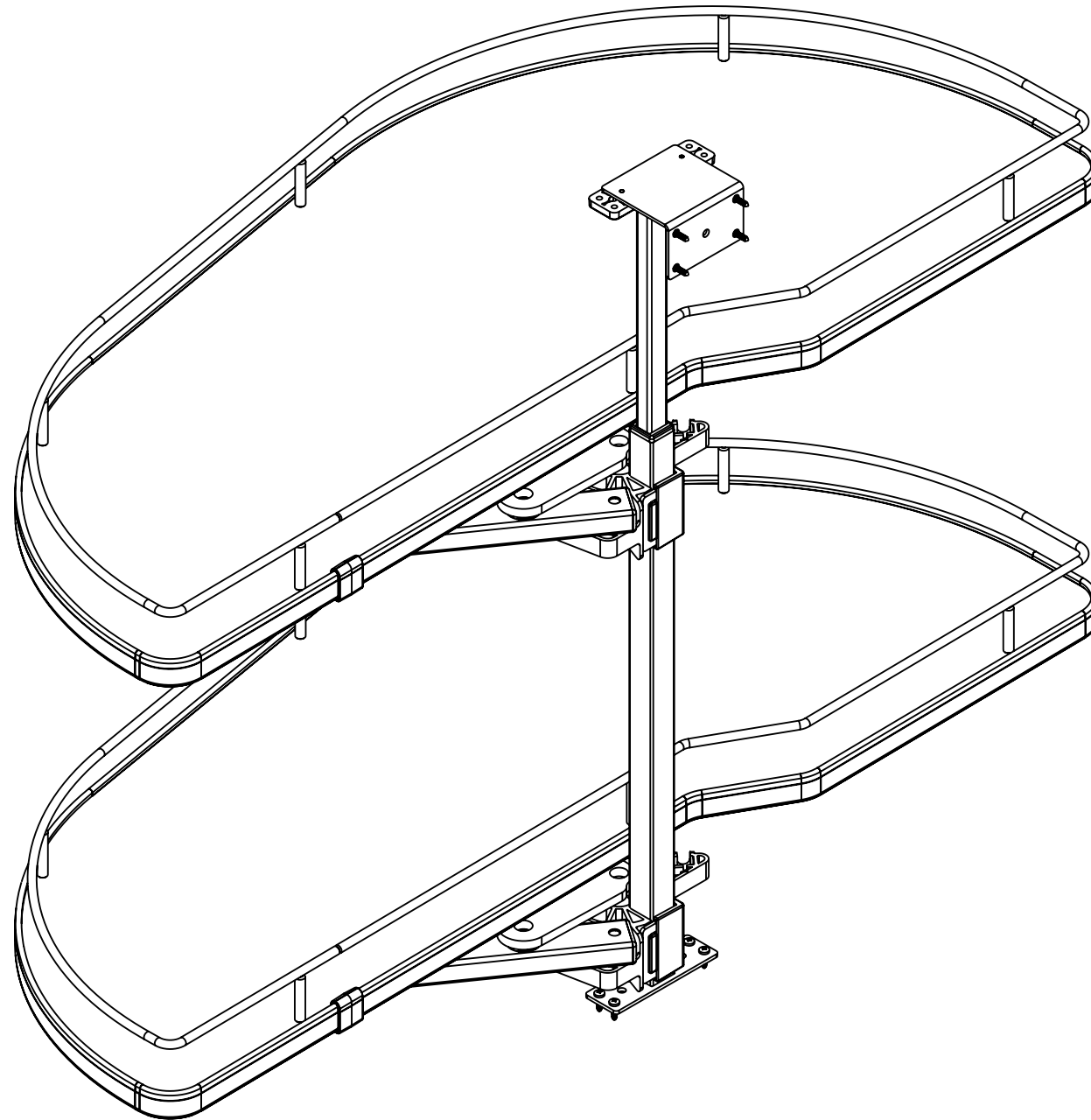
A

4

3

2

1



PART DIMENSIONS	
WIDTH	38.44 [976.46]
DEPTH	18.64 [473.37]
HEIGHT	24.41 [620] MIN.

MIN CABINET OPENING				
	FACE FRAME	FRAMELESS	INSET FACE FRAME	INSET FRAMELESS
WIDTH	18.00 [457.2]	199.50 [495.3]	18.00 [457.2]	19.50 [495.3]
DEPTH	23.00 [584.2]	23.00 [584.2]	23.00 [584.2]	23.00 [584.2]
HEIGHT *	19.37 [492]	19.37 [492]	19.37 [492]	19.37 [492]

\* WITH TOP SHELF IN THE LOWEST POSITION

CUSTOMER DRAWING

**UNCONTROLLED IF PRINTED**



**PROPRIETARY AND CONFIDENTIAL**  
 This drawing is the property of Rev-A-Shelf LLC (RAS) and is disclosed in confidence to the extent its subject matter is original to RAS. Any vendor receiving this drawing from RAS shall hold and use this drawing for the sole benefit of RAS and shall not disclose it to, or use or reproduce it for any third party, or perform any act adverse to the interest of RAS with respect to this drawing without the express written permission of RAS. Vendors shall not revise any physical, dimensional or performance characteristic unless authorized by Rev-A-Shelf Engineering.

REV	DATE	BY	DESCRIPTION OF CHANGE

UNLESS OTHERWISE SPECIFIED:		Description:	
TOLERANCES = INCH/(MM) MAT. DEC. (WOOD) .XX +/- .03 [.8mm] (OTHER) .XX +/- .02 [.5mm] (ALL) .XXX +/- .005 [.13 mm] FRACTIONS +/- 1/32 [.8 mm] ANGLES +/- 1/2°		2-TIER PULLOUT SOLID BOTTOM ORGANIZER RIGHT DOOR/BLIND LEFT	
First Angle Projection		PART NO. 587-18-RMP	
MATERIAL	FINISH	SIZE	DWG. NO.
DO NOT SCALE DRAWING	NAME	<b>B</b>	587-18-RMP
DRAWN	KRR	DATE	REV
1-22-24		SCALE: 1:5	WEIGHT:
			SHEET 3 OF 3

4

3

2

1

B

A