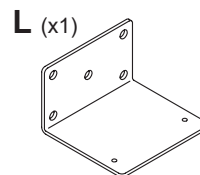
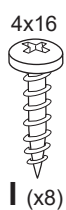
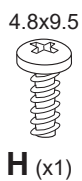
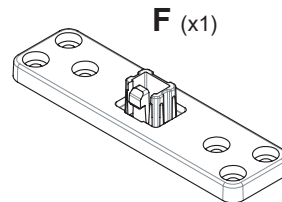
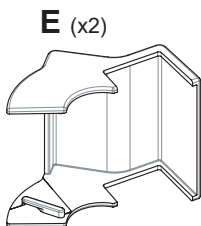
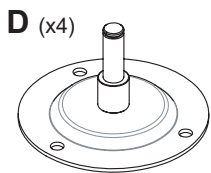
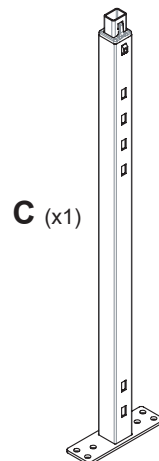
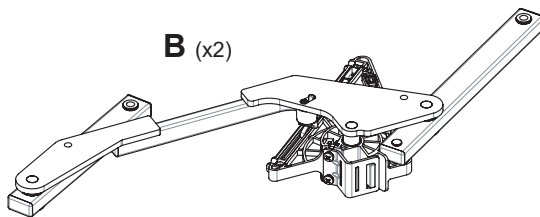
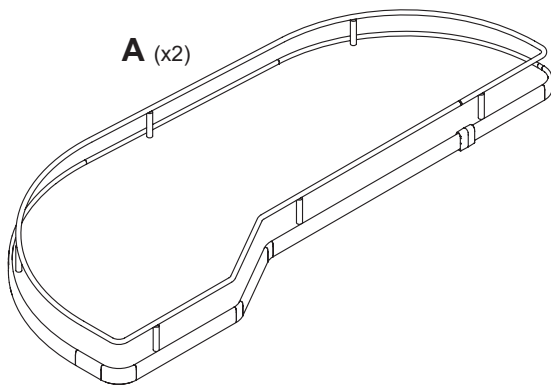
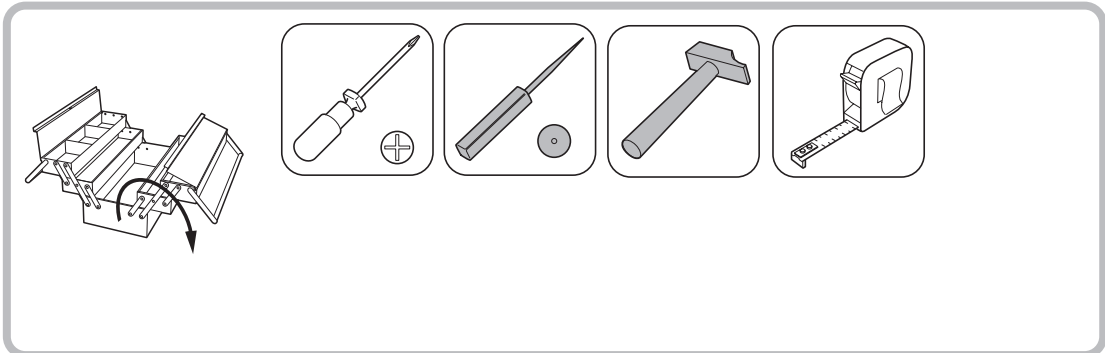
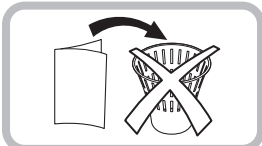
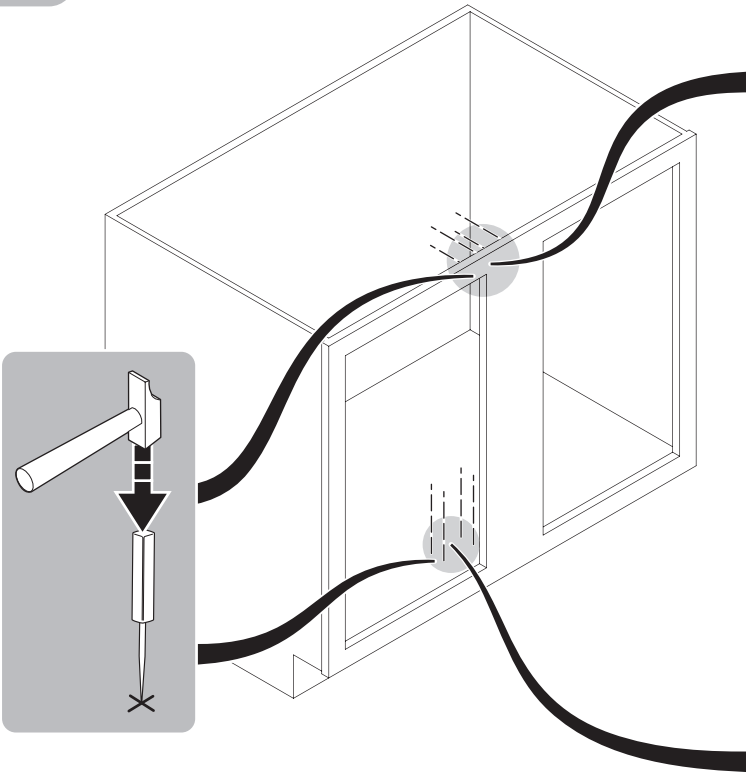


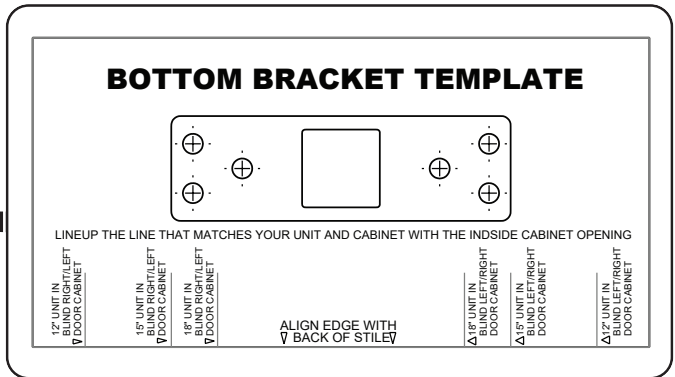
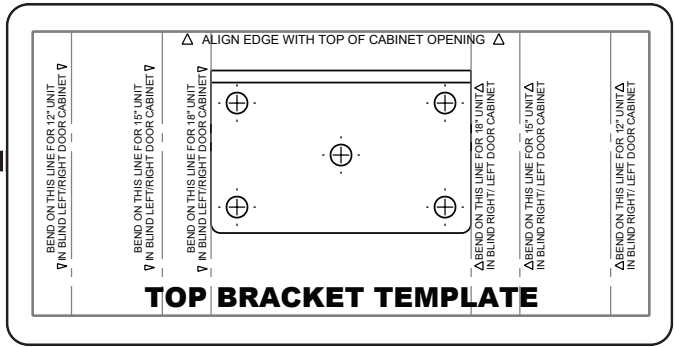
A30ISTR1226 12/2023



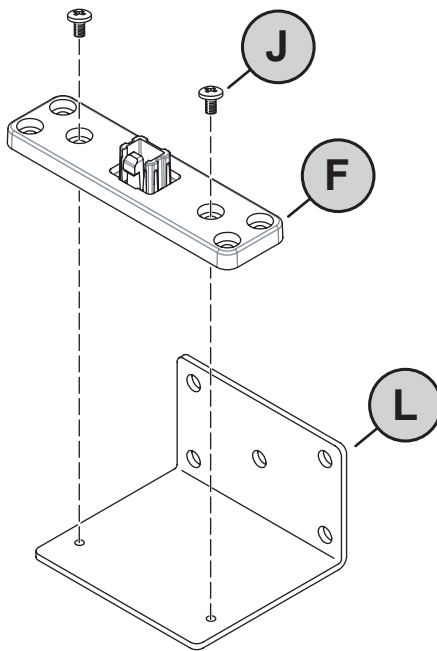
1



*Frameless applications use frameless template to ensure clearance of hinge/door.



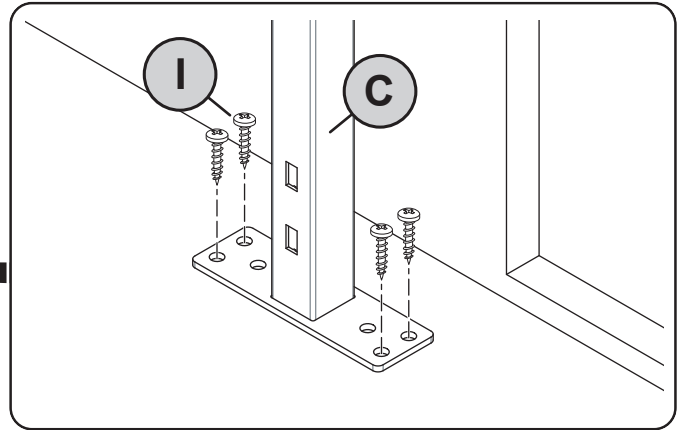
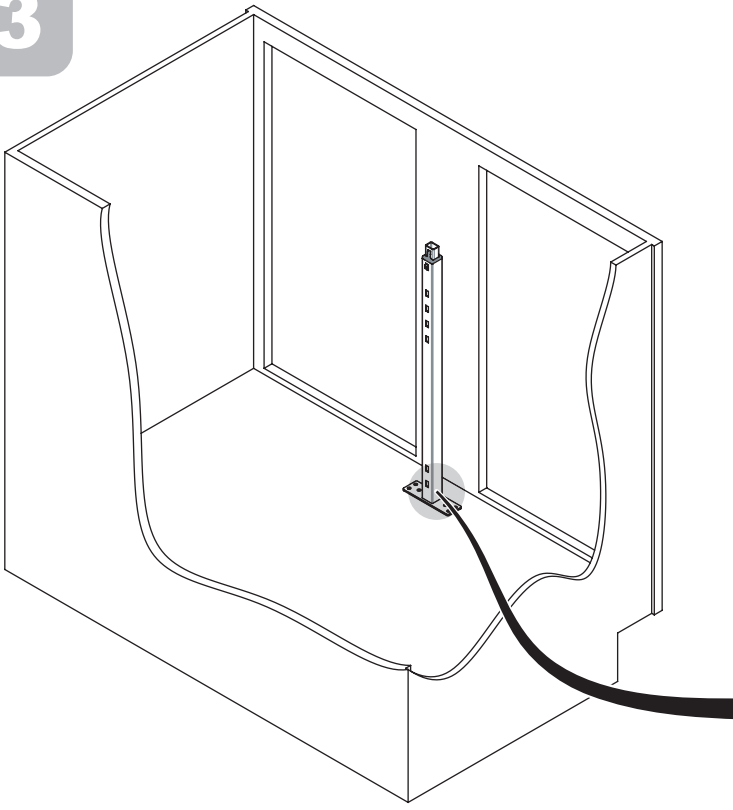
2



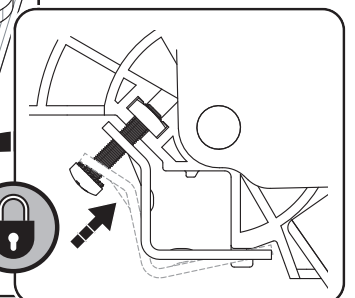
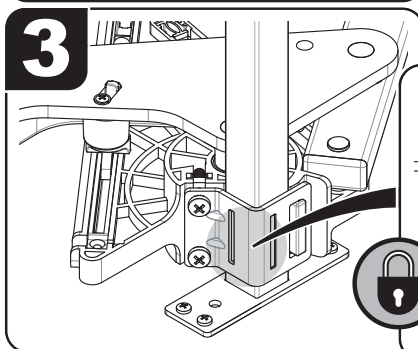
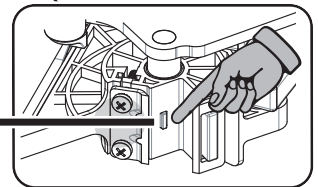
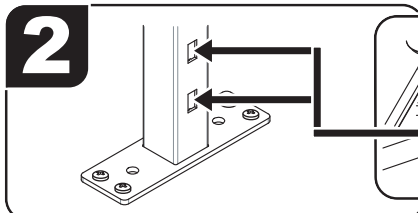
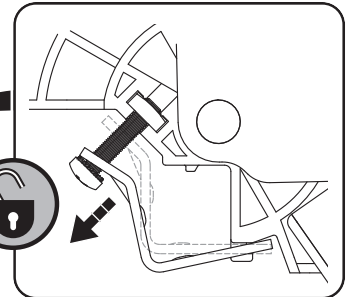
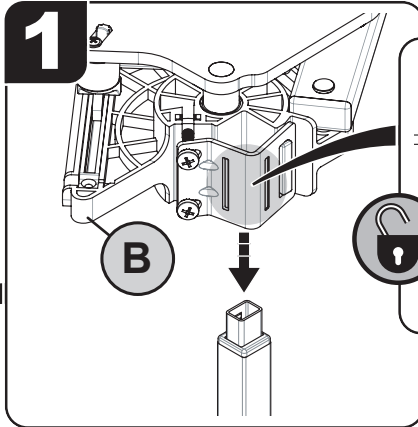
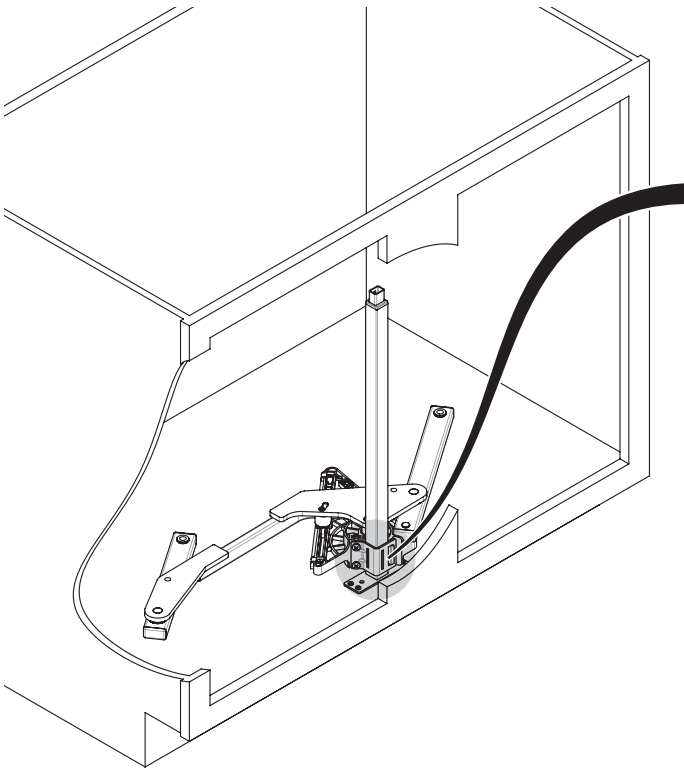
*Skip this step if using frameless template. Attach the Top Post Bracket (F) directly to top of cabinet in step 6, omitting post support bracket (Part L).

2

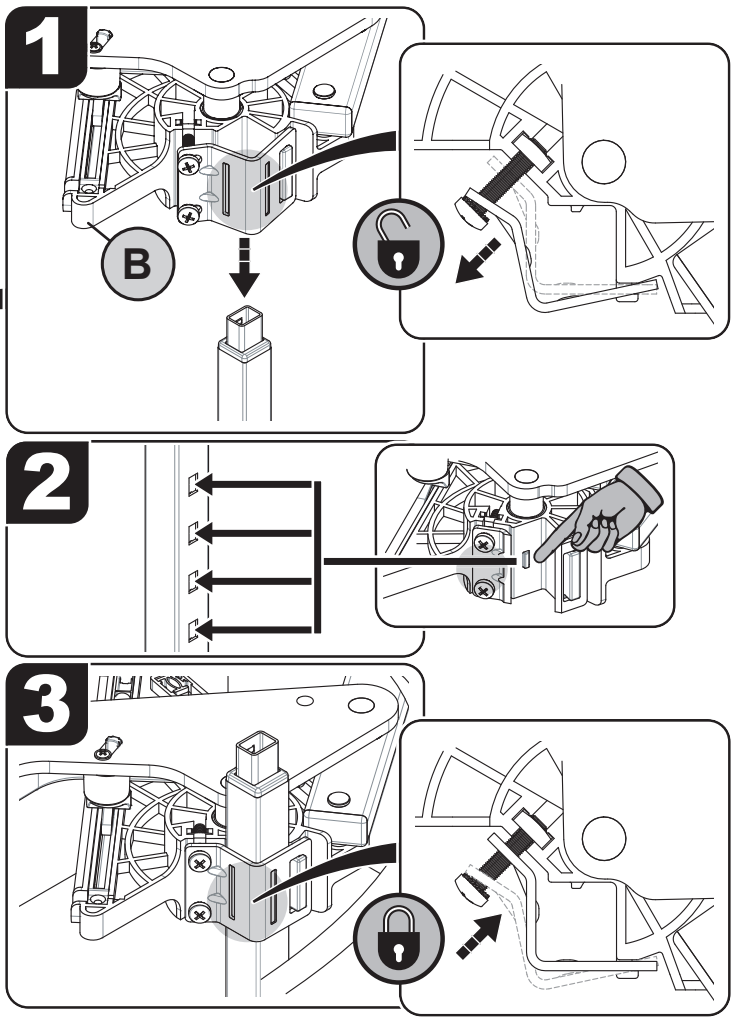
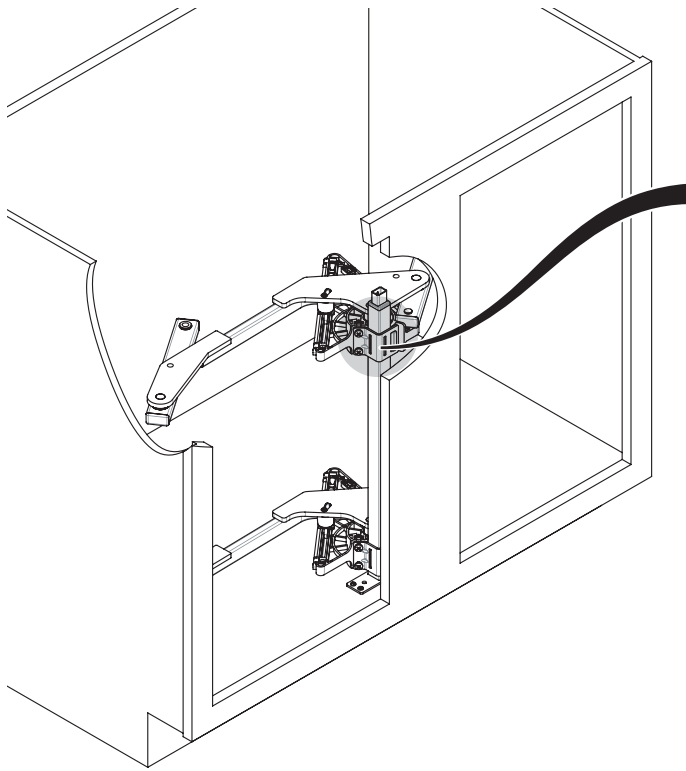
3



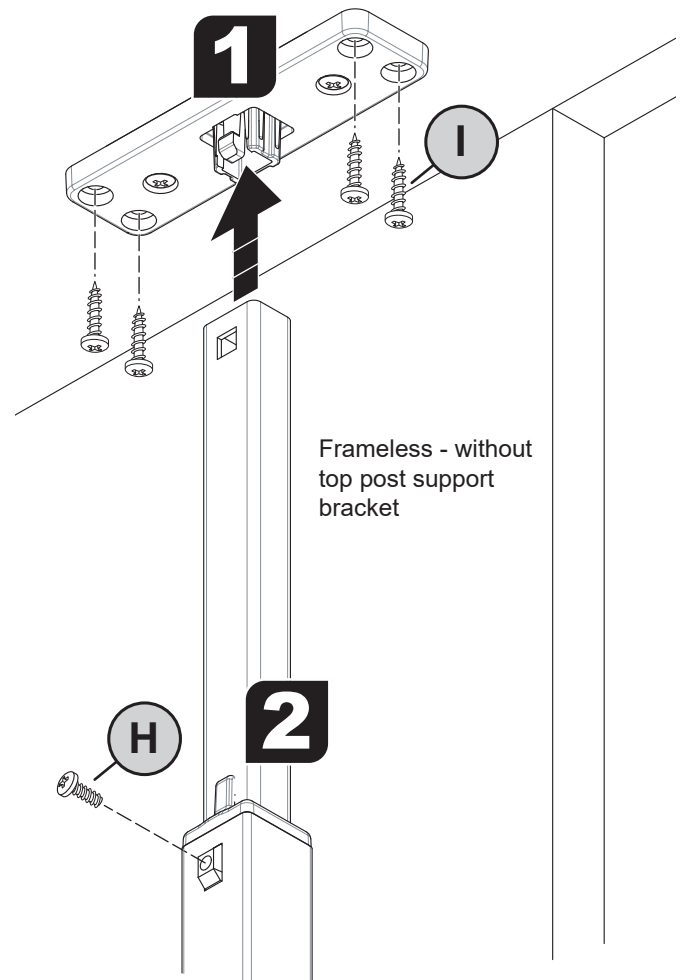
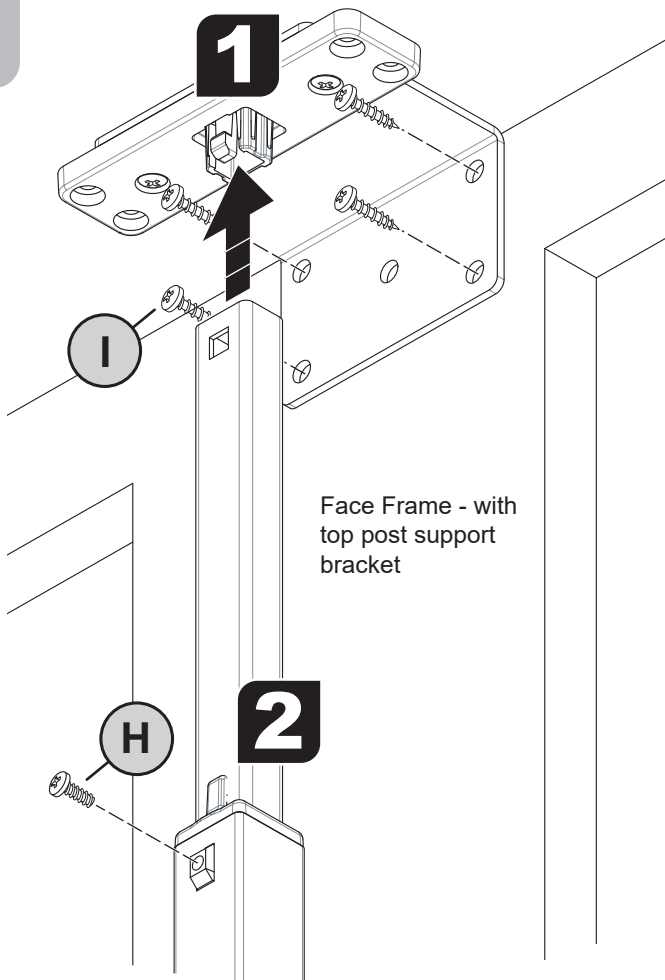
4



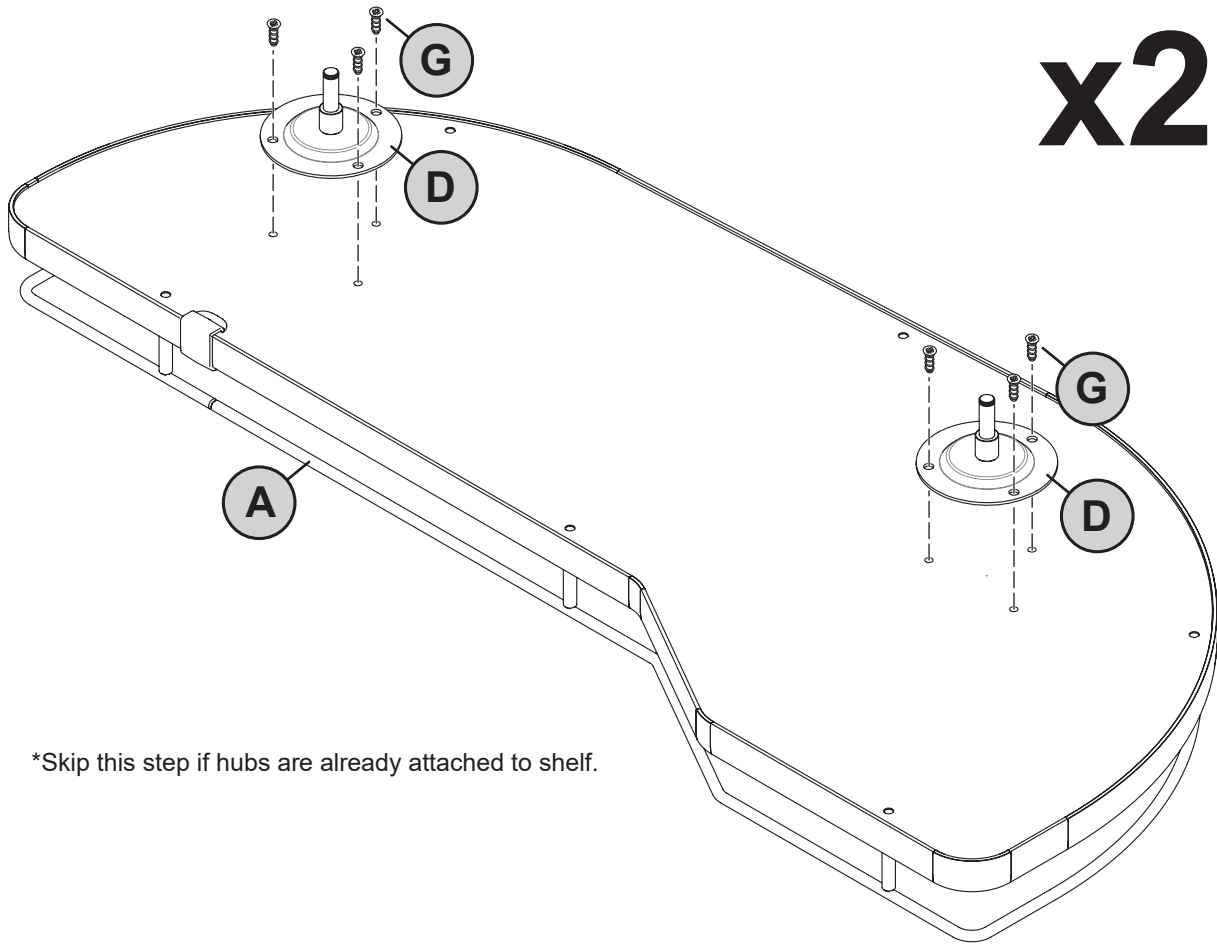
5



6

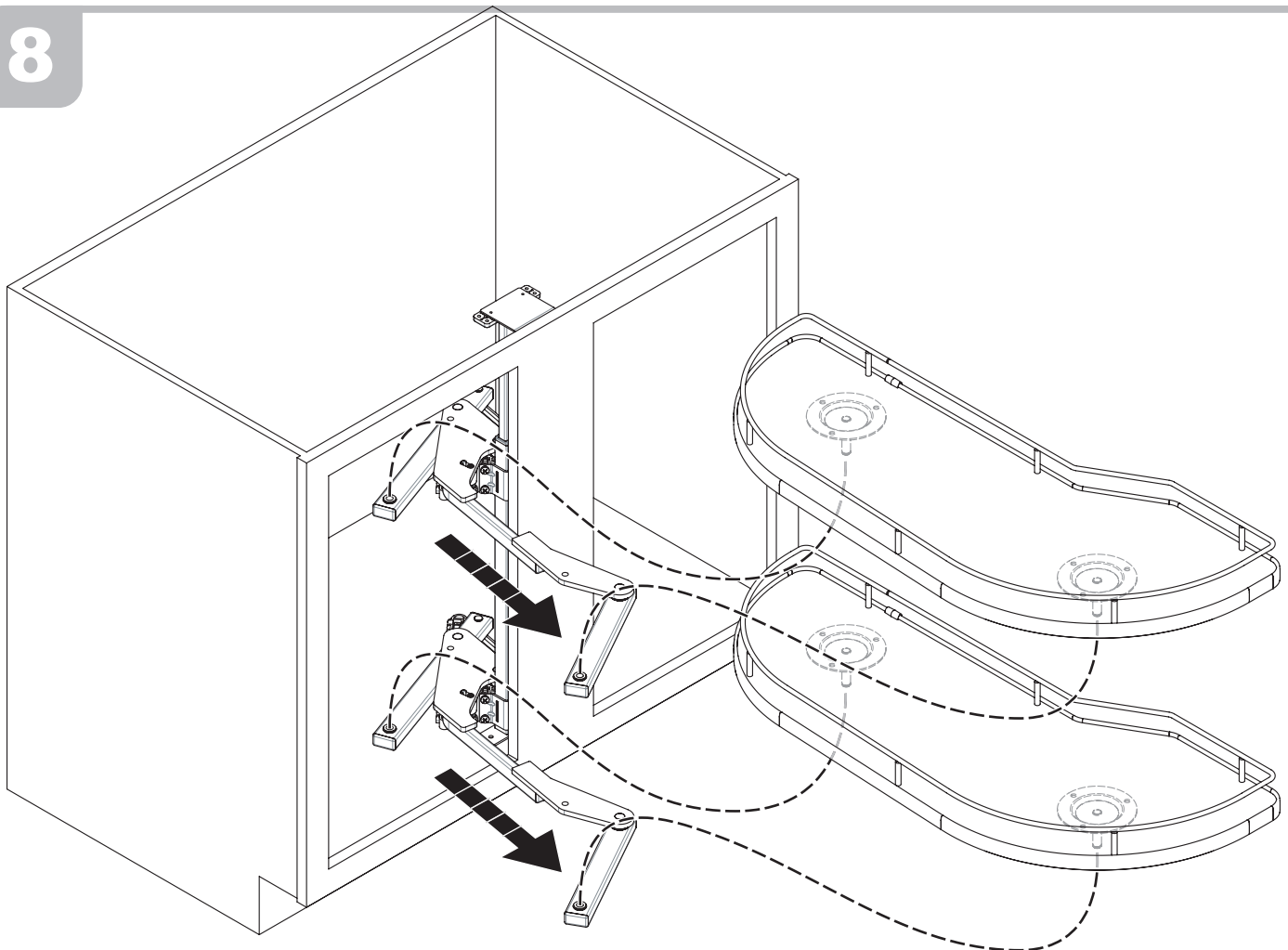


7

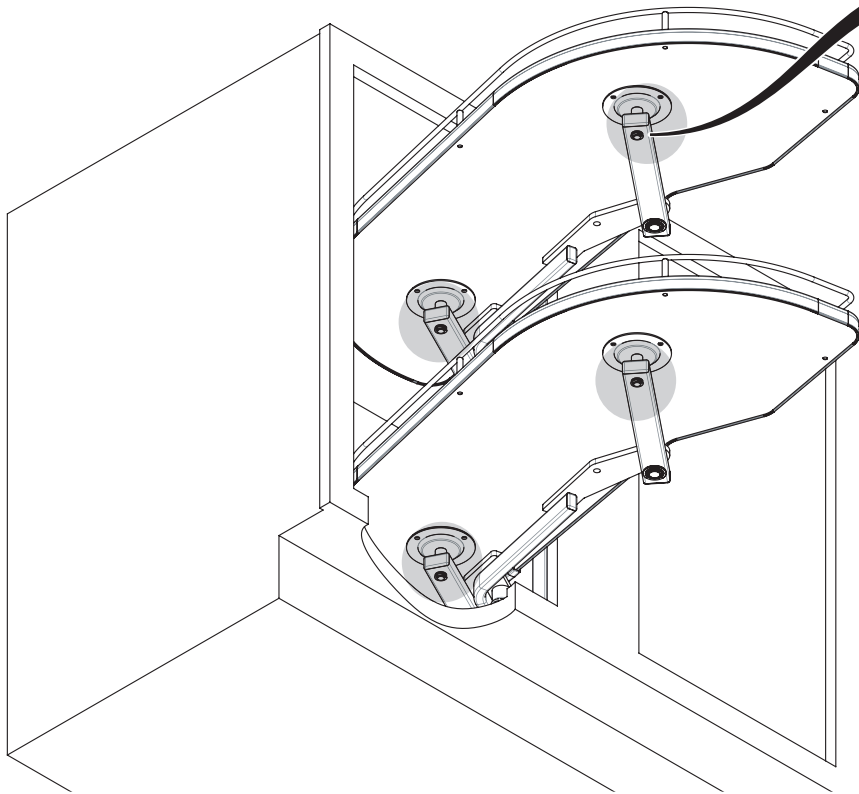


*Skip this step if hubs are already attached to shelf.

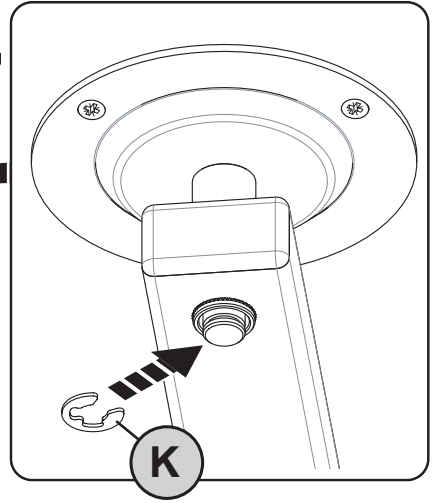
8



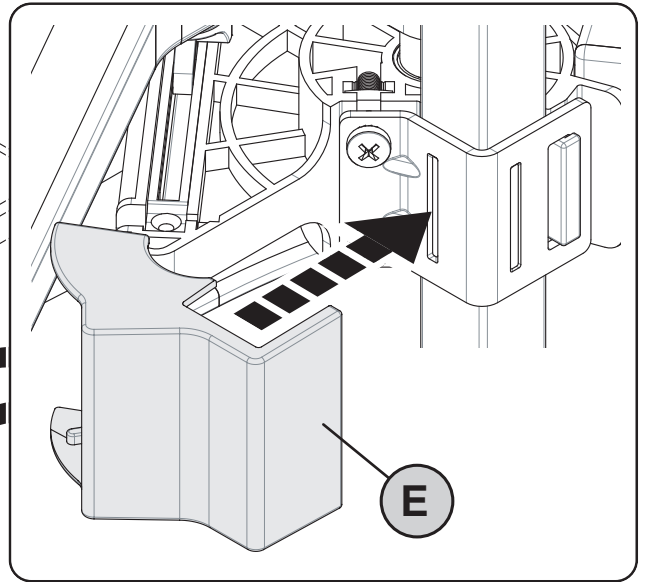
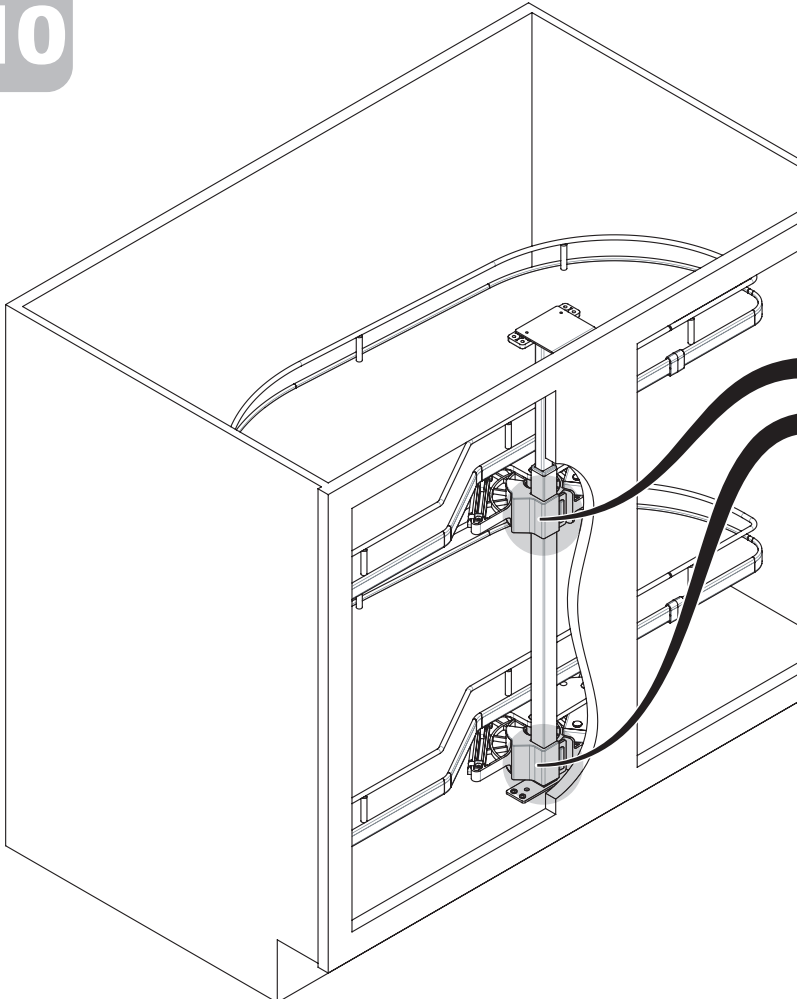
9



x4



10



A large rectangular area with rounded corners, containing 25 horizontal lines for writing.

A large rectangular area with rounded corners, containing 25 horizontal lines for writing.